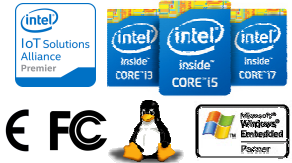


PEDA-S1230

12" 5-wire Resistive Touch and Modularized Fan-free Panel PC with 1xPCIe Expansion Support
Powered by Intel® Haswell ULT SoC Processors



Introduction

Portwell's PEDA Touch Panel PC sets a new standard for solutions in panel system. By adopting Intel® Haswell ULT SoC processors, the system provides great computing power while remain not only low power consumption but also value-optimized pricing. Equipped with a 12" 5-wire resistive touch and a high resolution, high brightness screen, PEDA-S1230 can create excellent users' experience. Perfect thermal dissipation and a truly rugged chassis with an IP65 aluminum bezel allows the system to operate in harsh industrial environments; also, thanks to plentiful expansion modules and I/O interfaces, it can be used for a variety of purposes. In conclusion, PEDA-S1230 is a well-integrated and flexible system working reliably even in extreme conditions, making it an ideal platform for machine control system, factory automation, indoor/outdoor POS, etc.

Specification

Display	
LCD Size	12"
Resolution	XGA 1024 x 768
Brightness	500 cd/m ²
Contrast Ratio	700:1
Backlight	LED type
Touch Screen	True Flat 5-Wire Resistive Single Touch (P-CAP Touch by project)
System	
SOC	Intel® Celeron™ 2980U & Intel® Core™ i5-4300U
Memory	2 x DDR3L SO-DIMM 1333-1600 MHz max up to 16GB
BIOS	AMI
Graphics	Intel® HD Graphics 4400
LVDS	Single/Dual Channel 24-bit
LAN Chip	Intel® WG1210AT Gigabit Ethernet Intel® WG1218LM Gigabit Ethernet (Support iAMT)
Audio Chip	Realtek High Definition Audio Codec
Watchdog Timer	1~255 levels reset
Storage Device	2.5" SATA HDD / SSD, mSATA device, CFEX up to 128GB
OS	Windows 7 / Windows 8 / Linux™
I/O Interface	
Series Port	3 x RS-232 ports, 1 x RS-232/422/485
Display	1 x HDMI port, 1 x Display Port
USB	2 x USB 2.0, 2 x USB 3.0
Ethernet	2 x Gigabit Ethernet
Others	2 x SMA Antenna hole for WiFi/3G Solution
Expansion	1 x Half size PCIe expansion slot, 1x Full size Mini PCIe socket, 1x Half size Mini PCIe socket with mSATA support
Mechanical	
Mounting (mm)	VESA Mount 100 x 100 ; Panel Mount
Weight (Kg)(N)	5 kg
Weight (Kg)(G)	8 kg
Dimension	307.02 x 253.24 x 117.96 mm
Power	
Power Supply	1 x DC 12 ~ 24V input by lockable DC Jack 1 x DC 12 ~ 24V input with 3-pin Terminal Block Connector
Power Consumption	Work without PCIe card: 32.4W (Max); Idle: 22W; Sleep: 3.5W
Power Adaptor	12V, 10A/120W(Optional); 12V, 7.5A/ 90W(Optional)
Environmental	
OP /Storage Temp	0~50 °C / -20~60°C (20~90% non-condensing)
Vibration	1.0G (CFEX) and 0.5G (HDD) , Power on & 2.16G, Packaged : 5~500Hz
Shock	15G peak acceleration, 11 ms (Power on condition)
Drop	Package with Carton from 96.5 cm (1-Corner, 3-Axis, 6-Face)
Front Panel Protection	IP65 (Front) / IP20 (Rear) (IEC 60529 Edition 2.1 Standard)
Certification	CE/FCC Class A

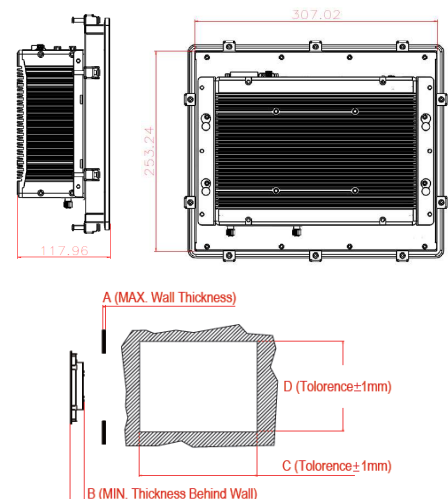
Rear I/O View



Features

- Options for different Panel Size
- True Flat 5-wire resistive Touch (P-CAP Touch by project)
- Multiple Storage support with 2.5" HDD/SSD, CFEX, and mSATA device
- Flexible PCIe Expansion module
- Rich I/O for versatile applications
- Support Panel mount and VESA mount 100x100
- Dual Power Input with wide DC range (12~24V)
- Wide Operating temperature (0~50°C)
- Rugged Aluminum front bezel and Fan-free design
- IP65 (front)/ IP20 (rear)/ CF & FCC Class A
- 2 x Antenna holes for Wifi & 3G/GPS options

Outline/Cut-out Dimension



Model Name	A (mm)	B (mm)	C (mm)	D (mm)	Kit
PEDA-S1230	<10	118	310	256.3	X 10