

PCM-24S34G

LTE/HSPA+/GPRS and GPS,
Full-size mPCIe, 4G/GPS antennas,
for EMEA/Australia and Americas regions

NEW



Features

- Meets Advantech iDoor Technology Standard
- PCI Express® Mini Card Specification Revision 1.2 compliant
- Supports B1/B2/B3/B4/B5/B7/B8/B13/B17/B20/B25 for LTE network
- Supports B1/B2/B4/B5/B8 for UMTS/HSPA+ network
- Supports 850/900/1800/1900 MHz for EDGE/GPRS/GSM network
- Supports GPS location function
- Operating temperature: -40 ~ 85°C (-40 ~ 185°F)
- Supports 32/64-bit Windows 7/8.1/10, Linux Ubuntu 14.04
- Supports Embedded Automation PC UNO-2300/2400 series
- Supports Control DIN-Rail PC UNO-1200/1300/1400 series
- Supports Control Cabinet PC UNO-3200 series

* For UNO-2200 series, contact Advantech for more ordering information

Introduction

The PCM-24 series are communication modules from Advantech iDoor Technology. They are all compatible with PCI Express® Mini Card Specification Revision 1.2, including isolated / non-isolated RS-232/422/485 communication cards for automation control, Wi-Fi/3G/GPS/GSM/LTE wireless communication models for data exchange for management and machine level automation applications; and PoE function for smart cameras in detection-inspection-production applications. This is a flexible design that enables customers to customize their features with iDoor Technology.

Specifications

General

- Form Factor** PCI Express Mini Card Revision 1.2
- Interface** USB
- Certification** PCM-24S34G-AAE: FCC, PTCRB, NCC
PCM-24S34G-EAE: CE, GCF, NCC, FCC
- Dimensions** Module: 51 x 30 x 12.4 mm (2" x 1.18" x 0.49")
I/O Plate: 81 x 19.4 x 41 mm (3.19" x 0.76" x 1.61")
- Power Consumption** 3.3 V / 950 mA (Max)
- SMA Cable** Coaxial GSM/ GPS cable, 250 mm

Communication

Model Name	PCM-24S34G-EAE	PCM-24S34G-AAE
Communication	Bands	
LTE	Band 1 (2100 MHz) Band 3 (1800 MHz) Band 7 (2600 MHz) Band 8 (900 MHz) Band 20 (800 MHz)	Band 2 (1900 MHz) Band 4 (1700/2100 MHz) Band 5 (850 MHz) Band 13 (700 MHz) Band 17 (700 MHz) Band 25 (1900 MHz)
UMTS (WCDMA) HSPA+	Band 1 (2100 MHz) Band 2 (1900 MHz) Band 5 (850 MHz) Band 8 (900 MHz)	Band 1 (2100 MHz) Band 2 (1900 MHz) Band 4 (1700/2100 MHz) Band 5 (850 MHz) Band 8 (900 MHz)
CDMA	N/A	BC 0/1/10
GSM/GPRS/EDGE	850/900/1800/1900 MHz	
Data rates (LTE)	Maximum Downlink: 100 Mbps Maximum Uplink: 50 Mbps	

Antenna

- 4G Antenna Frequency** 700 ~ 960 MHz, 1710 ~ 2700 MHz
- 4G Antenna Length** 167 mm
- GPS Antenna Frequency** 1575.42 ± 5 MHz
- GPS Antenna Cable Length** 500 mm

Software

- OS Support** Microsoft® Windows® 7/8.1/10,
Linux Ubuntu 14.04

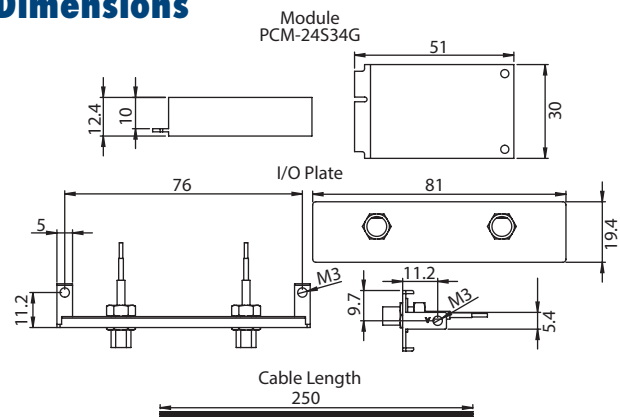
Environment

- Humidity (Operating)** 5-95% RH, non-condensing
- Operating Temperature** -40 ~ 85°C (-40 ~ 185°F)

Regulation

PCM-24S34G employs Sierra Wireless MC-7304/7354 module and corresponds to its regulation.

Dimensions



Ordering Information

- PCM-24S34G-EAE** Sierra MC7304 LTE/HSPA+/GPS, mPCIe, antennas, for EMEA/Australia
- PCM-24S34G-AAE** Sierra MC7354 LTE/HSPA+/GPS, mPCIe, antennas, for Americas