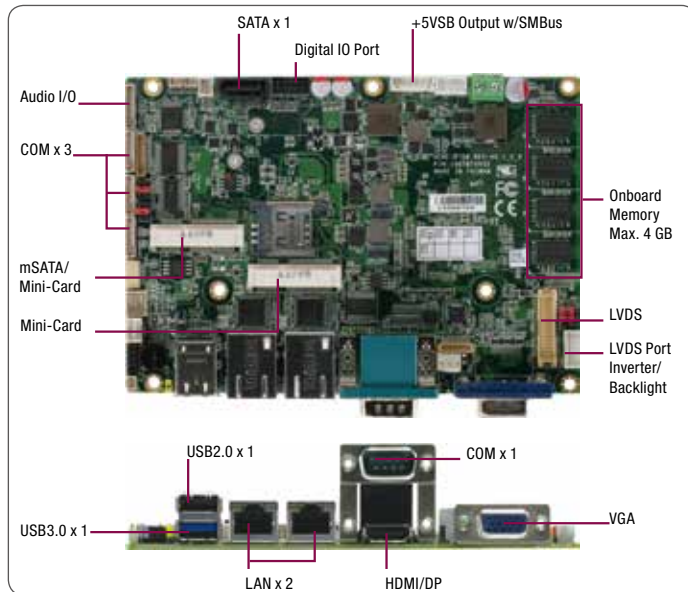


GENE-BT06

3.5" SubCompact Board with Intel® Atom™ and Celeron® Processor SoC



Specifications

System	
Form Factor	3.5"
Processor	Intel® Atom™ and Celeron® Processor SoC
System Memory	Onboard memory Max. 4 GB
Chipset	Intel® Atom™ and Celeron® Processor SoC
I/O Chipset	Fintek F81866
Ethernet	Intel® I211Gigabit controller, RJ-45 x 2
BIOS	SPI type
Wake On LAN	Yes
Watchdog Timer	Fintek F81866
H/W Status Monitoring	Supports power supply voltage and temperature monitoring
Expansion Interface	Mini-Card slot x 2/ SM bus / LPC interface/SIM Card Socket
Power Requirement	+12V, AT or ATX
Power Consumption (Typical)	—
Board Size	5.75" (L) x 4" (W) (146mm x 101.6mm)
Gross Weight	0.88 lb (0.4 kg)
Operation Temperature	32°F ~ 140°F (0°C ~ 60°C)
Storage Temperature	-40°F ~ 176°F (-40°C ~ 80°C)
Operation Humidity	0% ~ 90% relative humidity, non-condensing
MTBF (Hours)	—
Display	
	Supports CRT/LCD Simultaneous/Dual view display
Chipset	Intel® Atom™ and Celeron® Processor SoC
Memory	Shared memory: 512 MB/ DVMT 5.0
Resolution	VGA up to 1920 x 1200 LCD up to 1920 x 1200 (By Chrontel CH7511)
LCD Interface	18/24-bit dual channel LVDS LCD
I/O	
Storage	SATA 3.0 Gb/s x 1
Serial Port	RS-232 x 2, RS-232/422/485 x 2
USB	USB2.0 x 3, USB3.0 x 1
PS/2 Port	Keyboard x 1, Mouse x 1
Digital I/O	8-bit Digital I/O (Programmable)
Audio	MIC-In/ Line-In/ Line-out
Touch Screen	4/5/8-wire resistive Touch Screen Controller (Optional)

Features

- Intel® Intel® Atom™ and Celeron® Processor SoC
- Onboard Memory Max. 4 GB
- CRT, 18/24-bit Dual-Channel LVDS LCD, HDMI
- 2 CH Audio
- SATA 3.0 Gb/s x 1 & mSATA (co-lay with Mini-Card)
- Support 8-bit Digital I/O, USB2.0 x 3, USB3.0 x 1
- COM x 4 (RS-232 x 2, RS-232/422/485 x 4)
- Mini-Card Slot x 2 (Full Size x 1, Half-size x 1)
- +12V AT/ ATX (Supports External +5V Stand-By Power Input), wide DC Support 9~24V
- Supports TPM(Optional)
- 4/5/8-wire Resistive Touch Screen Controller (Optional)
- Solder Design For System Assembly and Thermal



Packing List

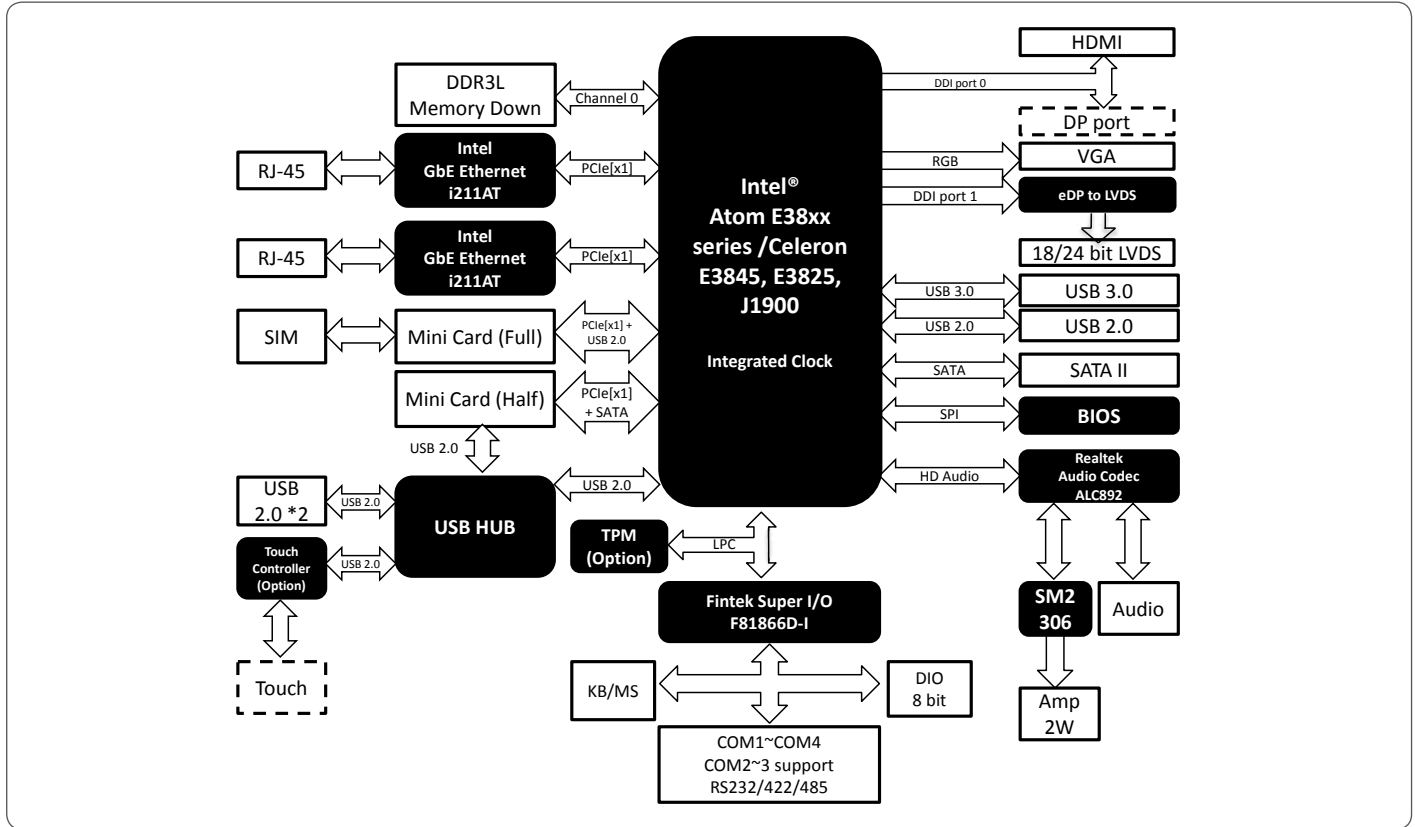
- Product DVD
- GENE-BT06 with Heatspreader

Optional Accessories

Part Number	Description	QTY
1700050207	(TF)USB CABLE.1*5P Pitch=1.25mm Housinh.20cm.for PFM-945C	2
1701090150	(TF)Flat Cable.D-Sub 9(M).9P Housing.9P 1.25mm pitch Housing.15cm	3
1709100254	(TF)PHONE JACK Cable.3P AUDIO JACK.1*10P 1.25mm HOUSING(F).25cm	1
1709070500	(TF)SATA CABLE.7P Pitch 1.27mm.50cm	1
1701260200	(TF)Flat Cable.25P D-SUB FEMALE.26P 2.00mm Pitch Housing.20cm	1
170204010R	(TF)Power Cable.Double 4P 5.08mm Housing(M).10cm	1
1702150155	(TF)Power Cable.15P SATA(F).2P 2.0mm Housing(PH).15cm	1
170220020B	(TF)Power Cable.20P ATX(M).4P 5.08mm Housing(F).+3P 2.5mm Housing(XH).20cm	1
1700060157	(TF)Cable.6P 2.0mm Housing.6P JACK W/SCREW KB&MS.15cm	1

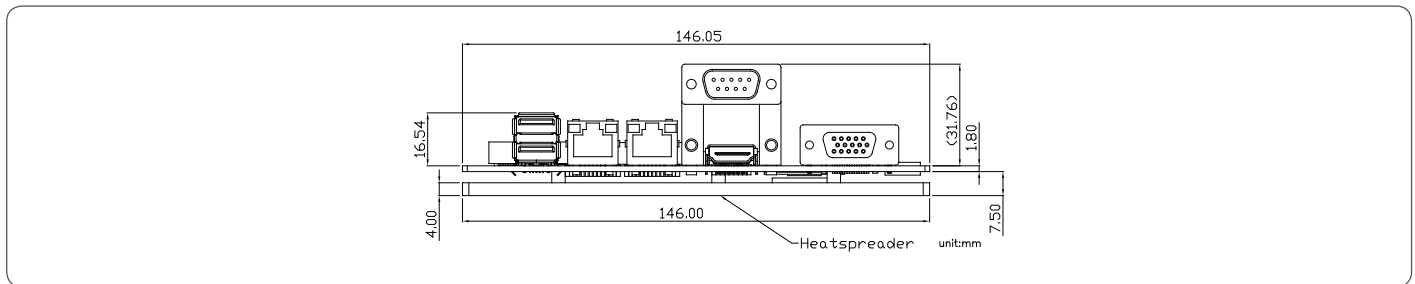
GENE-BT06

Block Diagram



Dimension

Unit: mm



Ordering Information

Part Number	CPU	Fan/ Fanless	DRAM	Display	LVDS	Storage	LAN	USB	RS-232	RS-232/422/485	Expansion Slot	Power	Power Temp	Others
GENE-BT06-A10-0001	Intel® Atom™ E3845	Fanless	Onboard 4 GB	CRT + LVDS LVDS + HDMI HDMI + CRT	24-bit, 2CH	SATA x 1 mSATA x 1 (Half-size)	GbE x 2	USB3.0 x 1 USB2.0 x 3	2	2	Mini-Card x 1 (Full) Mini-Card x 1 (Half)	+12V, AT/ATX	0°C – 60°C	Touch Controller, TPM, SIM, DIO x 8