

PPC-4150W

15.6" Fanless Wide Screen Panel PC with Intel® Atom™ D2550 Dual-Core Processor



Features

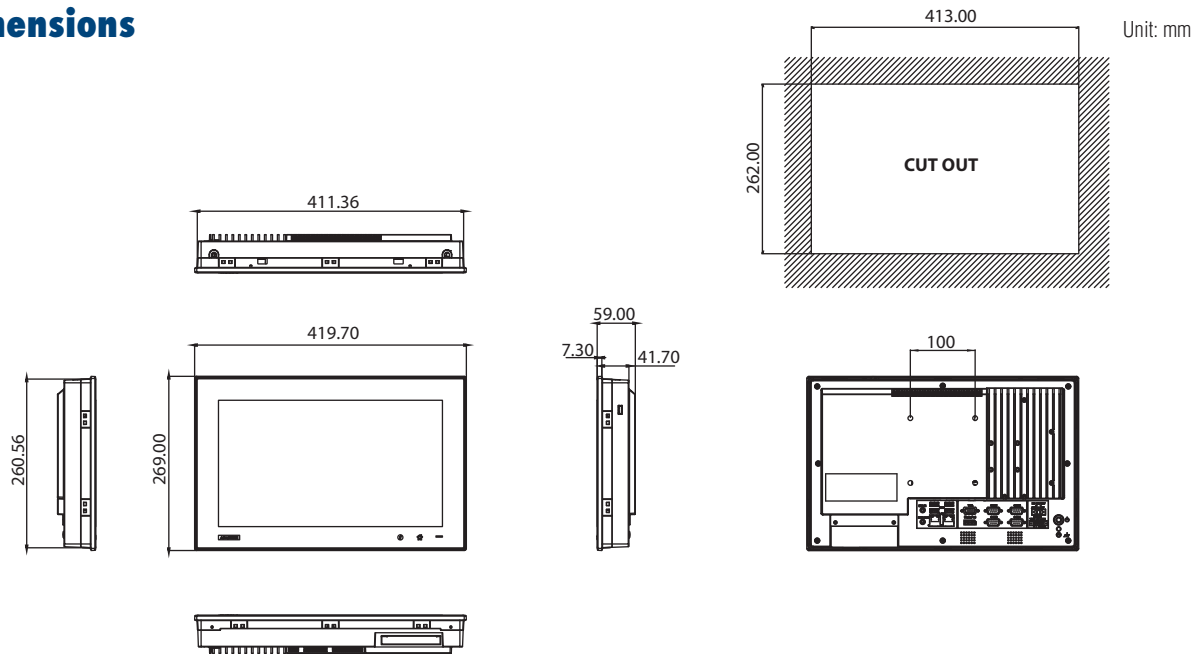
- 15.6" TFT WXGA LED entirely flat panel with projected capacitive or resistive touch touchscreens
- Fanless design and low power consumption
- Supports one internal SATA 2.5" HDD and 1 x mSATA socket
- PCI or PCIe x 1 expansion support
- Adjust RS-232/422/485 through BIOS
- Automatic data flow control over RS-485
- Wide Range DC 12-30V support
- One right side USB port
- Front panel compliant with IP65



Specifications

Processor System	CPU	Intel Atom D2550, Dual Core
	Frequency	1.86GHz
	2nd Cache	1MB
	Chipset	Intel NM10
	Memory	1 x SODIMM, DDR3 1066, Max 4 GB
	Storage	1 x 2.5" SATA Bay 1 x mSATA Bay
	Network (LAN)	2 x 10/100/1000 Mbps Ethernet
	I/O ports	4 x Serial ports: 3 x RS-232, 1 x RS-232/422/485 (Adjustable through BIOS) 5 x USB 2.0 ports (4 in Rear, 1 from right side) 1 x Line-out, 1 x Mic-in 1 x DB15 VGA 1 x DB9 GPIO port (8 pin programmable)
	Expansion	1 x Mini PCIe 1 x PCIe x 1 (Default); 1 x PCI (in the accessory box)
	Watchdog Timer	255 timer levels, set up by software
Speaker	2 x 1W	
Physical Characteristics	Dimensions	419.7 x 269 x 59 mm (16.5" x 10.6" x 2.3")
	Weight	5.5 kg (12.13 lb)
OS Support	OS Support	Microsoft® Windows XP/Windows XPE/Windows 7 32bit/WES 7 32bit/Win CE/Linux
Power Consumption	Input Voltage	12 - 30 Vdc
	Power Consumption	36W (Burn-in test 7.0 in Windows 7 32 bit)
LCD Display	Display Type	15.6" TFT LCD (LED Backlight)
	Max. Resolution	1366 x 768
	Viewing Angle	85 (Left), 85 (Right), 80 (Up), 80 (Down)
	Luminance(cd/m ²)	400
	Contrast Ratio	500
	Backlight Lifetime	50,000 hrs min.
Touchscreen	Touch Type	Projected Capacitive Multi-Touch 10 Point
	Light Transmission	88 % ± 2 %
	Controller	USB Interface
Environment	Operating Temperature	0 ~ 50°C (32 ~ 122°F)
	Storage Temperature	-40 ~ 60°C (-40 ~ 140°F)
	Relative Humidity	10 ~ 95% @ 40°C (Non-Condensing)
	Shock	Operating 10 G Peak Acceleration (11 ms Duration), Follows IEC 60068-2-27
	Vibration	Operating Random Vibration Test 5-500Hz, 1Grms @with HDD; 2Grms @with SSD, Follows IEC 60068-2-64
	EMC	CE, FCC Class B, BSMI
	Safety	CE, UL, CCC, BSMI
Front Panel Protection	IP65 Compliant	

Dimensions

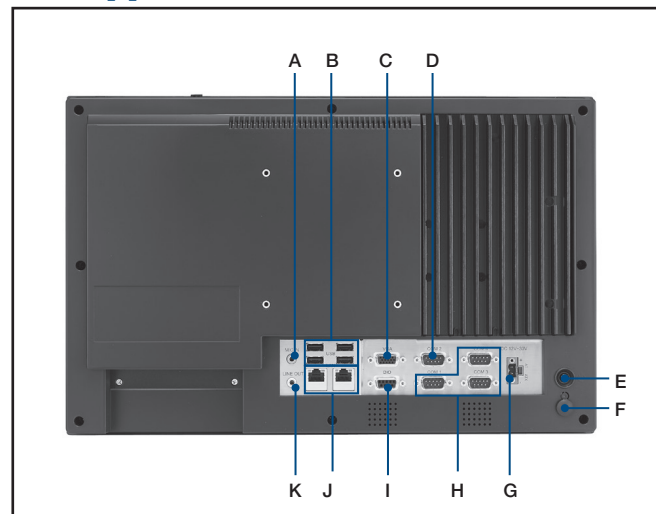


Cut-out dimensions: 413 x 262 mm

Ordering Information

Part NO	Description
PPC-4150W-P4GAE	15.6 Wide screen PPC with PCT Multi-touch, Intel Atom D2550 1.86 GHz ,4G SO-DDR3-1600
96PSA-A90W190T-1	Adapter AC100-240V 90W 19V
1700001524	POWER Cord 3P UL 10A 125V 180cm
170203183C	POWER Code 3P Europe (WS-010+083)183 cm
1700008921	POWER CORD 3P/3P POWER SUPPLY 1.8 M PSE
96CB-POWER-B-1.8M	Power code 3P CCC(China) 1.8M
PPC-174T-WL-MTE	Wall mount kit for PPC series
PPC-STAND-A1E	Stand for PPC series
PPC-ARM-A03	ARM VESA Standard (A-CLEVER) for PPC series
PPC-WLAN-B1E	Wi-Fi Module with Antenna Cable 40cm for PPC
2070012524	Image Win XPE 32-bit Multi PPC-4150W-P
2070012374	Image WES7P 32-bit Multi PPC-4150W-P
98R3415010E	Front USB on cabinet module with Cable 100cm
98R3612000E	mSata/CFast To USB Card Reader

I/O Appearance



- A. Mic-in
- B. 4 x USB 2.0
- C. VGA Port
- D. 1 x RS232/422/485
- E. Power Button
- F. Ground Line
- G. DC Inlet
- H. 3 x RS232
- I. DIO Port
- J. 2 x 10/100/1000 Mbps Ethernet
- K. Line Out