

LEC-7230M

Compact Fanless All-purpose IPC with
Intel® Bay Trail CPU



■ Features

- Intel® J1900 Quad-core Processor
- Intel® HD Graphics / VGA (1600x1200) / HDMI (1920x1080)
- Dual GbE LAN Ports
- Dual RS-232/422/485 Serial Ports
- 1x USB 3.0 and 2x USB 2.0 Ports
- 1x Mini-PCI-E Slot with SIM Card Reader
- Compact and Fanless

■ Specifications

Processor System

CPU	Intel® Celeron® J1900
Frequency	2GHz
Core Number	4C
BIOS	AMI SPI Flash BIOS
Chipset	SOC

Fanless

Yes

Memory

Technology	DDR3L, 1333 MHz
Max. Capacity	8 GB
Socket	1 x 204-pin SODIMM

Graphic

Controller	Intel® HD Graphics
VGA	1 x VGA, 1600 x 1200
DVI	-
HDMI	1 x HDMI, 1920 x 1080

Audio

Codec	Realtek ALC662 High Definition
Interface	2 x Phone Jack for MIC-in and Line-out

Ethernet

Controller	Intel® i211-AT
Speed	10/100/1000 Mbps
Interface	2 x RJ45

Storage

Type	PATA
Installation	1 x CF Type I/II Socket
Type	SATA II
Installation	1 x 2.5" HDD/SSD Drive Bay

I/O

Serial Port	2 x RS-232/422/485, DB9 male
Digital I/O	-
USB 2.0	2 x Type A
USB 3.0	1 x Type A
Power-On/Reset Button	1 x Power On/Off, 1 x Reset

Remote	-
LED	Power/3G Status/Storage
Antenna Hole	1 x SMA Antenna Hole

Expansion Interface

Mini-PCIe	1 x Full-sized Socket with SIM Card Reader
PCI	-
PCI Express x1	-
PCI Express x4	-

Watchdog Timer

Watchdog Timer 1~255 Level Time Interval System Reset Software Programmable

Power

Power Type	ATX
Power Supply Voltage	+12 Vdc
Connector	DC Jack with Lock
Power Consumption (Idle)	7.36W
Power Consumption (Full Load)	11.43W
Power Adaptor	AC to DC, AC 90 to 240 VAC Input, DC 12V/5A 60W

Environment

Operating Temperature (w/ Industrial-grade Components)	0°C ~ 60°C
Storage Temperature	-20°C ~ 70°C
Relative Humidity	0% ~ 90% (Non-condensing)
Vibration	IEC 60068-2-64, 0.5Grms, Random 5 ~ 500 Hz, 40 Mins/Axis

Mechanical

Dimension (W x H x D)	198 x 42 x 145 mm (7.8" x 1.65" x 5.7")
Construction	Aluminum + SGCC
Weight	1.2 Kg
Mounting	Wall, VESA, DIN-rail, Rack

Driver Support

Microsoft Windows	WES 7 E, Win 7 Pro FES, WE 8.1 Industry Pro
Linux	Kernal 3.x

Certification

EMC	CE/FCC, Class A
Safety	None

Product I/O View



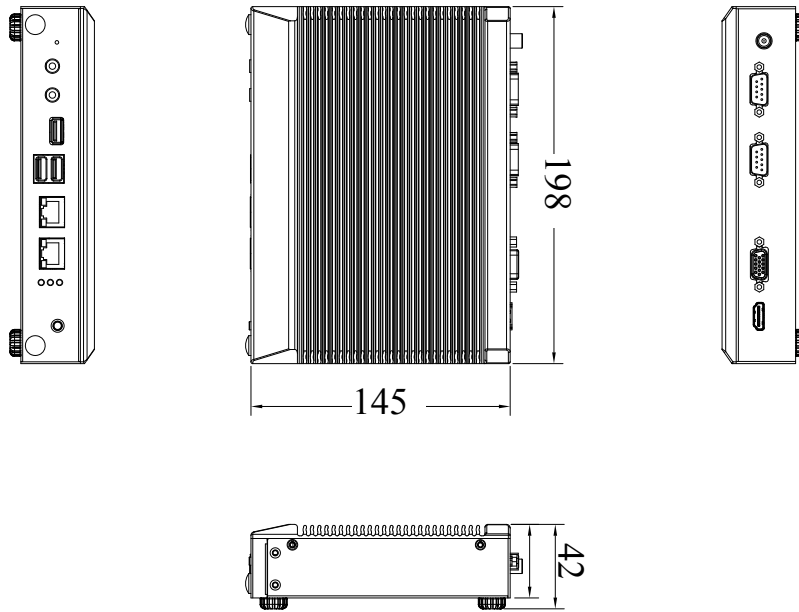
- A Reset
- B MIC_in
- C LINE_out

- D USB 3.0
- E USB 2.0
- F LAN

- G LED
- H Power On/Off
- I HDMI

- J VGA
- K COM
- L DC_in

Dimensions (W x H x D) 198 x 42 x 145 mm (7.8" x 1.65" x 5.7")



LEC-7230M

Ordering Information

LEC-7230M-J11A Fanless Box PC with Intel® Celeron® J1900 (2GHz)

Standard Accessories

080W1N0002001 SATA SSD/HDD Cable with Power
 0P0W060122002 AC Power Adapter 60W 12V/5A, DC Jack with Lock

Optional Mounting Kit

098W000004000 Wallmount 4
 098W000009000 VESA Mount
 098W000006000 Rack Mount
 098W000007000 DIN-rail Mount

V.1-2015.08.12

Lanner

© Lanner Electronics Inc. All rights reserved.
 All product specifications are subject to change without notice.
connect@lannerinc.com | www.lannerinc.com