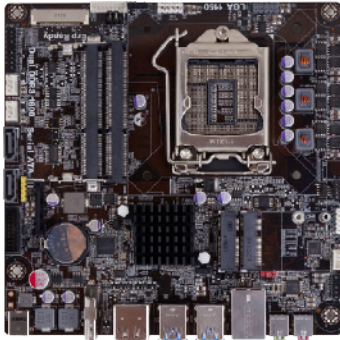


ITX-i87H0

4th Generation Intel® Core™ Processor Embedded Mini-ITX motherboard



Features

- Supports 4th Generation Intel® Core™ Processor
- Integrated Gigabit Ethernet Port
- Dual Channel 24-bit LVDS, DisplayPort, HDMI_IN and HDMI_OUT
- Dual Independent Displays supported

System

CPU	4 th Generation Intel® Core™ Processor in LGA1150
Memory	2 x 204-pin DDR3 SO-DIMM sockets, support 1600/1333MHz SDRAM up to 16GB
Chipset	Intel® PCH H87
BIOS	AMI BIOS with 64Mb SPI Flash ROM

I/O

Super IO Chipset	FINTEK F71808A
Serial Port	N/A
USB Port	5 x USB 2.0 ports 6 x USB 3.0/2.0 ports
Digital I/O	N/A
Expansion Bus	1 x Mini-card socket (Half Size)
Storage	2 x Serial ATA ports with 600MB/s HDD transfer rate 1 x mSATA socket (Full Size)
Ethernet Chipset	1 x Realtek RTL8111G PCIe GbE controllers
Audio Interface	Realtek ALC662+ALC113 HD Audio Codec, MIC-in/ Line-out

Display

Graphic Chipset	Integrated Intel® HD Gen. 7 Graphics
Graphic Interface	1 x HDMI_OUT port 1 x HDMI_IN port 1 x DisplayPort LCD: Dual-Channels 24-bit LVDS

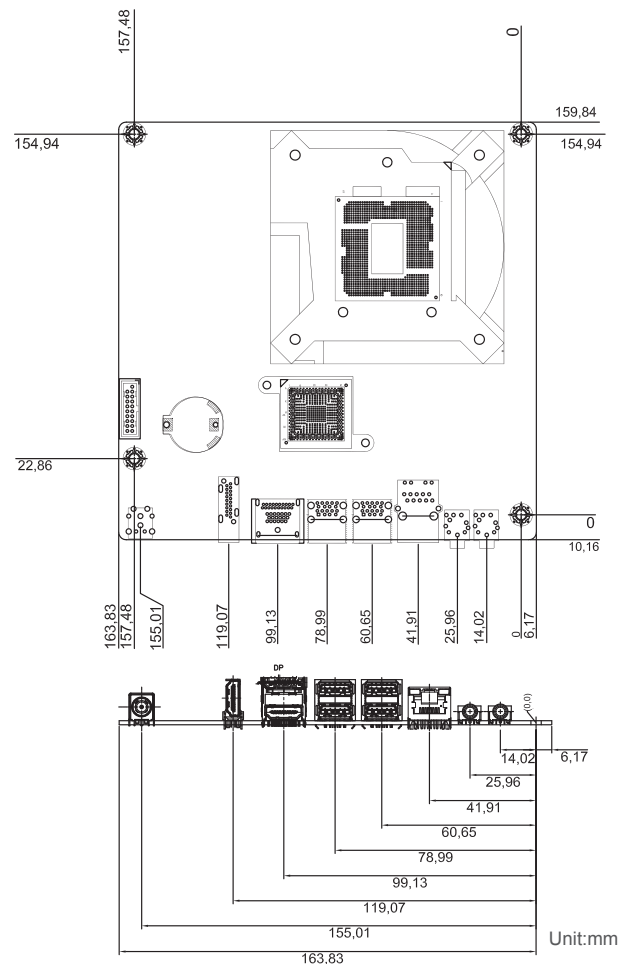
Recommended CPU List:

Intel® Core™ i7-4770S quad-core 3.1GHz / i7-4790S quad-core 3.2GHz
 Intel® Core™ i7-4770TE quad-core 2.3GHz
 Intel® Core™ i5-4570S quad-core 2.9GHz / i5-4590S quad-core 3.0GHz
 Intel® Core™ i5-4570TE dual-core 2.7GHz
 Intel® Core™ i3-4330 dual-core 3.6GHz / i3-4350T dual-core 3.1GHz
 Intel® Core™ i3-4330TE dual-core 2.4GHz
 Intel® Pentium® Processor G3420 dual-core 3.2GHz
 Intel® Pentium® Processor G3320TE dual-core 2.3GHz
 Intel® Celeron® Processor G1820 dual-core 2.7GHz
 Intel® Celeron® Processor G1820TE dual-core 2.2GHz

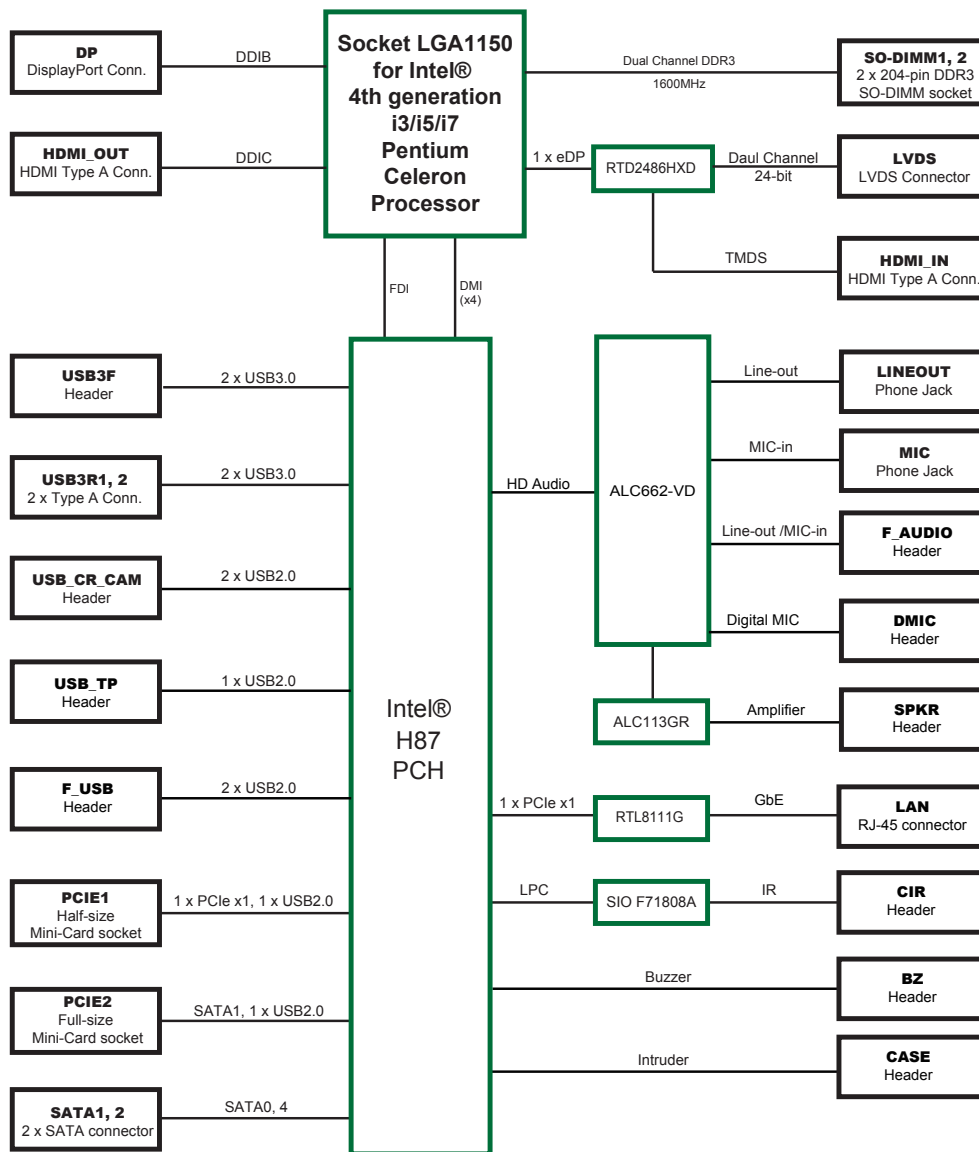
Mechanical & Environmental

Power Requirement	+19V DC
Power Consumption	2.26A@+19V (Typical, w/i7-4770S)
Operating Temp.	0 ~ 60°C (32 ~ 140°F) w/ cooling fan
Operating Humidity	10 ~ 60% @ 60°C (non-condensing)
Dimension (L x W)	170 x 170 mm (6.7" x 6.7")

Dimensions



Block Diagram



Ordering Information

ITX-i87H0 4th Generation Intel® Core™ Processor Embedded Mini-ITX motherboard

Optional Accessories

CPF-67Q0-C1 CPU Cooling Fan for LGA1150/ 1155/ 1156 CPU

CBK-07-87H0-00 Cable kit
 2 x Two Ports USB2.0 cable
 1 x One Port USB2.0 cable
 1 x Two Ports USB3.0 cable
 1 x SATA Power cable
 2 x SATA cables