

30.5 mm Pushbutton Enclosures

Application -

Designed to offer protection for oil-tight push-buttons, switches, and pilot lights from dust, water, dirt and oil. For installation information, consult our Installation Manual at www.saginawcontrol.com.

Construction -

- 0.063" carbon steel.
- Continuously welded seams.
- Captivated cover screws thread into sealed wells.
- "4-way" pushbutton holes accept all brands of oil-tight push-buttons, switches and pilot lights. Hole diameter is 1.20" (30.5 mm).
- Immediate removal of cover is permitted.
- Oil-resistant gasket.

Finish -

ANSI-61 gray powder coating inside and out.

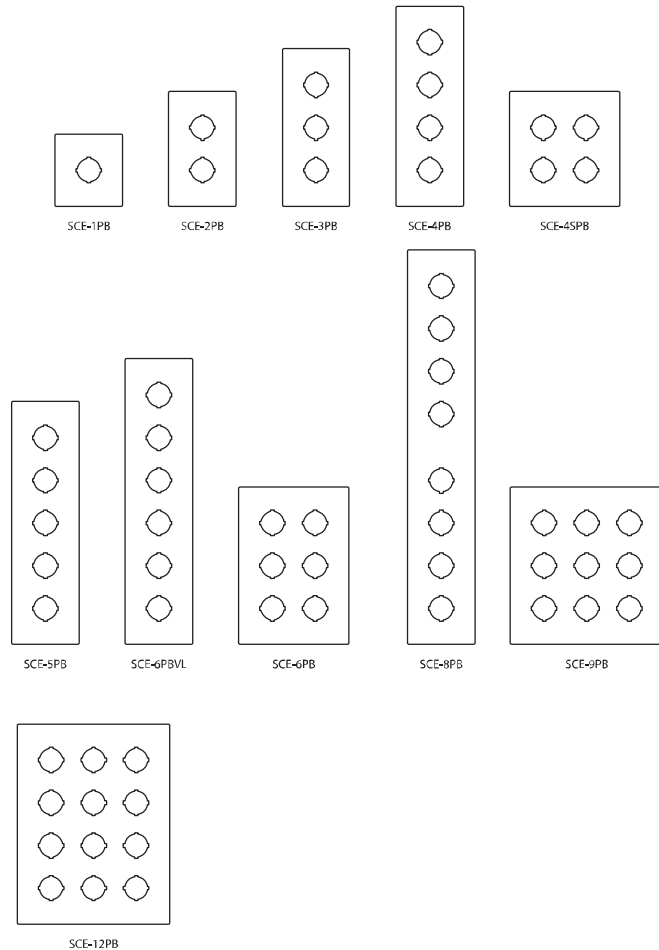
IS2 - Industry Standards -

- NEMA Type 4, 12 & Type 13
- UL Listed Type 4 & 12
- CSA Type 4 & 12
- IEC 60529 IP66



30.5 mm PUSHBUTTON ENCLOSURES

ENCLOSURE PRODUCT CODE A1					
Catalog No.	Height (A)	Width (B)	Depth (C)	Industry Standard	List Price
SCE-1PB	3.50	3.25	2.75	IS2	43.90
SCE-2PB	5.75	3.25	2.75	IS2	50.17
SCE-3PB	8.00	3.25	2.75	IS2	56.43
SCE-4PB	10.25	3.25	2.75	IS2	62.70
SCE-4SPB	7.25	6.25	3.00	IS2	70.23
SCE-5PB	12.50	3.25	2.75	IS2	68.98
SCE-6PB	9.50	6.25	3.00	IS2	80.26
SCE-6PBVL	14.75	3.25	2.75	IS2	75.24
SCE-8PB	20.25	3.25	2.75	IS2	90.29
SCE-9PB	9.50	8.50	3.00	IS2	92.80
SCE-12PB	11.75	8.50	3.00	IS2	104.08

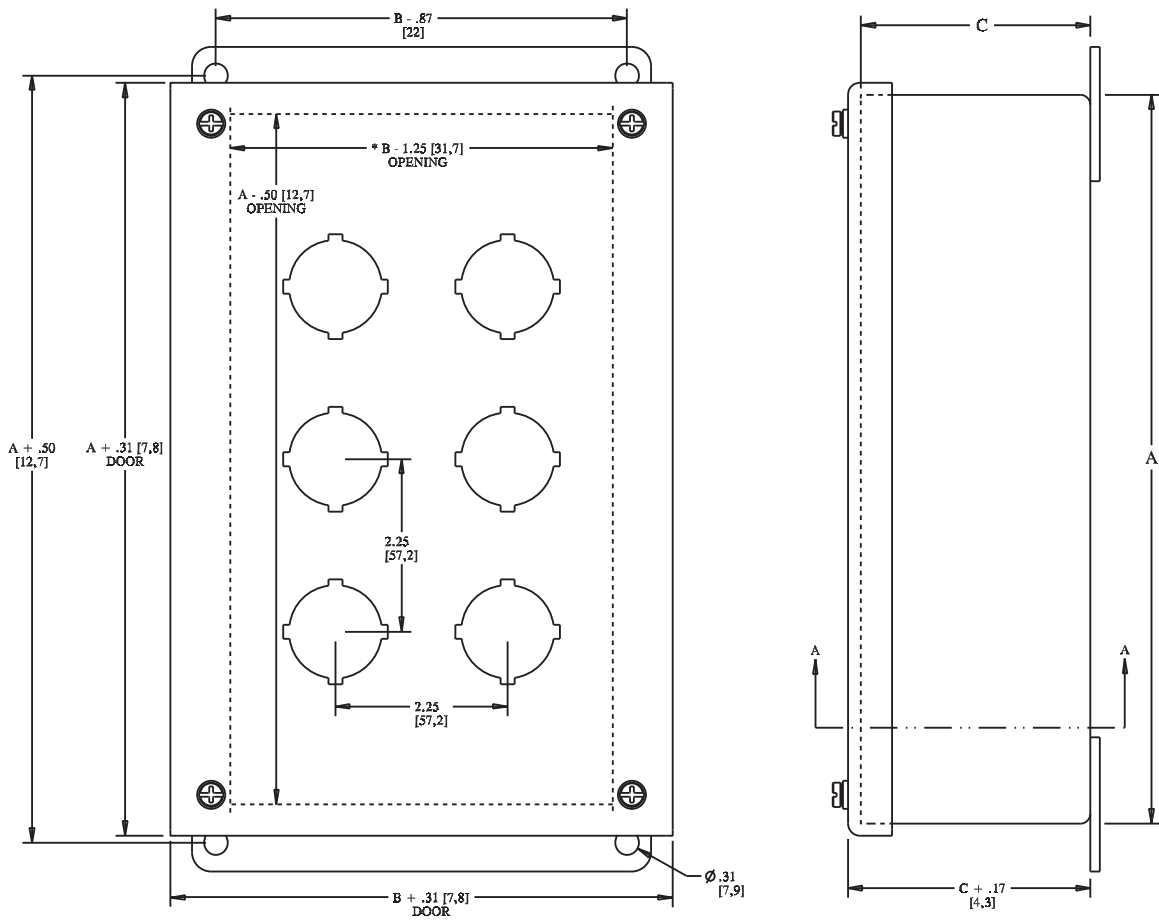


Phone (989) 799-6871
Fax (989) 799-4524

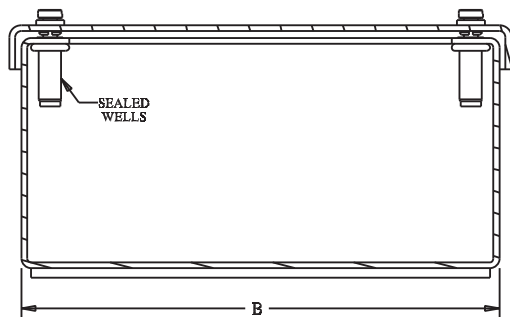


30.5 mm PUSHBUTTON ENCLOSURES

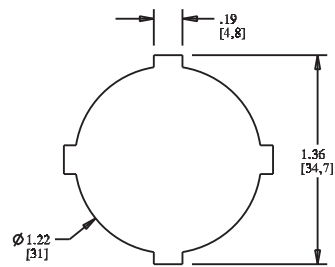
TECHNICAL DATA



NOTE:
 * B - .50 [12,7] ONE COLUMN OF PUSHBUTTONS



SECTION A-A



STANDARD 4-WAY