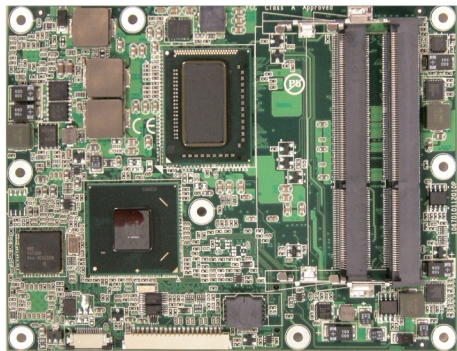


# EmETXe-i67M1/i65M1

Intel® Sandy Bridge Core™ / Celeron™ COM Express Type 2 CPU Module



## Features



- Soldered onboard Intel® Sandy Bridge Gen. II Core™ / Celeron™ Processor
- Support Gigabit Ethernet port
- Dual Channels 24-bit LVDS, Analog RGB, and DisplayPort
- Support Dual Independent Displays
- Multi-expansion (4xSATA, 1xPATA, 8xUSB, Max. 5xPCIex1 lanes, 1xPCIex16 lanes, and LPC bus interface)
- RAID 0, 1, 5, 10 Supported (EmETXe-i67M1 only)
- **Extended Operating Temp.: -20 ~ 70°C**

## System

<b>CPU</b>	Soldered onboard Intel® Sandy Bridge Core™ i7-2610UE 1.5GHz or Celeron™ 827E 1.4GHz Processor
<b>Memory</b>	2 x DDR3 SO-DIMM sockets, supporting up to 8GB SDRAM
<b>Chipset</b>	Intel® PCH QM67 for EmETXe-i67M1-2610UE Intel® PCH HM65 for EmETXe-i65M1-827E
<b>BIOS</b>	AMI PnP Flash UEFI BIOS
<b>Watchdog Timer</b>	1~255 levels reset

## I/O

<b>USB Port</b>	8 x USB 2.0 ports
<b>Digital I/O</b>	8-bit programmable Digital Input/Output
<b>Expansion Bus</b>	1 x PCIex16 lanes Max. 5 x PCIex1 lanes LPC (Low Pin Count) interface
<b>Storage</b>	1 x Ultra ATA port, supports 2 IDE devices 4 x Serial ATA ports: 2 ports with 600MB/s HDD transfer rate 2 ports with 300MB/s HDD transfer rate
<b>Ethernet Chipset</b>	1 x Intel 82583V PCIe Gigabit Ethernet Controller
<b>AUDIO Interface</b>	HD Audio link

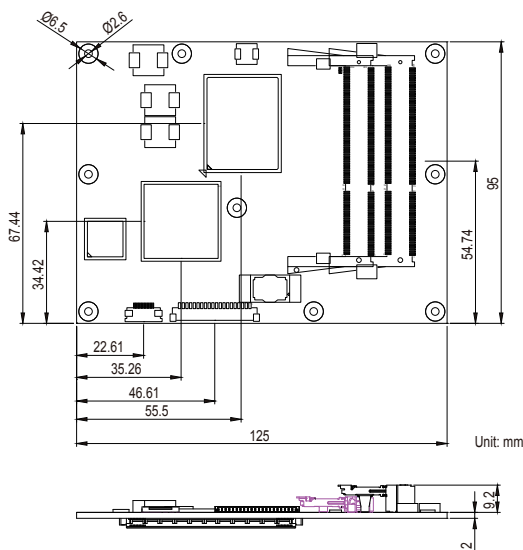
## Display

<b>Graphics Chipset</b>	Integrated Intel® HD Graphics 3000
<b>Graphics Interface</b>	Analog RGB support up to 2048 x 1536 @60Hz LCD: Dual Channels 24-bit LVDS, up to 1920 x 1600 Support DDI port connector on CPU module Support dual independent displays

## Mechanical & Environmental

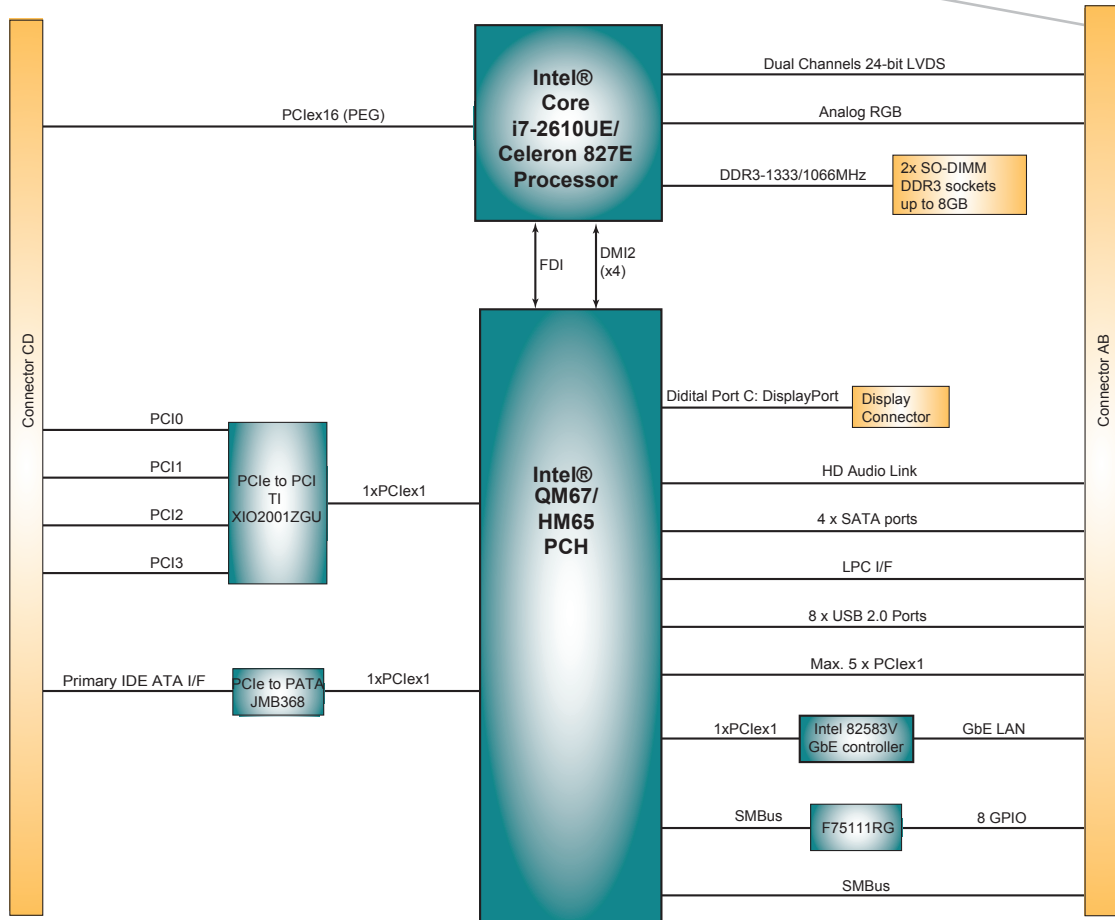
<b>Power Requirement</b>	+12V, 5VSB
<b>Power Consumption</b>	Max. 2.12A/12V with i7-2610UE
<b>Operating Temp.</b>	-20 ~ 70°C (-4 ~ 158°F)
<b>Operating Humidity</b>	0 ~ 90% (non-condensing)
<b>Dimension (L x W)</b>	125 x 95 mm (4.9" x 3.7")

## Dimensions



Computer on Module

## Block Diagram



## Ordering Information

<b>EmETXe-i67M1-2610UE</b>	Intel Core™ i7-2610UE/ QM67 COM express CPU module
<b>EmETXe-i65M1-827E</b>	Intel Celeron™ 827E/HM65 COM express CPU module
<b>FCDB-1424</b>	DisplayPort daughter board
<b>HS-67M1-F1</b>	Heat spreader (125x95x18mm)
<b>HS-67M1-C1</b>	Wave type heatsink with fan (125x95x34.9mm)
<b>PBE-1700-W R1.3</b>	COM Express type 2 with Winbond Super IO W83627 evaluation carrier board ATX form factor
<b>CBK-04-1700-00</b>	Cable Kit 1 x SATA cable 1 x COM port cable 1 x FDD cable 1 x IDE cable