

UNO-1372G

Intel® Atom™ Quad-Core Small Size Control DIN-rail PC w/ 3 x GbE, built-in 4GB DDR3L SDRAM, 2 x mPCIe, 1 mSATA, 2 x COM, 8 x DI/O, 3 x USB, HDMI/VGA

NEW



Features

- Intel® Atom E3845 1.91GHz processor with 4GB DDR3L Memory
- 3 x GbE, 3 x USB, 2 x COM, 1 x VGA, 1 x HDMI, Audio, iDoor, mSATA, 2mPCIe, 1 x SATA, 8 x DIO, 1 x Power Terminal
- Compact with Fanless Design
- Dual Power Input for Reducing Power Down Time
- Exchangeable RTC Battery with easy Access on the Top
- Digital I/O with Isolation Protection for Sensing and controlling
- Diverse system IO and Supports Fieldbus Protocol by iDoor Technology as a Protocol Gateway
- 3G/GPS/GPRS/Wi-Fi Communication by iDoor Technology as a Communication Gateway
- Supports MRAM by iDoor Technology
- Chassis Grounding Protection
- LAN Redundancy (Teaming)

Introduction

The UNO-1372G is an Intel Atom Quad-Core DIN-rail controller. This controller features dual power inputs that shorten the down time to enhance operation excellence. The general purpose input/output ports also help machine builders integrate direct control of start/stop inspection and indicate inspection results. The UNO-1372G is also equipped with Advantech iDoor technology that uses iDoor modules to extend this product to become a gateway controller, such as a PoE card, or isolation serial port card. The UNO-1372G also features 3 gigabyte LAN ports, 1 USB 3.0 port, 2 COM ports and HDMI& VGA display ports for essential upstream and downstream links, for example, PoE connected to IP camera from iDoor.

Specifications

General

- Certification** CE, FCC, UL, CCC, BSMI
- Dimensions (W x D x H)** 85 x 139 x 152 mm (3.3" x 5.5" x 6.0")
- Form Factor** Small Size
- Enclosure** Aluminum Housing
- Mounting** DIN-rail, Wallmount
- Weight (Net)** 1.6kg (3.5lbs)
- Power Requirement** 9~36Vdc
- Power Consumption** 24W (Typical)
- OS Support** Microsoft® Windows 7/8, WES7, WIN10 Ent. LTSB, AdvLinux

System Hardware

- BIOS** AMI UEFI 128Mbit Flash BIOS
- Watchdog Timer** Programmable 6 levels timer interval, from 15 to 255 sec
- Processor** Intel Atom E3845 1.91GHz, 2MB L2 Cache
- System Chip** Integrated Intel SoC Chipset
- Memory** On-board 4GB DDR3L 1333 MHz
- Graphics Engine** Intel® HD Graphics
- Ethernet** Intel® i210-IT GbE, 802.1Qav, 802.1AS, 802.3az
Realtek RTL8111E GbE
- LED Indicators** LEDs for Power, battery, LAN (Active, Status), Tx/Rx and HDD
- Storage** One drive bay for SATA 2.5" HDD (Compatible with 9.5mm height HDD)
CFast drive by iDoor Technology (Optional)
- Expansion** 2 x Full-size mPCIe slot, 1x mSATA (Full-size)

I/O Interfaces

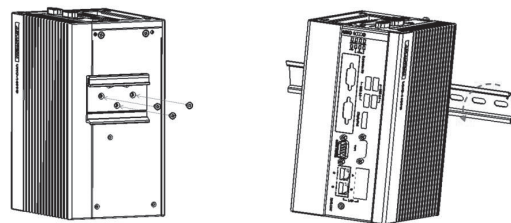
- Serial Ports** 1 x RS-232, DB9, 50~115.2kbps
1 x RS-422/485, DB9, auto flow control, 50~115.2kbps
- LAN Ports** 3 x RJ45, 10/100/1000 Mbps IEEE 802.3u 1000Base-T Fast Ethernet, support Jumbo Frame
- USB Ports** 3 x USB Ports (2 x USB2.0, 1 x USB 3.0 compliant)
- Isolated DIO** 4-ch digital input, (Wet/dry contact with Isolation Protection 2,500 VDC) 4-ch digital output (Compatible 5 V/TTL, Capable Sink: 24 mA max. per channel)
- Displays** 1 x VGA, supports 1920 x 1200 @ 60Hz 24bpp
1 x HDMI 1.4a, supports 1920 x 1080 @ 60Hz 24bpp
- Audio** Line-Out
- Power Connector** 1 x 4 Pins, Terminal Block to support dual power input
- Grounding Protection** Chassis Grounding

Environment

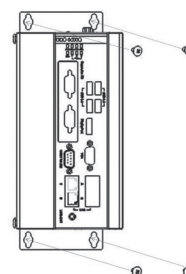
- Operating Temperature** - 20 ~ 60°C (-4 ~ 140°F) @ 5 ~ 85% RH with 0.7m/s airflow (Industry SSD)
- Storage Temperature** - 40 ~ 85°C (-40 ~ 185°F)
- Relative Humidity** 95% RH @ 40°C, non-condensing
- Shock Protection** Operating, IEC 60068-2-27, 50G, half sine, 11ms
- Vibration Protection** Operating, IEC 60068-2-64, 5Grms, random, 5 ~ 500Hz, 1 hr/axis
- Ingress Protection** IP40

Installation Scenario

DIN-rail mounting illustration

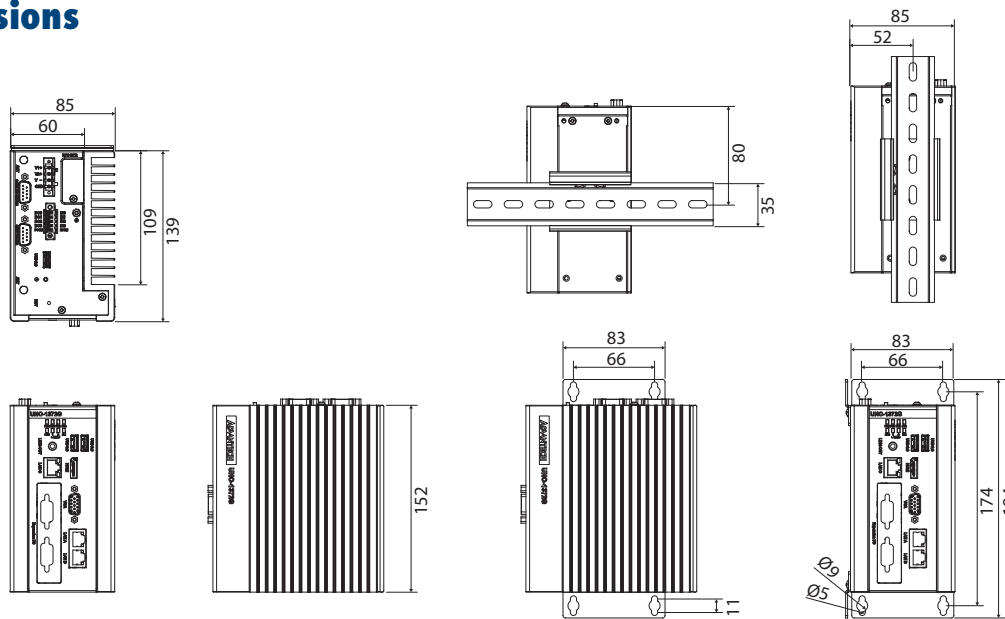


Wall mounting illustration

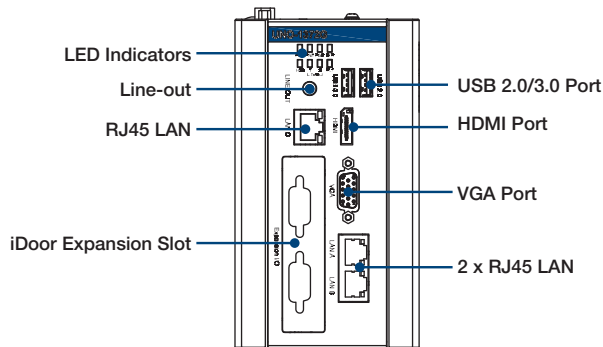


Dimensions

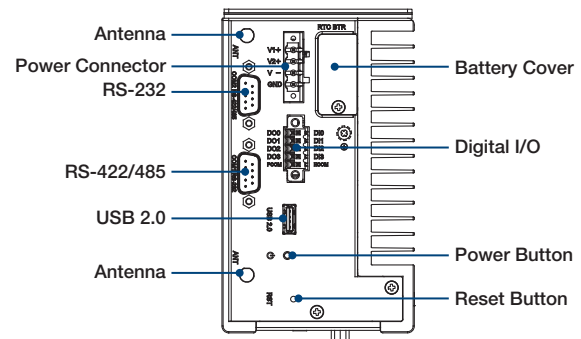
Unit: mm



Front I/O View



Top I/O View



Ordering Information

- UNO-1372G-E3AE Intel Atom Quad-Core 1.91GHz, 4GB, 3 x LAN, 2 mPCIe, iDoor

iDoor Modules

- PCM-23C1CF-AE 1 CFast Slot with Cover Protection
- PCM-23U1DG-AE USB Slot w/ Lock for USB Dongle
- PCM-24R2GL-AE 2-Port Gigabit Ethernet, mPCIe, RJ45
- PCM-24U2U3-AE 2-Port USB 3.0, mPCIe, USB-A type
- PCM-24D2R4-AE 2-Port Isolated RS-422/485 mPCIe, DB9
- PCM-24D4R4-AE 4-Port Non-Isolated RS-422/485 mPCIe, DB37
- PCM-24S2WF-BE WiFi 802.11 ac/a/b/g/n 2T2R w/Bluetooth 4.1
- PCM-24S33G-AE Wide-Temp 3.75G HSPA and GPS, 2-in-1, Full-size mPCIe w/ Redundant SIM Card holder, 2-port SMA
- PCM-26R2PN-MAE 2-Port Hilscher netX100 FieldBus mPCIe, PROFINET, RJ45, Master
- PCM-26R2PN-SAE 2-Port Hilscher netX100 FieldBus mPCIe, PROFINET, RJ45, Slave
- PCM-26D1DB-MAE 1-Port Hilscher netX100 FieldBus mPCIe, PROFIBUS, DB9, Master
- PCM-26D1DB-SAE 1-Port Hilscher netX100 FieldBus mPCIe, PROFIBUS, DB9, Slave

Optional Accessories

- PWR-247-CE ADP A/D 100-240V 60W 24V (Commercial Grade)
- 1702002600 Power Cable US Plug 1.8 M (Industrial Grade)
- 1702002605 Power Cable EU Plug 1.8 M (Industrial Grade)
- 1702031801 Power Cable UK Plug 1.8 M (Industrial Grade)
- 1700000596 Power Cable China/Australia Plug 1.8 M (Industrial Grade)

Embedded O/S

- 2070014956 Image Win10 Enterprise 2016 LTSB X64 MUI for UNO-1372G
- 2070013467 Image WES7P X64 MUI for UNO-1372G
- 2070014549 Image AdvLinuxTU for UNO-1372G
- 2070014098 Image WEC7 MUI for UNO-1372G

S/W Bundle Offering

- SRP-FEC210-AE UNO-1372G, CODESYS SoftMotion & Vis., 128G SSD, 2MB MRAM, CANopen, WES7P