

## Enviroline® Junction Enclosures

### Application -

Designed to house electrical controls, instruments and components in areas, which may be regularly hosed down or are in very wet or oily conditions. Provides protection from dust, dirt, oil, and water. For installation information, consult our Installation Manual at [www.saginawcontrol.com](http://www.saginawcontrol.com).

### Construction -

- 0.063" carbon steel.
- Seams continuously welded and ground smooth.
- Flange trough collar around all sides of door opening.
- Oil-resistant gasket.
- Standoffs provided for mounting optional panels.
- Removable hinge.
- Doors open 180 degrees.
- Black mini 1/4 turn latches.
- Latches are opened or closed with a screwdriver.
- Sealing washers and hole plugs included.
- Ground stud on door & body.
- Mounting feet are included.

### Finish -

Ansi -61 gray powder coating inside and out. Optional panels are powder coated white.

### IS2 - Industry Standards -

NEMA Type 4, 12 & Type 13  
UL Listed Type 4 & 12  
CSA Type 4 & 12  
IEC 60529 IP66

## Enviroline® Junction Enclosures

ENCLOSURE PRODUCT CODE E1						SUB-PANEL PRODUCT CODE P3			
Catalog No.	Height (A)	Width (B)	Depth (C)	Industry Standard	List Price	Catalog No.	Panel Height (D)	Panel Width (E)	List Price
SCE-604ELJ	6.00	4.00	4.00	IS2	41.16	SCE-6P4J	5.00	3.00	3.02
SCE-606ELJ	6.00	6.00	4.00	IS2	47.98	SCE-6P6J	5.00	5.00	3.62
SCE-806ELJ	8.00	6.00	4.00	IS2	51.88	SCE-8P6J	7.00	5.00	4.17
SCE-8066ELJ	8.00	6.00	6.00	IS2	61.48	SCE-8P6J	7.00	5.00	4.17
SCE-808ELJ	8.00	8.00	4.00	IS2	63.72	SCE-8P8J	7.00	7.00	4.89
SCE-8086ELJ	8.00	8.00	6.00	IS2	68.18	SCE-8P8J	7.00	7.00	4.89
SCE-1008ELJ	10.00	8.00	4.00	IS2	70.76	SCE-10P8J	9.00	7.00	5.70
SCE-10086ELJ	10.00	8.00	6.00	IS2	79.12	SCE-10P8J	9.00	7.00	5.70
SCE-10106ELJ	10.00	10.00	6.00	IS2	83.56	SCE-10P10J	9.00	9.00	6.73
SCE-1210ELJ	12.00	10.00	6.00	IS2	86.48	SCE-12P10J	11.00	9.00	7.72
SCE-12108ELJ	12.00	10.00	8.00	IS2	98.72	SCE-12P10J	11.00	9.00	7.72
SCE-1212ELJ	12.00	12.00	6.00	IS2	100.96	SCE-12P12J	11.00	11.00	9.08
SCE-1412ELJ	14.00	12.00	6.00	IS2	111.20	SCE-14P12J	13.00	11.00	10.13
SCE-14128ELJ	14.00	12.00	8.00	IS2	118.44	SCE-14P12J	13.00	11.00	10.13
SCE-1614ELJ	16.00	14.00	6.00	IS2	130.82	SCE-16P14J	15.00	13.00	19.96
SCE-16148ELJ	16.00	14.00	8.00	IS2	143.42	SCE-16P14J	15.00	13.00	19.96
SCE-20166ELJ	20.00	16.00	6.00	IS2	151.40	SCE-20P16J	19.00	15.00	30.40
SCE-20168ELJ	20.00	16.00	8.00	IS2	157.76	SCE-20P16J	19.00	15.00	30.40
SCE-201610ELJ	20.00	16.00	10.00	IS2	185.13	SCE-20P16J	19.00	15.00	30.40
SCE-20206ELJ	20.00	20.00	6.00	IS2	168.36	SCE-20P20J	19.00	19.00	35.44
SCE-20208ELJ	20.00	20.00	8.00	IS2	178.20	SCE-20P20J	19.00	19.00	35.44
SCE-202010ELJ	20.00	20.00	10.00	IS2	187.50	SCE-20P20J	19.00	19.00	35.44

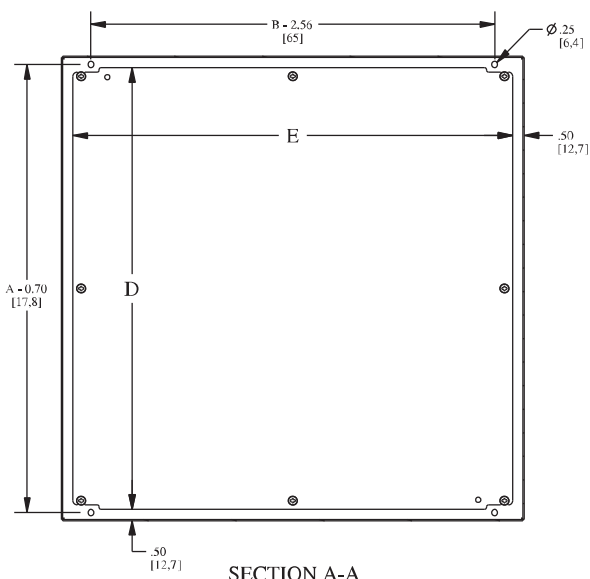
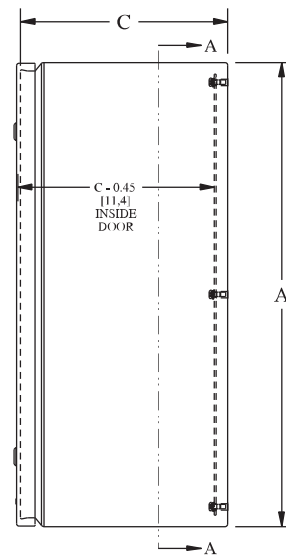
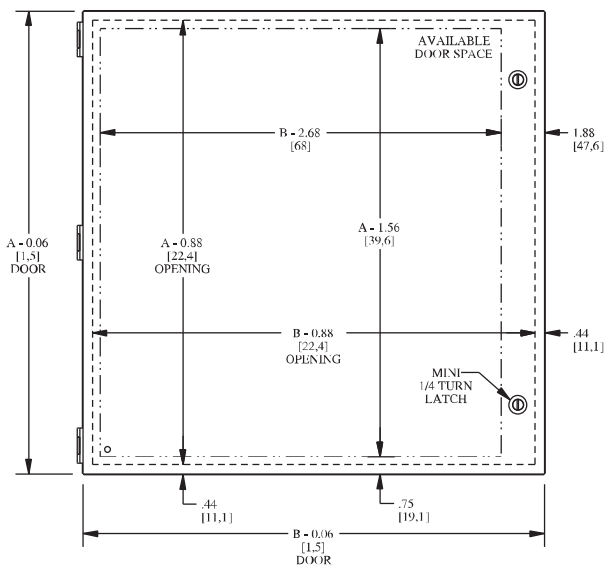
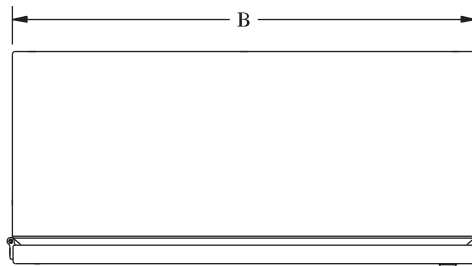


Phone (989) 799-6871  
Fax (989) 799-4524

**SCE** SAGINAW  
CONTROL &  
ENGINEERING  
Your Enclosure Source®

# ENVIROLINE® JUNCTION ENCLOSURES

## TECHNICAL DATA



**LATCH NOTES:**  
One latch centered on the door vertically if height is  $\leq 14.00$  [356]

Two latches located 3.00 [76] from top & bottom of door if height is  $> 14.00$  [356]

## Envirolite® Series Junction Enclosures with Viewing Window

### Application -

Designed to house electrical controls, instruments and components that require unrestricted viewing of the gages or controls, in areas which may be regularly hosed down or are in very wet or oily conditions. Provides protection from dust, dirt, oil, and water. For installation information, consult our Installation Manual at [www.saginawcontrol.com](http://www.saginawcontrol.com).

### Construction -

- 0.063" carbon steel.
- Seams continuously welded and ground smooth.
- Flange trough collar around all sides of door opening.
- Oil-resistant gasket.
- 0.25" polycarbonate windows.
- Standoffs provided for mounting optional panels.
- Removable hinge.
- Viewing Window
- Doors open 180 degrees.
- Black mini 1/4 turn latches.
- Latches are opened or closed with a screwdriver.
- Sealing washers and hole plugs included.
- Ground stud on door & body.
- Mounting feet are included.

### Finish -

Ansi -61 gray powder coating inside and out. Optional panels are powder coated white.

### IS2 - Industry Standards -

NEMA Type 4, 12 & Type 13  
 UL Listed Type 4 & 12  
 CSA Type 4 & 12  
 IEC 60529 IP66

## Envirolite® Series Junction Enclosures with Viewing Window

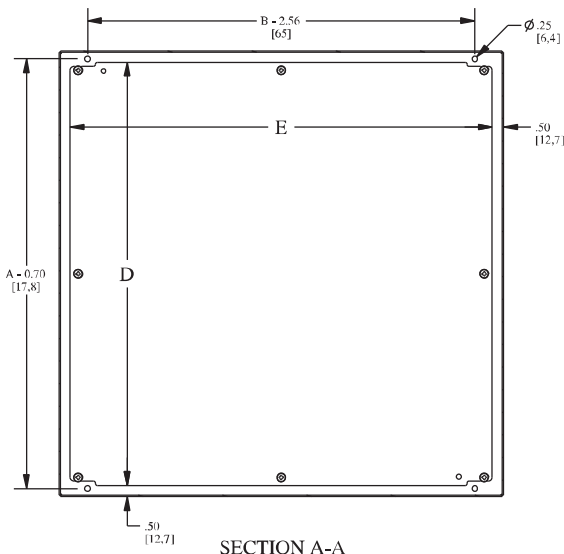
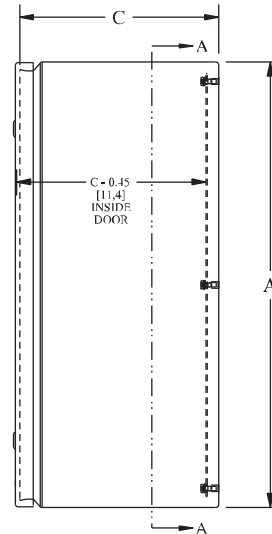
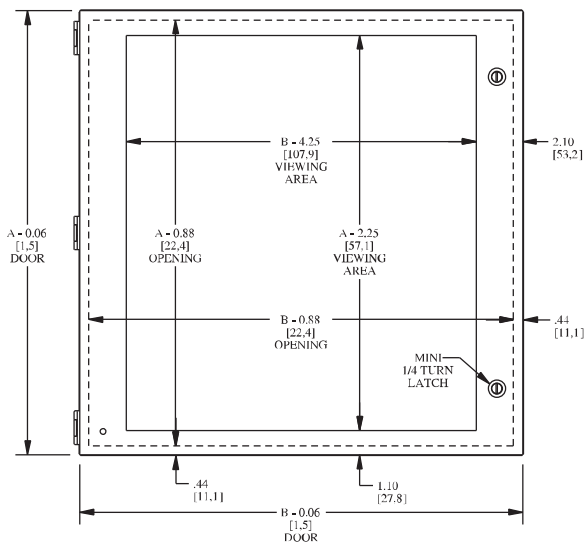
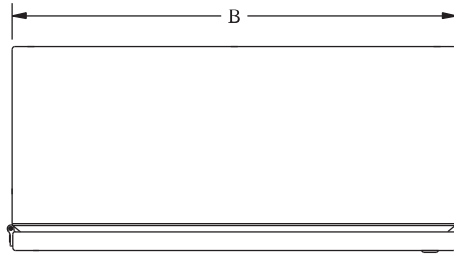
ENCLOSURE PRODUCT CODE E1							SUB-PANEL (P3)	
Catalog No.	Height (A)	Width (B)	Depth (C)	Window Viewing Size	Industry Standard	List Price	Catalog No.	List Price
SCE-1008ELJW	10.00	8.00	4.00	7.75X3.75	IS2	119.76	SCE-10P8J	5.70
SCE-10086ELJW	10.00	8.00	6.00	7.75X3.75	IS2	126.12	SCE-10P8J	5.70
SCE-1210ELJW	12.00	10.00	6.00	9.75X5.75	IS2	138.48	SCE-12P10J	7.72
SCE-12108ELJW	12.00	10.00	8.00	9.75X5.75	IS2	150.72	SCE-12P10J	7.72
SCE-1614ELJW	16.00	14.00	6.00	13.75X9.75	IS2	193.82	SCE-16P14J	19.96
SCE-16148ELJW	16.00	14.00	8.00	13.75X9.75	IS2	204.42	SCE-16P14J	19.96
SCE-20208ELJW	20.00	20.00	8.00	17.75X15.75	IS2	242.20	SCE-20P20J	35.44



Phone (989) 799-6871  
 Fax (989) 799-4524



# ENVIROLINE® SERIES JUNCTION ENCLOSURES WITH VIEWING WINDOW TECHNICAL DATA



**LATCH NOTES:**  
 One latch centered on the door vertically if height is  $\leq 14.00$  [356]  
 Two latches located 3.00 [76] from top & bottom of door if height is  $> 14.00$  [356]