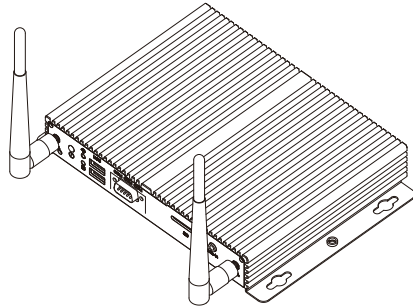


ELIT-1000

Robust Box PC with Intel® Atom™ N2600 Platform



Features

- **Ultra Low Power and Fanless Design**
- Ultra Low Profile Enclosure
- RS-485 Auto-flow Function Supported
- 2 x Line-out w/ 500mW Pre-amplified
- Support Dual DVI
- Support Outside Accessible SD Slot
- Support Two Independent Audio Outputs
- Support Optional WiFi Connection
- Rugged Design for Shock/Vibration Protection
- Easy Installation/Maintenance
- Intel® SSD Compatible

System

CPU	Soldered onboard Intel® Atom™ N2600 1.6GHz processor
Memory	1 x 204-pin DDR3 SO-DIMM Socket supporting 800/1066MHz SDRAM up to 2GB
Chipset	Intel® NM10
Graphics	Integrated in Atom™ N2600
ATA	1 x Serial ATA port with 300MB/s HDD transfer rate
LAN Chipset	2 x Realtek 8111 Gigabit Ethernet controllers
Watchdog Timer	1~255 levels reset

I/O

Serial Port	1 x DB-9 male connector Support COM1 RS-232/422/485 selectable
USB Port	4 x USB 2.0 ports
LAN	2 x RJ-45 port for Gigabit Ethernet
Video Port	1 x DVI-I female connector for Digital Video output 1 x DVI-D female connector for Digital Video output
Audio	Mic-in/ 2 x Line-out (500mW pre-amplified)
Expansion Bus	1 x Mini-card slot for optional WiFi module

Environmental

Operating Temp.	-25 ~ 55°C (-13 ~ 131°F), ambient w/ air flow
Storage Temp.	-40 ~ 85°C (-40 ~ 185°F)
Relative Humidity	10 ~ 95% @ 40°C (non-condensing)
Vibration	3 Grms/5~500Hz/random operation Operating 20G (11ms), Non-operating 60G with HDD
Shock & Crash	Operating 40G (11ms), Non-operating 80G with CF/SSD Crash 100G (11ms)

Qualification

Certification	CE, FCC
----------------------	---------

Power Requirement

Power Input	DC 19V input
Power Consumption	20W (Max.)

Storage

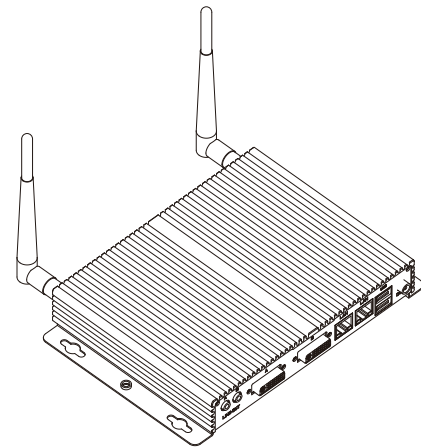
Type	1 x 2.5" drive bay for HDD/SSD 1 x SD Socket which can be outside accessible
-------------	---

Mechanical

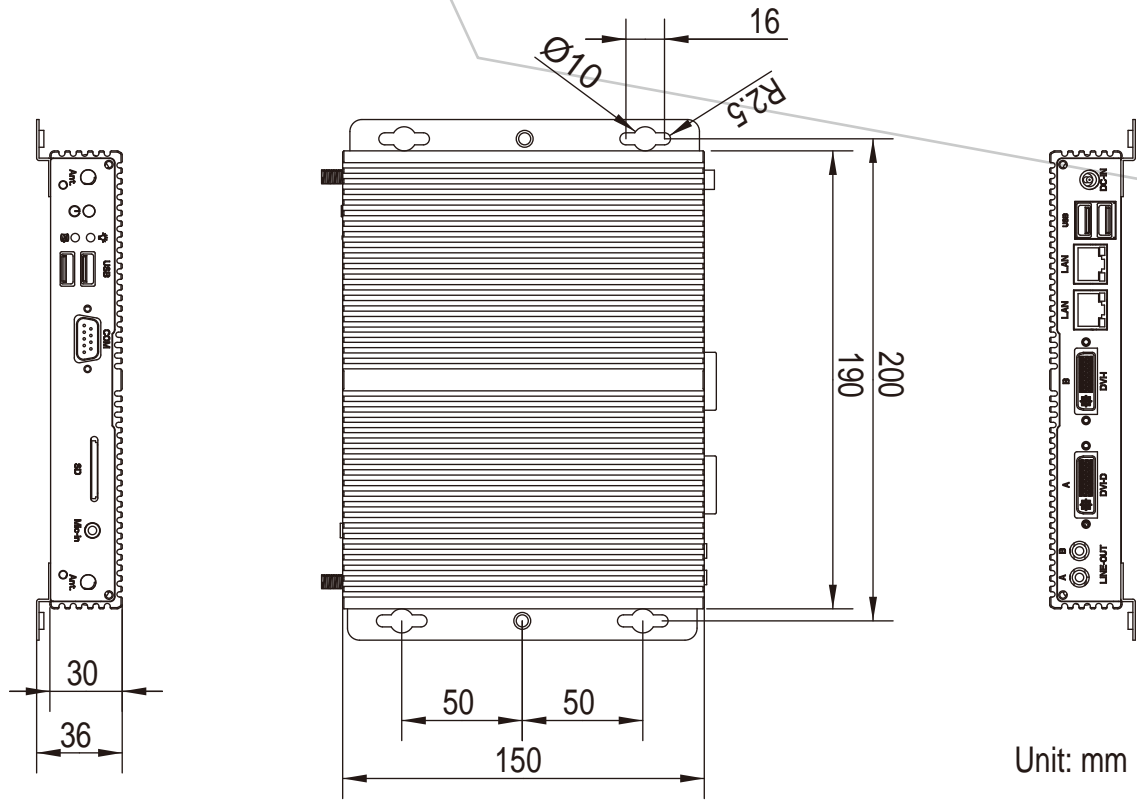
Construction	Aluminum alloy
Mounting	Support VESA-mount/wall-mounting
Weight	TBD
Dimensions (W x D x H)	190 x 150 x 30 mm (7.48" x 5.91" x 1.18")

Ordering Information

ELIT-1000	Barebone system w/o storage device, memory
------------------	--



Dimensions



Optional Accessories

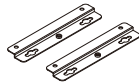
PAC-M065W
65W AC/DC adapter kit



Power Input 100 ~ 240 VAC

Power Output 19VDC, 3.4A, 65W

WMK-1000
Wall-mount kit



Material SPCC+Ni

Dimensions (W x D x H) 145 x 32 x 6 mm
(5.71" x 1.26" x 0.23")

Optional Configuration (CTOS* Kit)

MK-3C-2G-1



DDR3-1333 2GB SDRAM DIMM1 kit

Brand/Type Intel / 2.5 inch

Interface SATAII

Capacity 80GB

Dimensions (W x D x H) 100.45 x 69.85 x 9.5 mm
(3.95" x 2.75" x 0.37")

SSD-25080
Intel® 2.5" 80GB SATAII SSD kit



WiFi-3500



802.11 b/g/n WiFi module kit w/ 2dBi WiFi antenna & 15cm internal wiring

*CTOS means Configure to Order Service.