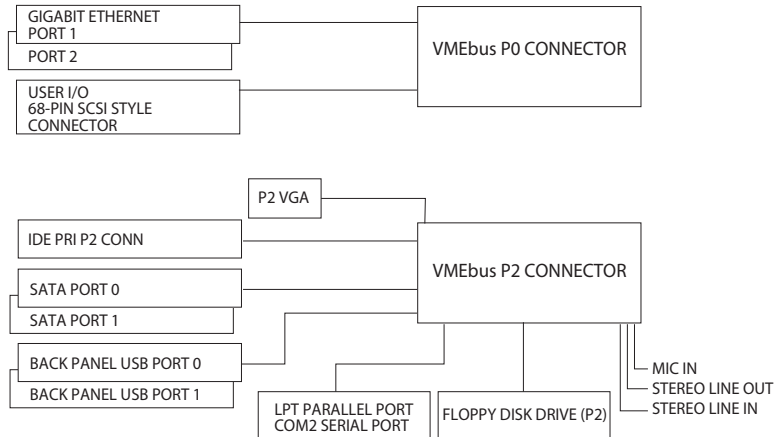


# VME Rear Transition Modules

## XVME-990 Rear Transition Module for the XVME-689 / 690 / 6200



Variety of additional connectors ◆ Available with and without P0 ◆ Connects to external storage units

### Description

Acromag's XVME-990 rear transition module adds a variety of new connectors to the XVME-689, 690 and 6200. Two configurations are available, with or without P0 and User I/O connector.

The XVME-990 is used to connect an external DVD, CD-ROM or hard drive and a floppy drive or use the SATA interface with your XVME-689/690/6200 processor module. In addition, the rear USB ports, video, sound I/O, Ethernet, and user I/O from the on-board PMC site (if configured with the VMEbus P0).

### Key Features & Benefits

- I/O available on the board via standard connectors:
  - SATA (2)
  - Floppy
  - 26-pin parallel
  - COM3, COM4
- Available via front panel:
  - USB (2)
  - COM2
  - Line-in, line-out
- Available via socket connectors:
  - Ethernet
  - VGA
  - COM3

### Ordering Information

#### ■ XVME-990-00A-X

- A = P0
- 1 - With P0
- 2 - No P0
- X = Solder
- L - Lead solder
- LF - Lead-free solder



Tel 248-295-0885 ■ [xembeddedsales@acromag.com](mailto:xembeddedsales@acromag.com) ■ [www.acromag.com/xembedded](http://www.acromag.com/xembedded) ■ 30765 Wixom Rd, Wixom, MI 48393 USA