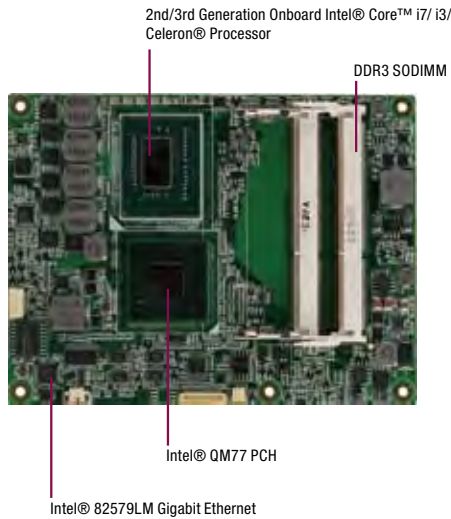


COM-QM77 Rev.B

COM Express Type 6 CPU Module with Onboard Intel® Core™ i7/i5/i3/Celeron® Processor (3rd Generation)



Specifications

System	
Form Factor	COM Express Basic module, Pin-out Type 6, COM. 0 Rev. 2.0
Processor	Onboard 3rd Generation Intel® Core™ i7/i5/i3/Celeron® Processor (3rd Generation, FCBGA1023)
System Memory	204-pin DDR3 SODIMM x 2, Max. 16GB (DDR3 1333/1600), support dual-channel function
Chipset	2nd Generation Intel® QM77
I/O Chipset	2nd Generation Intel® QM77
Ethernet	Intel® 82579LM, 10/100/1000Base-TX
TPM	v1.2 (optional)
BIOS	AMI BIOS SPI type, 16MB ROM
EEPROM	Atmel® AT24C02, save BIOS and configuration data (Optional)
Wake On Lan	Yes
Watchdog Timer	ITE8518E-L, 255 levels
H/W status Monitoring	Supports CPU Temperature Monitoring
Expansion interface	PCI-Express [x16] x 1 PCI-Express [x1] x 7 LPC bus x 1 SMBus x 1 UART x 2 (TX/RX only)
Power Requirement	+12V only 2-pin wafer for RTC battery
Power Consumption	Intel® i3-3217UE 1.6GHz, DDR3 4GB 2.23A@+12V (w/ ECB-917T)
Board Size	4.92" (L) x 3.74" (W) (125mm x 95mm)
Gross Weight	0.66lb (0.3kg)
Operating Temperature	32°F ~ 140°F (0°C ~ 60°C)
Storage Temperature	-40°F ~ 176°F (-40°C ~ 80°C)
Operating Humidity	0% ~ 90% relative humidity, non-condensing
MTBF (Hours)	83,000
Display	
	Supports HDMI /DP, CRT or HDMI /DP/ DVI simultaneous/ three view displays
Chipset	Intel® Core™ i7/i5/i3/Celeron® processor integrated DirectX 11, OpenGL *3.1, OpenCL* 1.1 Integrated hardware MPEG2 decoder
Memory	Shared system memory up to 512MB/ DVM T 5.0
Resolution	Up to 2560 x 2048 for CRT (two display), 2048 x 1536 for three displays Up to 1920 x 1200 (UXGA) for LCD/HDMI Up to 2560 x 1600 for DP Up to 2548 x 1536 for DVI
LCD Interface	Up to 24-bit dual-channel LVDS
HDMI	Supports HDMI x 2
DVI	Supports DVI x 2
DisplayPort	Supports DisplayPort™ x 2

Features

- Onboard 3rd Generation Intel® Core™ i7/ i5/ i3/ Celeron® Processor (FCBGA1023)
- 2nd Generation Intel® QM77 PCH
- Dual-channel SODIMM DDR3 1333/1600 Memory, Max. 16 GB
- Gigabit Ethernet (iAMT 8.0 Support)
- CRT, Up to 24-bit Dual-channel LVDS LCD, DisplayPort™
- SATA 6.0Gb/s x 2 + SATA 3.0Gb/s x 2
- USB3.0 x 4, USB2.0 x 8
- PCI-Express [x16] x 1, PCI-Express [x1] x 7
- COM Express Basic Module, Pin-out Type 6, COM.0 Rev. 2.0



I/O	
Storage	SATA 3.0Gb/s x 2 SATA 6.0Gb/s x 2
Serial Port	UART x 2 (TX/RX only)
Parallel Port	—
USB	USB2.0 x 8 USB 3.0 x 4
PS/2 Port	—
IrDA	—
Audio	High definition audio
GPIO	Up to 4 in and 4 out

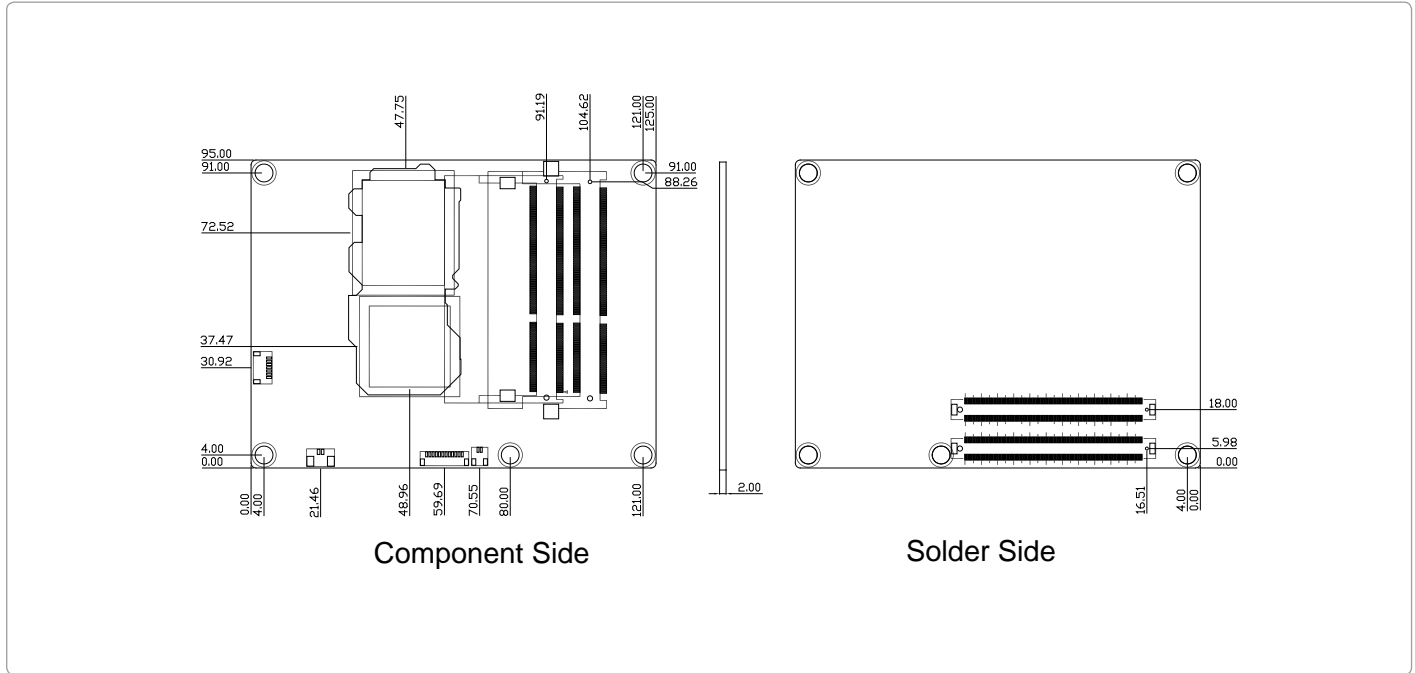
Packing List

- M2.5 Screw x 5
- Product CD
- COM-QM77 Rev.B

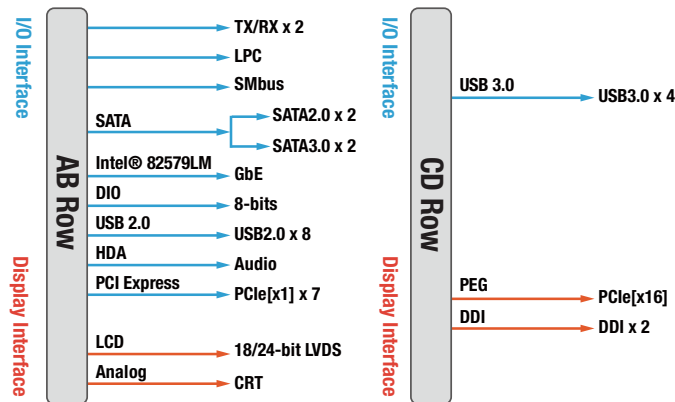
COM-QM77 Rev.B

Dimension

Unit: mm



Block Diagram



Optional Accessories

- **TF-ECB-917T-A10**
COM Express Type 6 Carrier Board, Mini-ITX, Dual Gigabit Ethernet, 2.1CH Audio, 4 COM, USB3.0, PCI-Express, AT/ATX, Rev. A1.0
- **TF-PER-A122**
Heat Spreader, For COM-QM77, Onboard CPU
- **TF-PER-A115**
CPU Cooler, 45W, for COM Express Basic Size to be used with Heat Spreader

Ordering Information

Part Number	COM Express Type	Chipset	CPU	Memory	Display	LVDS	Storage	LAN	USB	URAT	Expansion Slot	Power	Temp.
COM-QM77-B10	6 (COM.0 Rev.2.0)	QM77	3rd Generation Intel® Core™ i7-3555LE/2.5G (FCBGA1023)	DDR3 SODIMM x 2 Max.16GB	CRT, LVDS, HDMI, DP, DVI	24-bit dual channel	SATA3 x 2 SATA2 x 2	GbE x 1	USB3.0 x 4 USB2.0 x 8	2 (TX/RX)	PCI-E [16] x 1, PCI-E [1] x 7	12V	0°C ~ 60°C
COM-QM77-B10-01	6 (COM.0 Rev.2.0)	QM77	3rd Generation Intel® Core™ i7-3517UE/1.7G (FCBGA1023)	DDR3 SODIMM x 2 Max.16GB	CRT, LVDS, HDMI, DP, DVI	24-bit dual channel	SATA3 x 2 SATA2 x 2	GbE x 1	USB3.0 x 4 USB2.0 x 8	2 (TX/RX)	PCI-E [16] x 1, PCI-E [1] x 7	12V	0°C ~ 60°C
COM-QM77-B10-02	6 (COM.0 Rev.2.0)	HM76	3rd Generation Intel® Core™ i3-3217UE/1.6G (FCBGA1023)	DDR3 SODIMM x 2 Max.16GB	CRT, LVDS, HDMI, DP, DVI	24-bit dual channel	SATA3 x 2 SATA2 x 2	GbE x 1	USB3.0 x 4 USB2.0 x 8	2 (TX/RX)	PCI-E [16] x 1, PCI-E [1] x 7	12V	0°C ~ 60°C