

RTC-700T

7" Rugged Tablet Computer



Features

- Intel® Atom™ Z670 Processor (Formerly Lincroft)
- Intel® SM35 Express Chipset (Formerly Whitney Point)
- DDR2 1GB SDRAM
- 7" WSVGA (1024 x 600) TFT LCD Display
- Projected Capacitive Multi-Touch Screen
- Li-Polymer High-Capacity Battery, 4 Hours Battery Life
- Rugged, Water and Dust Proof, IP-65 Compliance
- Micro SD Card Slot, 5M Pixel Camera
- WLAN 802.11 b/g/n , Bluetooth® 2.1 + EDR
- GPS Navigation, G-Sensor, Light Sensor
- Windows® 7



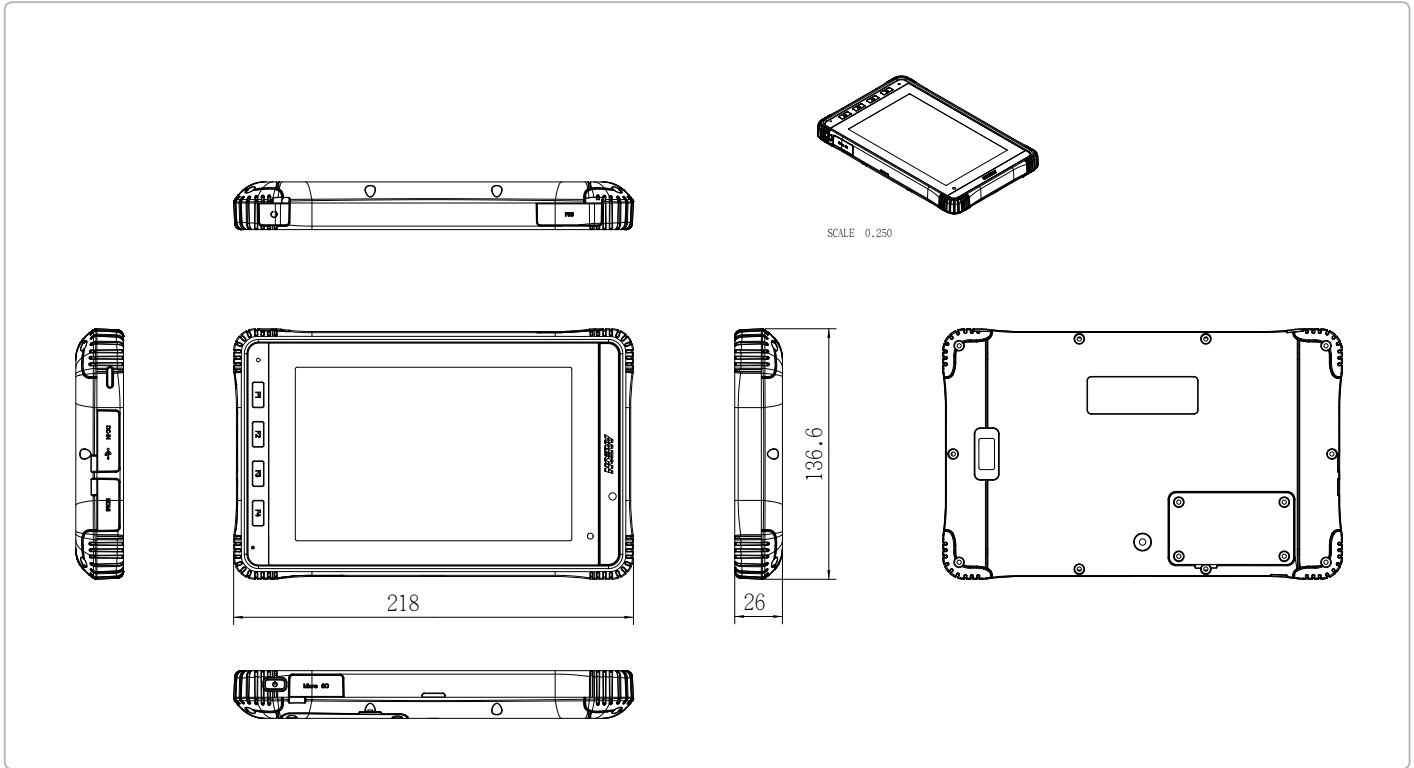
Specifications

System	
Processor	Intel® Atom™ Z670 Processor (Formerly Lincroft)
Chipset	Intel® SM35 Express Chipset (Formerly Whitney Point)
System Memory	DDR2 1GB SDRAM
LCD Display	7" WSVGA (1024 x 600) TFT LCD with Projected Capacitive Touch screen panel
Communication	WLAN 802.11 b/g/n Bluetooth® 2.1 + EDR (Bluetooth® keyboard/Mouse support) 3G modem module (Optional)
I/O Port	DC-in Jack x 1 Mini HDMI x 1 SIM card Slot x 1 Mini USB x 1(Client) Micro SD Card Slot x 1 Built-in Speaker & Microphone 3.5mm stereo headphone jack x 1 Barcode Scanner (Optional)
Storage	16GB mSATA SSD 40GB mSATA SSD (Optional)
Navigation	GPS
Camera	2M pixel camera (Front) (Optional) 5M pixel camera (Rear)
Other	Built-in Light Sensor Built-in G-Sensor
OS	Windows® 7
Mechanical	
Color	Black
Dimension	5.38" x 8.58" x 1.02" (136.6mm x 218mm x 26mm)
Gross Weight	1.5 lb (0.7kg)
Carton Dimension	—
Environmental	
Operating Temperature	-4°F ~ 140°F (-20°C ~ 60°C)
Storage Temperature	-67°F ~ 167°F (-55°C ~ 75°C)
Operating Humidity	10 to 95% @ 40°C, non-condensing
Water & Dust Proof	IP-65 compliance
Vibration	Meets MIL-STD-810G-514.6, Procedure I Cat. 24, Fig. 514.6E-1 & 514.6E-2 (Unit is non-operating) ASTM 4169-99 Truck Assurance Level II, Schedule E (Unit is operating)
Drop	26 drops of 48 inches height to 2" plywood over concrete with unit off
ESD	Air +/- 8KV, Contact +/- 4KV
EMC/ Safety	CE / FCC Class B / UL

RTC-700T

Dimension

Unit: mm



Power Supply	
AC/ DC Adapter	AC Power input: 100V-240V, 50Hz-60Hz, 12V/2A, 24W DC Power output: 12V/ 2A
Battery	Li-Polymer high capacity battery (27Whr), 4 Hrs Battery Life
LCD	
Display Type	7" 16:10 TFT LCD
Max. Resolution	1024 x 600
Max. Color	262K
Dot Size	0.150(V) x 0.150(H) mm
Luminance	400 cd/m ²
View Angle	Horizontal 178° (Typical) Vertical 178° (Typical)
Touch Screen	
Type	Projected Capacitive Multi-Touch Panel
Light Transmission	≥87%

Ordering Information

- **TF-RTC-700T-WBG-1110**
RTC, Atom™ Z670 1.5GHz, 7" TFT LCD, DC12V, PCT, 1GB RAM, 16GB mSATA, Windows® 7, WiFi/BT/GPS

Optional Accessories

- **3G Modem Module**
- **Carry Bag**
- **Vehicle DC/DC Adapter**
- **Barcode Scanner**