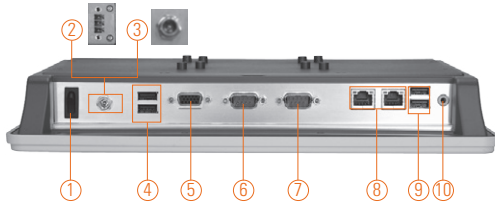


GOT5120T-832

12.1" XGA/SVGA TFT Fanless Touch Panel Computer with Intel® Atom™ Processor N2600



- | | |
|--|---------------------------|
| 1. Power switch (ATX) | 6. COM 1 (RS-232/422/485) |
| 2. Terminal block for DC power input or 3. Screw conn. w/ AC power adapter | 7. COM 2 (RS-232) |
| 4. USB 2.0 x 2 | 8. Ethernet x 2 |
| 5. VGA | 9. USB 2.0 x 2 |
| | 10. Audio (Line-out) |



Introduction

The GOT5120T-832 is a 12.1" Intel® Atom™-based fanless touch panel computer. In response to market demand, this panel computer is a cost effective solution. It adopts a modern, super sleek and fanless design and is equipped with a 12.1" TFT LCD as well as Intel® Atom™ processor N2600 1.6 GHz. For wireless network connection, the GOT5120T-832 offers a PCI Express Mini Card slot. By just plugging in the mini card WLAN card, customers can have instant access to wireless LAN/GPRS/GSM/4G environments. Besides, it provides two types of power input. One is DC power input (10-30VDC) with terminal block connector, and another is AC power adapter with screw type connector.

Super Slim & Ultra Lightweight Design

The GOT5120T-832 is a super slim touch panel computer for space-limited environment with its thickness of 52 mm and weight of 2.4 kg only, which make it installed everywhere.

Built-in Internal WLAN Antenna

The GOT5120T-832 provides a PCIe Mini Card slot and a built-in WLAN antenna for wireless network connections. By simply plugging in the wireless LAN card, customers can use the GOT5120T-832 in a wireless LAN/GPRS/ GSM/4G environments.

Aluminum Back Chassis with Excellent Thermal Solution

With Axiomtek's patent for plastic plus aluminum mechanism design, the GOT5120T-832 can dissipate the heat easily and keep the system operation stable.

Features

- 12.1" XGA/SVGA TFT LCD display with LED backlight
- Fanless design with Intel® Atom™ processor N2600 2 cores @1.6 GHz
- Supports WLAN module and internal antenna
- Supports 2 Gigabit LAN, 4 USB & 2 COM ports
- PCI Express Mini Card slot for easy expansion
- Supports optional panel mount/wall mount/VESA arm/desktop stand
- Supports RFID (optional)/speaker (optional)
- Plastic and IP65-rated front bezel



▲ Side view



▲ Desktop stand

Specifications

Front Bezel	IP65, NEMA 4 rugged protection, plastic front bezel	
LCD Panel	Display Type	12.1" XGA/SVGA TFT LCD with LED backlight
	Brightness (cd/m ²)	500 nits (XGA) 450 nits (SVGA)
	Resolution	1024 x 768 (XGA) 800 x 600 (SVGA)
	Viewing Angel (H/V)	160°/140°
Main System	CPU	Intel® Atom™ processor N2600 2 cores @1.6 GHz
	Chipset	Intel® NM10
	System Memory	1 x 204-pin DDR3 800/1066 MHz SO-DIMM max. up to 2GB
	BIOS	AMI UEFI BIOS
	Storage	1 x 2.5" SATA HDD 1 x CompactFlash™
	Watchdog Timer	255 levels, 0-255 sec.
	Onboard Graphics	Integrated in Intel® GFX



Specifications

I/O Connector	1 x RS-232 (COM 2) 1 x RS-232/422/485 (default RS-232, COM 1) 1 x VGA 1 x Audio (Line-out) 4 x USB 2.0 2 x 10/100/1000 Mbps Ethernet
Expansion Interface	1 x PCI Express Mini Card slot
Touchscreen	Resistive type
Power Input	1. DC version: 10-30VDC with over-current protection fuse 2. AC version: 100-240V AC-DC 60W power adapter
Power Consumption	30W
Dimensions	327.5 mm (12.9") (W) x 52.5 mm (2.07") (D) x 261.8 mm (10.3") (H)
Packing Dimensions	455 mm (17.91") (W) x 105 mm (4.13") (D) x 340 mm (13.39") (H)
Weight (net/gross)	2.48 kg (5.46 lb)/3.84 kg (8.46 lb)
Environment	Operating temperature: 0° ~ +50°C (+32°F ~ +122°F) (with W.T. DRAM/HDD in airflow condition) 0° ~ +45°C (+32°F ~ +113°F) (with W.T. DRAM/HDD) Relative humidity: 20% ~ 90% @ 40°C; non-condensing Operation vibration: 2G, 5 ~ 500Hz, random for CompactFlash™
Certificate	UL 60950-1, CE

* Specification and certifications are based on options and may vary.

** W.T.: Wide Temperature. All W.T. supported products have to be sorted by Axiomtek.

Ordering Information

GOT5120T-832-J	12.1" SVGA fanless touch panel computer with Intel® Atom™ processor N2600, 5-wire resistive touch screen, AC-DC 60W power adapter (screw type connector) and EMI class B
GOT5120T-832-DC	12.1" SVGA fanless touch panel computer with Intel® Atom™ processor N2600, 5-wire resistive touch screen and 10-30VDC power input (terminal block connector)
GOT5120T-832-XGA-J	12.1" XGA fanless touch panel computer with Intel® Atom™ processor N2600, 5-wire resistive touch screen AC-DC 60W power adapter (screw type connector), and EMI class B
GOT5120T-832-XGA-DC	12.1" XGA fanless touch panel computer with Intel® Atom™ processor N2600, 5-wire resistive touch screen and 10-30VDC power input (terminal block connector)

* Specification and certifications are based on options and may vary.

Optional EOS Installation

WES

WES 7

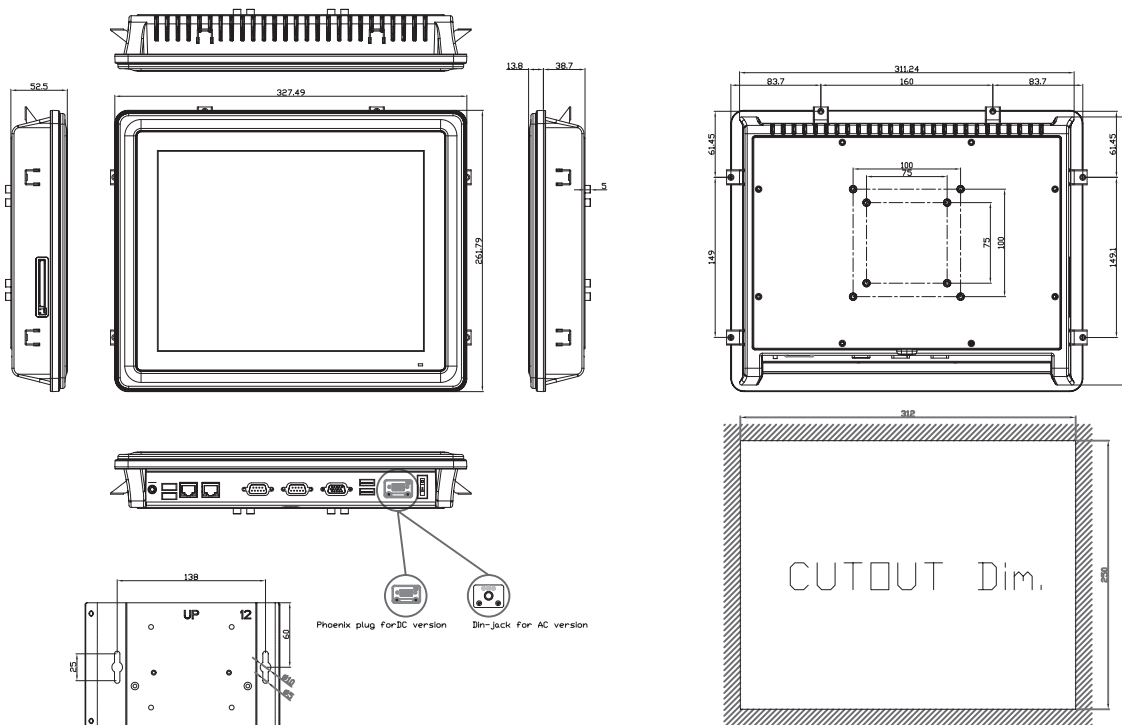
Optional OS Installation

Windows® XP

Windows® 7



Dimensions



Overview

1
Fanless Touch Panel Computers

Heavy-duty Fanless Touch Panel Computers

Industrial Touch Panel Computers

Industrial Touch panel Monitors

Infotainment Touch Panel Computers

Healthcare & Medical Solutions

Open Frame Panel Computers

Accessories

