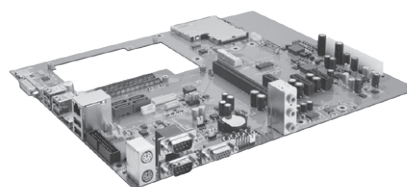
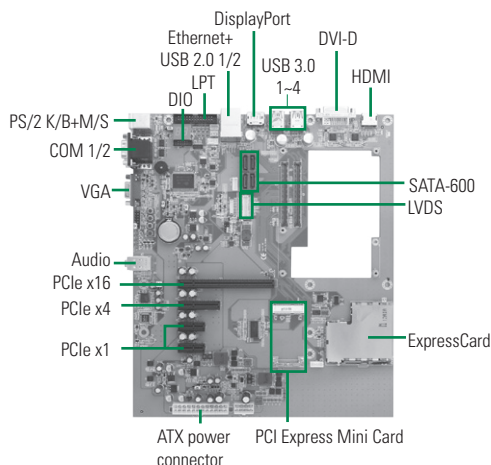


CEB94006

COM Express Type 6 Development Baseboard

Features

- COM Express type 6 baseboard for evaluation purpose
- USB 3.0 supported
- Port 80 display for debugging
- Switch button for PWRBTN, RESET, SLEEP, LID



▲ Side view



Core System

CPU	COM Express™ type 6 module
System Memory	On the module
Chipset	SoC integrated
BIOS	On the module
SSD	N/A
Watchdog Timer	255 levels, 1~255 sec.
Expansion Interface	1 x PCIe x16 1 x PCIe x4 1 x PCI Express Mini Card 1 x ExpressCard slot 2 x PCIe x1
Battery	Lithium 3V/220mAh
Power Requirements	TBD
Size	244 x 291 mm
Board Thickness	1.6 mm
Temperature	0°C ~ +60°C (32°F ~ 140°F), operation
Operation Humidity	10% ~ 95% relative humidity, non-condensing

I/O

MIO	1 x PS/2 keyboard 1 x PS/2 mouse 1 x LPT 2 x RS-232
SATA	4 x SATA-600 connector
Hardware Monitoring	Detect CPU/system temperature, voltage and fan speed
Ethernet	1 x RJ-45 for 10/100/1000 Mbps
Audio	HD audio with Line-in/Line-out/MIC-in
USB	2 x USB 2.0, 4 x USB 3.0
SPI	Yes
SMBus	Yes
Digital I/O	4 channels IN & 4 channels OUT
Port 80 Display	Dual 7 segments Port 80 display for convenient debugging purpose through LPC interface
Display	1 x LVDS; 18/24-bit single/dual channel 1 x VGA 1 x DisplayPort 1 x HDMI 1 x DVI-D

Packing List

Quick installation guide, user's manual/utility CD

Ordering Information

Standard	
CEB94006DGA (P/N: E394006100)	COM Express™ Type 6 evaluation baseboard with PCI Express Mini Card, GbE LAN, DisplayPort/HDMI and multiple I/O features
Compliant Modules	
CEM860	COM Express Type 6 Module with 2th generation Intel® Core™ i7/i5/i3 and Celeron®, DDI/LVDS/VGA, GbE LAN
CEM880	COM Express Type 6 basic Module with 4th generation Intel® Core™ i7/i5/i3 and Celeron®, DDI/LVDS/VGA, GbE LAN and USB 3.0
CEM881	COM Express Type 6 Compact Module with 4th generation Intel® Core™ i7/i5/i3 and Celeron®, DDI/LVDS, GbE LAN and USB 3.0
CEM842/3	COM Express Type 6 Compact Module with intel® E3845/J1900/N2807, DDI/VGA/LVDS, GbE LAN
CEM500	COM Express Type 6 Basic Module with 6th generation Intel® Xeon® and Core™ i7/i5/i3, DDI/VLDS, GbE LAN, USB 3.0 and TPM
CEM501	COM Express Type 6 Compact Module with 6th generation Intel® Core™ i7/i5/i3, DDI/VLDS, GbE LAN, USB 3.0 and TPM

