

# MT5C/8C Series

Incandescent or **LED**

- Optional LED bulbs available
- Selectable Steady or Flashing Modes
- Prism-cut lenses for even light distribution
- Various mounting options
- Wire leads or Terminal connection
- Add-on Buzzer (80 dB) kit available
- NEMA 12, 3R / IP54 rated



## Specifications

Power Supply		24VAC/DC	110~120VAC	220~240VAC	
Current Draw	Bulb	1 Stack	0.4 A	0.09 A	0.04 A
		2 Stack	0.8 A	0.18 A	0.08 A
		3 Stack	1.3 A	0.27 A	0.12 A
		4 Stack	1.7 A	0.36 A	0.16 A
		5 Stack	2.0 A	0.45 A	0.20 A
Buzzer		30 mA			
LED Life-Span		10,000 hours (minimum)			
Degree of Protection		IP54 (IP40 with buzzer)			
Sound Level		80 ± 5dB at 1 meter			
Flashing rate		80 times/minute			
Rating		NEMA 12, 3R / IP 56			
Certificate/compliance		UL, CE, RoHS			
Vibration		3mm at 10~55Hz			
Ambient Temp.		-15°C~40°C			
Ambient Humidity		45~85% RH			
Recommended Wire Size		1007 UL / 22 AWG			

## Replacement Parts

\*Note: Max. number of tier including Buzzer is 5.

LED		LED-T15-D-12-C	12V DC
		LED-T15-D-24-C	24V DC
		LED-T15-D-110-C	110~120V AC
BULB		MAB-T15-D-024-10	24V AC/DC, 10W
		MAB-T15-D-120-10	110~120V AC, 10W
		MAB-T15-D-240-10	220~240V AC, 10W
Lens	—	MAL-5(□)	Ø56mm
		MAL-8(□)	Ø85mm

(□): indicates color of LED or Lens; R, Y, G, B or C

## Ordering Information

<b>MT</b>	<b>5</b>	<b>C</b>	<b>5</b>	<b>A</b>	<b>L</b>	<b>-</b>	<b>RYGBC</b>
	①	②	③	④	⑤		⑥

① Lens Diameter	<b>5</b>	Ø56mm
	<b>8</b>	Ø85mm
② Light Style	<b>C</b>	Steady & Flashing
③ Number of Stacks	<b>1</b>	1 Light
	<b>2</b>	2 Lights
	<b>3</b>	3 Lights
	<b>4</b>	4 Lights
	<b>5</b>	5 Lights
④ Power Supply	<b>A</b>	24V AC/DC
	<b>B</b>	110~120V AC
	<b>C</b>	220~240V AC
⑤ Connection	<b>L</b>	Lead Wires
	<b>T</b>	Screw Terminals
⑥ Lens Colors (top to bottom)	<b>R</b>	Red
	<b>Y</b>	Yellow
	<b>G</b>	Green
	<b>B</b>	Blue
	<b>C</b>	Clear

## Buzzer Kit

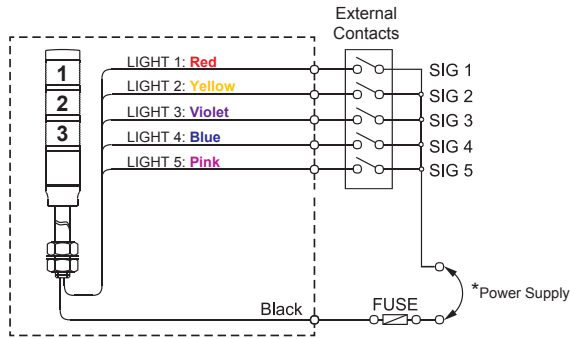
MPZ	-	<b>56</b>	<b>A</b>
Power Supply			
<b>A</b>	24V AC/DC, 80dB (30mA)		
<b>B</b>	110~120V AC, 80dB (30mA)		
<b>C</b>	220~240V AC, 80dB (30mA)		
Buzzer Size (Diameter)			
<b>56</b>	Ø56mm (for MT5C Series)		
<b>85</b>	Ø85mm (for MT8C Series)		

See page B1 - B2  
for mounting options and accessories

# Wiring Diagram

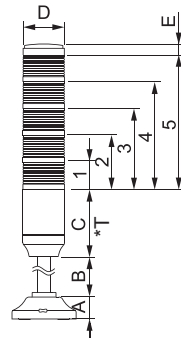
## MT4B/5B/8B

**12V & 24V AC/DC**     **110 - 120V AC**  
**220 - 240V AC**     **Steady Lights**



\* No polarity for DC applications.

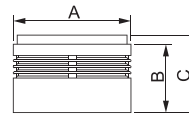
# Dimensions unit: mm



Symbol	Model		
	MT4B	MT5C* MT5B	MT8C* MT8B
A	29	29	29
B	185	185	185
C	72	95	108
*T	N/A	173*	188*
D	45	56	85
E	10.5	15	15
1	46	68	68
2	92	136	136
3	138	204	204
4	184	272	272
5	230	340	340

\*Terminal board style for MT5C/MT8C

▪ **Buzzer Kit**  
 MPZ-56  
 MPZ-85

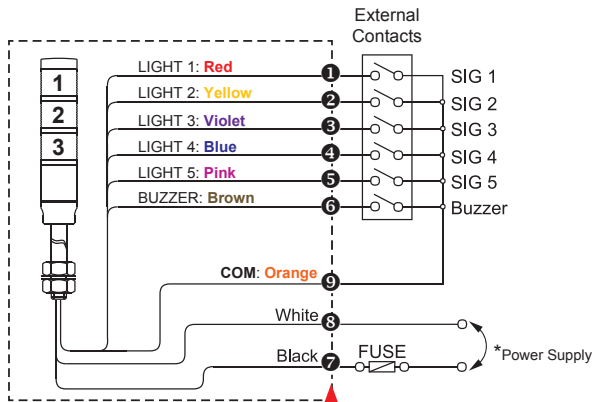


Symbol	MPZ-56	MPZ-85
A	56	86
B	48	50
C	54	56

## MT5C/8C

### Lead Wire Type

**24V AC/DC**     MT5C□AL-□□□□     MT8C□AL-□□□□  
**Steady & Flashing (w/Buzzer)**

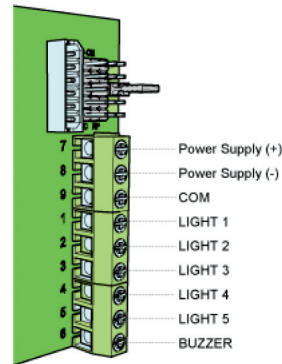


\* No polarity for DC applications.

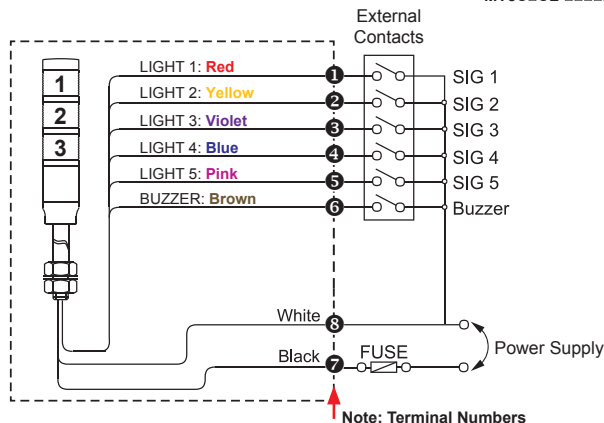
Note: Terminal Numbers

### Terminal Type

**24V AC/DC**     MT5C□AT-□□□□     MT8C□AT-□□□□  
**Steady & Flashing (w/Buzzer)**

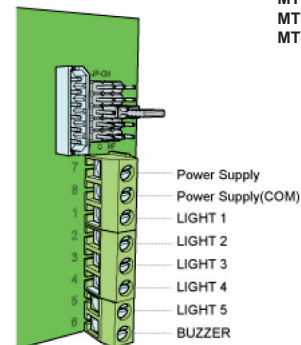


**110~120V AC, 220~240V AC**     MT5C□BL-□□□□     MT8C□BL-□□□□  
**Steady & Flashing Lights (w/Buzzer)**     MT5C□CL-□□□□     MT8C□CL-□□□□



Note: Terminal Numbers

**110~120V AC, 220~240V AC**     MT5C□BT-□□□□     MT8C□BT-□□□□  
**Steady & Flashing Lights (w/Buzzer)**     MT5C□CT-□□□□     MT8C□CT-□□□□



Tower Lights

Beacon Lights

LED Indicators Pilot Lamps

Buzzer Alarms

Pushbutton Switches

Limit Switches

Foot Switches

Relays Sockets

Relay Connector Terminal

SSR

Enclosures

Terminal Blocks

Fuse Holders

Geared Motors