

FPC-3502

Robust Vehicle Computer with Intel® Atom™ D525 Platform



Features

- Ultra Low Power and Fanless Design
- 2 x RS-232 and 2 x RS-232/422/485 Serial ports with 12V Power Output
- Smarter Ignition Power On/Off, Delay-time and Low Voltage Protection
- Over-voltage and Reversed Power Input Protection
- Isolated Digital I/O with +12/+5V Power Output
- Multiple Wireless Communication Module (3.75G, GSM/GPRS, WLAN)
- Wide Range DC Power Input (6~32V)
- Multiple Expansion (1 x PCIe x1, 1 x PCI, 1 x CF, 1 x SD, 1 x SIM)
- Rugged Design for Shock/Vibration Protection
- Easy Installation/Maintenance

System

CPU	Soldered onboard Intel® Atom™ D525 1.8GHz CPU
Memory	2 x 204-pin Dual channel DDR3 SO-DIMM sockets up to 4GB at 800MHz
Chipset	Intel® Atom™ D525 + ICH8M
Graphics	Integrated Intel® GMA3150
SATA	2 x Serial ATA ports with 300MB/s HDD transfer rate
Connectivity	GPS module (SiRF Star III solution) (optional) 802.11b/g/n Wireless Mini-card (optional) HSUPA (3.75G) Mini-card (optional)
Watchdog Timer	1~255 levels reset

I/O

Serial Port	2 x RS-232 and 2 x RS-232/422/485 ports
USB Port	6 x USB2.0 ports (2 x waterproof connectors for four USB 2.0 ports)
LAN	1 x RJ-45 for Gigabit Ethernet
Video Port	2 x DB-15 female connectors for Analog RGB (Clone mode) 1 x DB-26 male connector for single/dual channel 18/24-bit LVDS output
Digital I/O	1 x 16-bit digital I/O (8 in/8 out) 1 x DB-26 female connector for 8-in/ 8-out isolated I/O and +12/+5V power output (rating 1A, PTC FUSE 2~2.5A)
Antenna	4 x SMA-Female connectors with cap for external antennas, two for WiFi, one for mobile wireless (HSUPA), one for GPS
Audio	Mic-in/Line-out (6W pre-amplified)
Expansion Bus	1 x PCIe x1 slot, 1 x PCI slot 1 x Mini-card slot 1 x Mini-card slot interconnect with SIM card socket for HSUPA module SIM card socket (outside accessible)

Environmental

Operating Temp.	-25 ~ 55°C (-13 ~ 131°F), ambient w/ air flow
Storage Temp.	-40 ~ 85°C (-40 ~ 185°F)
Relative Humidity	10 ~ 95% @ 40°C (non-condensing)
Vibration	EN50155-T1 and EN61373: 1999 Class B standard compliant
Shock & Crash	EN50155-T1 and EN61373: 1999 Class B standard compliant

Qualification

Certification	CE, FCC, e1 Mark
----------------------	------------------

All specifications are subject to change without notice.

Power Requirement

Power Input	DC input 6~32V w/ 3-pin terminal block
Power Output	2 x 1-pin lockable jack for 12V/1A power output
FUSE	1 x FUSE receptacle w/ cover (outside accessible)
Power Consumption	25W with 15 Amp.

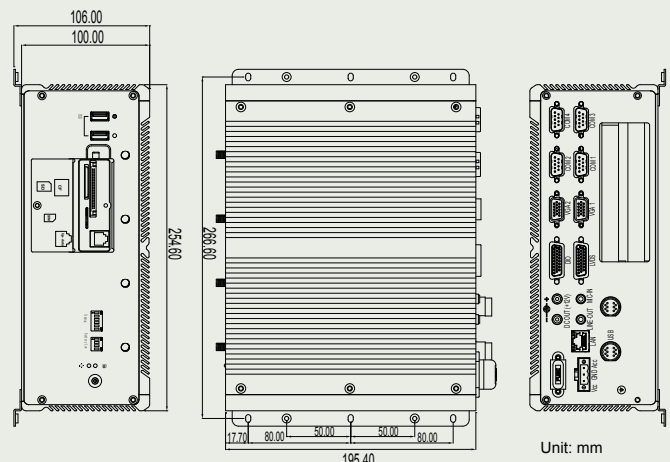
Storage

Type	2 x 2.5" drive bay for HDD/SSD 1 x CompactFlash Type II Socket (outside accessible) 1 x SD socket (outside accessible)
-------------	--

Mechanical

Construction	Aluminum alloy
Mounting	Support wall-mounting
Weight	4.06 kg (8.94lb)
Dimensions (W x D x H)	254 x 195 x 100 mm (10" x 7.68" x 3.94")

Drawing



Ordering Information

FPC-3502B	Vehicle BOX Barebone w/o memory & storage
FPC-3502A	Vehicle Advanced Barebone with HSUPA, GPS, WiFi
WMK-5000	Wall-mount kit
FK-35G	GPS kit, w/ module, antenna, cable
FK-35W	WiFi kit, w/ module, antenna, cable
FK-35H	HSUPA kit, w/ module, antenna, cable
SSD-25080	Intel® 2.5" 80GB SATAII SSD kit