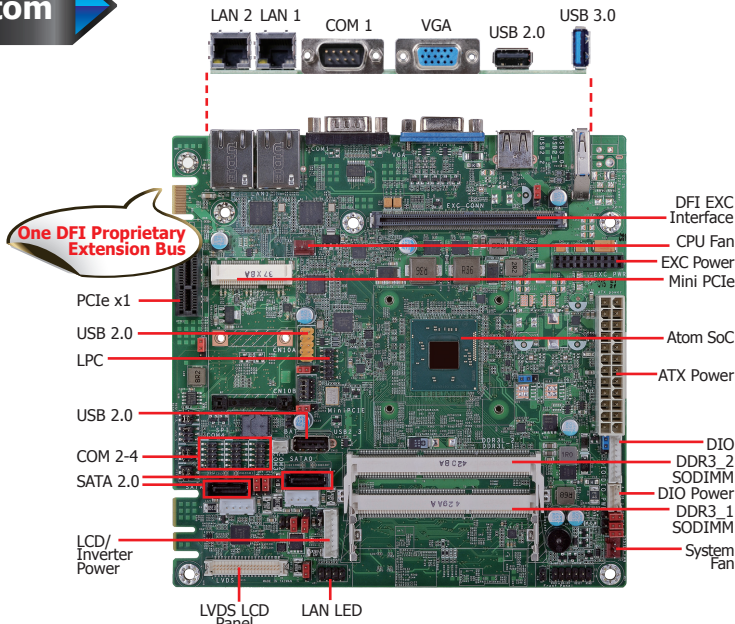




BT160

Atom



Features

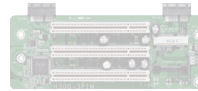
MEMORY	2 DDR3L SODIMM up to 8GB (-E45/-E27/-E26/-J00/-N30) 1 DDR3L SODIMM up to 4GB (-E25/-E15/-N07)
EXPANSION	1 PCIe x1 1 Mini PCIe 1 DFI Proprietary Extension Bus 1 DFI EXC interface
DISPLAY OUTPUTS	1 VGA, 1 LVDS
LAN	2 LAN
COM	4 COM
USB	5 USB: 1 USB 3.0, 4 USB 2.0
STORAGE	2 SATA 2.0
DIO	8-bit DIO



5 Riser Cards for DFI Proprietary Extension Bus

H Series:

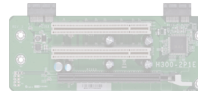
T Series:



- 3 PCI



- 3 PCI



- 1 PCIe x16 (x1 signal)

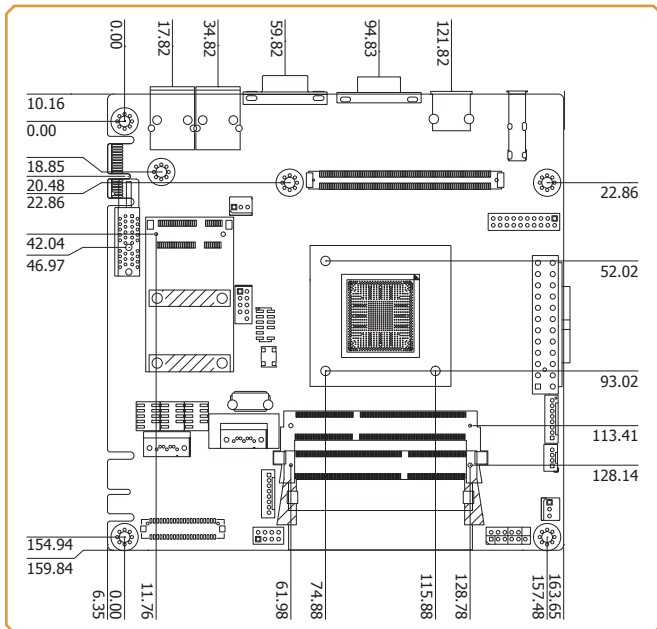


- 1 PCIe x16 (x1 signal)

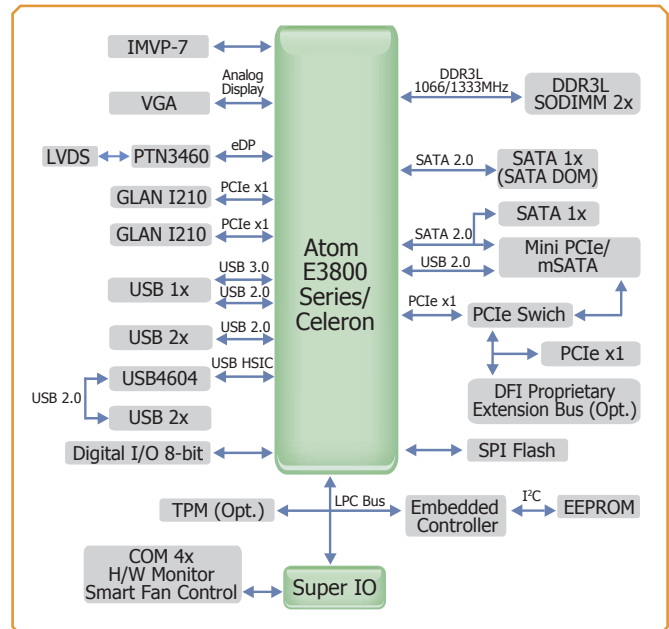


- 1 PCIe x8 (x1 signal)

Mechanical Drawing



Block Diagram



BT160

Specifications * Optional and is not supported in standard model. Please contact your sales representative for more information.

PROCESSOR

- Intel® Atom™/Intel® Celeron® processors
- BGA 1170 packaging technology
- 22nm process technology
- Please refer to the Ordering Information below*

SYSTEM MEMORY

- Two 204-pin DDR3L SODIMM sockets (-E45/-E27/-E26/-J00/-N30)
 - up to 8GB system memory
 - dual channel memory interface
- One 204-pin DDR3L SODIMM socket (-E25/-E15/-N07)
 - up to 4GB system memory
 - single channel memory interface
- Supports DDR3L 1333MHz (-E45/-E27/-J00/-N30/-N07)
- Supports DDR3L 1066MHz (-E26/-E25/-E15)
- DRAM device technologies: 1Gb, 2Gb and 4Gb DDR3L DRAM technologies are supported for x8 and x16 devices, unbuffered, non-ECC

EXPANSION SLOTS

- 1 PCIe x1 slot
- 1 Mini PCIe slot
 - Supports USB and PCIe signals
 - Supports mSATA
 - Supports full size Mini PCIe card
- 1 DFI Proprietary Extension Bus for PCIe/PCI expansion
- 1 DFI EXC interface for I/O expansion
 - 1 PCIe x1
 - 1 DDI
 - 1 High Definition Audio
 - 2 Serial ports
 - 1 PS/2 keyboard/mouse
 - 2 USB 2.0
 - 1 USB HSIC
 - 1 SMBus
 - 1 LPC

ONBOARD GRAPHICS FEATURES

- Intel® HD Graphics
- Display ports: 1 VGA, 1 LVDS
- VGA: 24-bit, resolution up to 2560x1600 @ 60Hz
- LVDS: NXP PTN3460, 24-bit, dual channel, resolution up to 1920x1200 @ 60Hz
- Supports hardware acceleration for DirectX 11, OGL 1.2, OGL 4.0, H.264, MPEG2, MVC, VC-1, WMV9 and VP8 (supported version dependent on OS)

ONBOARD LAN FEATURES

- 2 Intel® I210 PCI Express Gigabit Ethernet controllers
- Integrated 10/100/1000 transceiver
- Fully compliant with IEEE 802.3, IEEE 802.3u, IEEE 802.3ab

SERIAL ATA INTERFACE

- 2 SATA 2.0 ports with data transfer rate up to 3Gb/s
 - SATA port 0 provides adequate space for SATA DOM
 - One multiplexed with mSATA (Mini PCIe)*
- Integrated Advanced Host Controller Interface (AHCI) controller

REAR PANEL I/O PORTS

- 1 DB-9 RS232 serial port
- 1 DB-15 VGA port
- 2 RJ45 LAN ports
- 1 USB 2.0 port
- 1 USB 3.0 port

I/O CONNECTORS

- 1 connector for 2 external USB 2.0 ports
- 1 vertical USB 2.0/1.1 port
- 3 connectors for 3 external serial ports (2.0mm pitch)
 - 1 RS232/422/485 (RS232 and/or power)
 - 2 RS232
- 1 LVDS LCD panel connector
- 1 LCD/inverter power connector
- 1 8-bit Digital I/O connector
- 1 Digital I/O power connector
- 1 LAN LED connector
- 1 LPC connector
- 2 Serial ATA connectors
- 1 24-pin ATX power connector
- 1 front panel connector
- 1 chassis intrusion connector
- 2 fan connectors

TRUSTED PLATFORM MODULE (TPM)*

- Provides a Trusted PC for secure transactions
- Provides software license protection, enforcement and password protection

WATCHDOG TIMER

- Watchdog timeout programmable via software from 1 to 255 seconds

BIOS

- AMI BIOS
- 64Mbit SPI BIOS

ENERGY EFFICIENT DESIGN

- Supports ErP Lot6 power saving*
- Supports ACPI
- System Power Management
- Wake-On-Events include:
 - Wake-On-USB KB/Mouse*
 - Wake-On-LAN
 - RTC timer to power-on the system
- AC power failure recovery

DAMAGE FREE INTELLIGENCE

- Monitors CPU/system temperature and overheat alarm
- Monitors VCore/12V/5V/DDR voltages and failure alarm
- Monitors CPU/system fan speed and failure alarm
- Read back capability that displays temperature, voltage and fan speed

POWER CONSUMPTION

- TBD

OS SUPPORT

- Windows 7 Ultimate x86 & SP1 (32-bit)
- Windows 7 Ultimate x64 & SP1 (64-bit)
- Windows 8 Enterprise x86 (32-bit)
- Windows 8 Enterprise x64 (64-bit)
- Windows 8.1 Enterprise x86 (32-bit)
- Windows 8.1 Enterprise x64 (64-bit)

TEMPERATURE

- Operating: 0°C to 60°C
- Storage: -20°C to 85°C

HUMIDITY

- 5% to 95%

DIMENSIONS

- Mini-ITX form factor
- 170mm (6.7") x 170mm (6.7")

Ordering Information

Model Name				Processors
BT160	-	N	-	E45
				E45: Intel® Atom™ E3845, Quad Core, 2M Cache, 1.91 GHz, 10W E26: Intel® Atom™ E3826, Dual Core, 1M Cache, 1.46 GHz, 7W J00: Intel® Celeron® J1900, Quad Core, 2M Cache, up to 2.42 GHz, 10W N07: Intel® Celeron® N2807, Dual Core, 1M Cache, up to 2.16 GHz, 4.3W
				<i>The following specifications will be available upon request. Please contact your sales representative for more information.</i>
				E27: Intel® Atom™ E3827, Dual Core, 1M Cache, 1.75 GHz, 8W E25: Intel® Atom™ E3825, Dual Core, 1M Cache, 1.33 GHz, 6W E15: Intel® Atom™ E3815, Single Core, 0.5M Cache, 1.46 GHz, 5W N30: Intel® Celeron® N2930, Quad Core, 2M Cache, up to 2.16 GHz, 7.5W

Packing List

- 1 BT160 motherboard
- 1 Serial ATA data cable
- 1 DVD
- 1 QR (Quick Reference)
- 1 Heat sink

Optional Items

- USB port cable
- Serial ATA data cable