



## Main Features

- Quad core Intel® Celeron® processor J1900 2GHz
- 18.5" WXGA (1366 x 768) P-cap zero bezel touch display
- 2MP front webcam with autofocus
- 4GB of DDR3L SO-DIMM memory
- 320GB 5,400rpm 2.5" HDD
- Ultra slim 64.5mm
- VESA mounting (100 x 100mm)
- 24VDC 120W Power brick

## Product Overview

NEXCOM has released the Kiosk Panel PC KPPC 1812 to help build a smart future-proof kiosk that can evolve with changing needs of retail and hospitality industries. Based on Intel® Celeron® J1900 processor, the KPPC 1812 can power multimedia contents for advertising and enable multiple ways of user interaction for self-servicing. The KPPC 1812 is designed with expansion flexibility and ease of use and maintenance and can maximize kiosk uptime and lower total cost of ownership (TCO) for users.

## Specifications

### System Processor

- Motherboard: NP-BYT0-A/NC-DK0-A
- Processor: Intel® Celeron® J1900 Processor, 4C, 2.0GHz, 2MB Cache
- System Memory:
  - 1 x DDR3L 1333 SO-DIMM
  - Default: 1 x SO-DIMM DDR3L 1333 4GB
  - Optional: 1 x SO-DIMM DDR3L 1333 8GB
- Graphics: Integrated graphics controller, Intel's Gen 7 graphics and media encode/decode engine

### LCD Touch Screen

- LCD Size: 18.5" TFT WXGA (1366x768) 250cd/m<sup>2</sup> LCD panel
- Touch Screen: 18.5" Projected Capacitive Touch Panel

### Storage Device

- 1 x 2.5" SATA HDD 320GB 5,400rpm w/ HDD Door

### Expansion

- 1 x Full size Mini-Card slot (mini-PCIe/USB/3G SIM slot)
- 1 x Half size Mini-Card slot (mini-PCIe/USB)

### Rear I/O

- Serial (4):
  - 2 x RJ-50 Powered RS-232 (COM1, COM2, adjust RI/5V by BIOS setting)
  - 1 x RJ-50 Powered RS-232 (COM3, adjust RI/ 12V by BIOS setting)
  - 1 x RJ-50 Powered RS-232/422/485 (COM4, adjust RI/12V & RS232/422/485 by BIOS setting)

- USB (2/2): 2 x USB 2.0; 2 x USB 3.0
- Parallel: 1 x DB-25 Parallel Port
- LAN: 1 x RJ-45 (10/100/1000Mbps Ethernet)
- VGA: 1 x DB-15 VGA port for 2nd Display
- Cash Drawer Port: 1 x RJ-11, support Two Cash Drawers (24V, Max 1.1A)
- DC-in Jack: 1 x DC-24V Input
- DC-Out Jack: 1 x DC-12V Output for 2nd Display Power (12V, Max 3.0A)
- Line-Out/Mic: 1 x Line-out for External Audio Speaker & Mic-in

### Audio

- 1 x System Buzzer

### System Control

- 1 x Power ON/OFF Switch

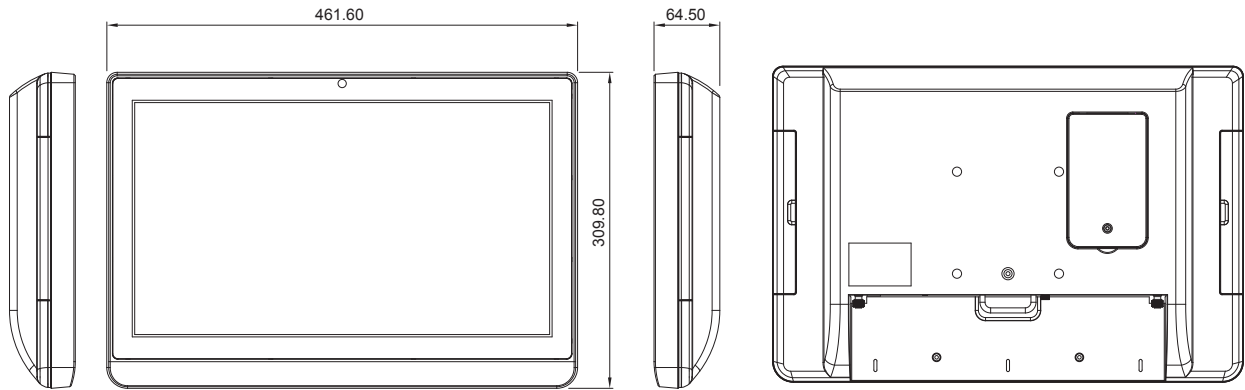
### Power

- Default: External AC DC 24V/5.0A 120W Power Brick
- Optional: Upgrade to DC-24V 180W Power Brick

### Kits/Peripherals

- Web Camera: Default: build-in 2M Auto Focus Web CAM, USB interface
- MSR: Optional: ISO 3 Tracks MSR (USB/RS232 combo interface or PS/2)
- MSR/ Fingerprint Combo: Optional: ISO 3 Tracks MSR (PS/2) & Fingerprint (USB) combo
- RFID/ NFC: Optional: RFID Mifare Read/ Write Module; NFC Contactless Reader Module
- Scanner: Optional: 2D Scanner
- Thermal Printer: Optional: 2"/3" Thermal Printer

## Dimension Drawing



### Environment

- Operating Temperature: 0°C to 40°C (32°F ~ 104°F)
- Storage Temperature: -20°C to 60°C (-4°F ~ 140°F)
- Operating Humidity: 20% to 80% RH non-condensing
- Storage Humidity: 20% ~ 85% RH non-condensing

### Dimension

- Display Head: 461.6mm (W) x 309.8mm (H) x 64.5mm (D)
- Package Size: 585mm (L) x 235mm (W) x 450mm (H) (No MSR)

### Weight

- Net Weight/Gross Weight: 9.0kg (19.8lbs)/10.5kg (23.2lbs)

### Operating System

- Windows 8
- WES 8
- POSReady 7
- Win 7 Pro
- WES 7
- Fedora 17
- TIZEN

### Certificate

- EMC & Safety
- FCC/CE/LVDS

## Ordering Information

### ♦ KPPC-1812-010 (P/N: A0YK0181200X0)

- CPU: Intel® Celeron® J1900 Processor, 4C, 2.0 GHz, 2MB Cache
- LCD/ Touch: 18.5" TFT WXGA (1366x768) 250 cd/m<sup>2</sup> LCD panel/ Projected Capacitive Zero Bezel Touch
- Memory: 4GB DDR3L SO-DIMM
- HDD: 320GB 2.5" SATA 5,400rpm
- Power: DC-24V/120W Power Brick
- Color: Black
- Web Camera: Build-in 2M Auto Focus Web Camera