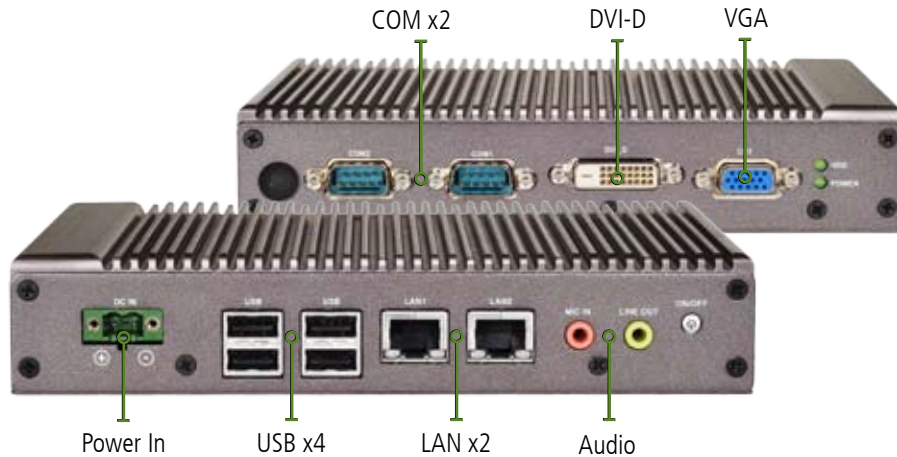


# LEC-7000

## Industrial Appliance with Intel® Atom™ N270



### Features

#### Intel® Atom™ N270

Single core Intel Atom N270 features 1.6GHz clock speed and a 512KB cache. It utilizes 2.5W of power.

#### Fanless

This IPC's lifespan has been extended by removing the most easily damaged component, the fan.

#### Dust proof design

Solid chassis design with a fanless interior allows for this product to be completely dustproof when installed correctly, insuring longevity of the product.

#### Screw-locked power plug

This power plug is made to screw directly into the appliance chassis, allowing secure power connection in even the harshest of settings.

#### Extreme operating temperature

This product is ruggedized to support a wider than usual range of temperatures. Outfitted with industrial components (HDD/SSD, CF, Memory) this appliance can thrive in harsh conditions.

#### LED indicators

LED indicators makes it easy to check working status.

#### Mini-PCI Expansion Slot

This product features a Mini-PCI slot to allow customers to customize this appliance to different applications.

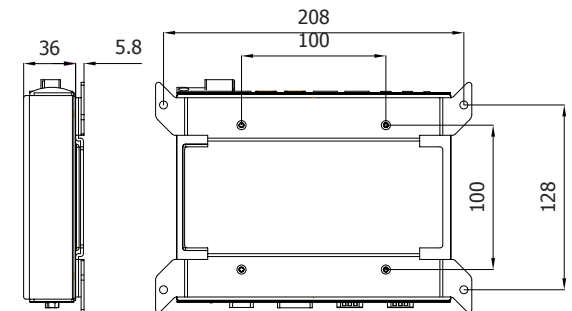
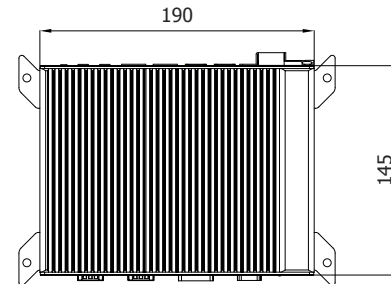
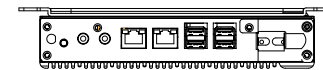
#### Cable-free Interior

The interior of this product contains no wires, making this industrial product as rugged as possible.

#### Multiple Display Ports

This platform comes with multiple video-out ports to allow easy integration with any signage set-up.

### Dimensions: 190x36x145mm (7.48"x1.42"x5.71")



## Specifications

<b>Dimensions (WxHxD)</b>		190x36x145mm (7.48"x1.42"x5.71")
<b>Processor</b>		Intel Atom N270 (1.6GHz)
<b>Chipset</b>		Intel 945GSE + ICH7M
<b>System Memory</b>	Technology	DDR2 512MB onboard DDR2 SODIMM x1
	Max. Capacity	Up to 2GB
<b>Storage</b>	IDE	CF socket Type I/II x1
	SATA	2.5" SSD/HDD drive bay x1
<b>Ethernet Controller</b>		Realtek RTL8111C x2
<b>Graphic Controller</b>		Intel Integrated Graphics Media Accelerator 950
<b>Audio Controller</b>		Realtek ACL888/886
<b>IO</b>	LAN	GbE RJ45 x2
	Display	DB15 x1 for VGA DVI-D x1
	Video Grabber	N/A
	Audio	Phone Jack x2 for Mic-in and Mic-in
	Serial I/O	DB9 x2 supports RS232/422/485 Internal Pin-header for RS232 x2
	GPS	N/A
	Digital I/O	N/A
	USB 2.0	Type A x4
	Power Input	2 pin terminal block
	Expansion	Mini-PCI x1
	Others	External: Power-On Button, SMA Antenna Hole Internal: PS/2 Keyboard & Mouse, +5Vdc output
<b>Power Input</b>		+12Vdc +/-5%, ATX Mode
<b>AC Adapter</b>		60W +12V @ 5A
<b>Hardware Monitor</b>		Winbond W83627UHG integrated Watchdog Time 1~255 level
<b>OS Support</b>		Linux, XPE/WES2009, XP Pro FES, WS7E, WS7P, Win 7 Pro FES
<b>Certifications</b>		CE, FCC Class A
<b>Compliance</b>		N/A
<b>Operating Temperature Range</b>	With Industrial Components	-10~-55°C/14~131°F
	With Commercial Components	-5~45°C / 23~113°F

## Ordering Information

LEC-7000	Intel Atom N270 1.6Ghz CPU, 512MB DDR2 Memory On-board. w/ 2 COMs, DVI-D / VGA Display, Dual GbE, Audio, +12V DC (ATX)
----------	--

## Standard Accessories

<b>093W000001002</b>	Rubber Foot Pads
<b>080W1N2201001</b>	SATA SSD / HDD cable w/ power
<b>080W1N2201001</b>	SATA HDD Cable
<b>0P0W060120001</b>	AC Adapter 60W 12V/5A, DC jack w/ Lock

## Optional Power Cords

<b>080W240318306</b>	US Power Cord
<b>080W240318305</b>	Schuko (EU) Power Cord
<b>080W240318301</b>	UK Power Cord
<b>080W240318307</b>	China Power Cord
<b>080W240318309</b>	Japan Power Cord

## Optional Mounting Brackets

<b>PE9ESA8300100</b>	VESA Mount
<b>PE9ESA8310100</b>	RACK Mount
<b>PE9ESA8330100</b>	Wall Mount - 1

## Optional Accessories

<b>0TAWQ802XKZ01</b>	<b>Wi-Fi Module</b>	802.11 b/g/n Mini-PCIe card
----------------------	---------------------	-----------------------------