

# FPC-7200

Robust Box PC with Intel® Atom™ D2550 Platform



## Features

- **Fanless Design**
- Wide Range DC Power Input (9 ~ 32V)
- Serial Port with 5V/12V Power Output
- Support RS-485 Auto-flow Function
- Rich Onboard I/O and Expansion Slots (1 x PCIe x1, 1 x Mini-card, 1 x SIM Socket)
- Support Various Video Interfaces (DVI-I, DVI-D)
- Support Outside Accessible CFAST Slot
- Support Optional WiFi or HSPA+ Wireless Connection
- Support DDR3 Long-DIMM up to 4GB
- Rugged Design for Shock/Vibration Protection
- Easy Installation/Maintenance
- Intel® SSD Compatible

## System

<b>CPU</b>	Soldered Onboard Intel® Atom™ D2550 1.86GHz processor
<b>Memory</b>	2 x 240-pin Dual Channels DDR3 Long-DIMM Sockets up to 4GB at 800/1066MHz
<b>Chipset</b>	Intel® NM10 PCH
<b>Graphics</b>	Integrated Intel® GMA3150
<b>ATA</b>	1 x Serial ATA port with 300MB/s HDD transfer rate
<b>LAN Chipset</b>	2 x Realtek 8111 Gigabit Ethernet controllers
<b>Watchdog Timer</b>	1~255 levels reset

## I/O

	4 x DB-9 male connector
<b>Serial Port</b>	Support 4 x RS-232 ports (COM1~2 are RS-232, optional isolated) (COM3~4 are RS-232/485 selectable)
<b>USB Port</b>	10 x USB 2.0 ports
<b>LAN</b>	2 x RJ-45 ports for Gigabit Ethernet
<b>Video Port</b>	1 x DVI-I female connector for Digital & Analog Video output 1 x DVI-D female connector for Digital Video output
<b>Audio</b>	Mic-in/Line-out (6W pre-amplified)
<b>KB/MS</b>	2 x 6-pin Mini-DIN for Keyboard and Mouse
<b>Expansion Bus</b>	1 x PCIe x1 slot w/ riser card 1 x Mini-card slot interconnected with SIM card socket for optional WiFi or HSPA+ module 1 x SIM socket (outside accessible)

## Environmental

<b>Operating Temp.</b>	-20 ~ 55°C (-4 ~ 131°F), ambient w/ air flow
<b>Storage Temp.</b>	-40 ~ 85°C (-40 ~ 185°F)
<b>Relative Humidity</b>	10 ~ 95% @ 40°C (non-condensing)
<b>Vibration</b>	3 Grms/5~500Hz/random operation Operating 20G (11ms), Non-operating 40G with HDD Operating 40G (11ms), Non-operating 60G with CFAST/SSD Crash 80G (11ms)
<b>Shock &amp; Crash</b>	

## Qualification

<b>Certification</b>	CE, FCC
----------------------	---------

## Power Requirement

<b>Power Input</b>	9 ~ 32V input (w/ 4-pin DC input terminal block combine remote power on/off switch)
<b>Power Consumption</b>	35W (Max.) w/o I/O card

## Storage

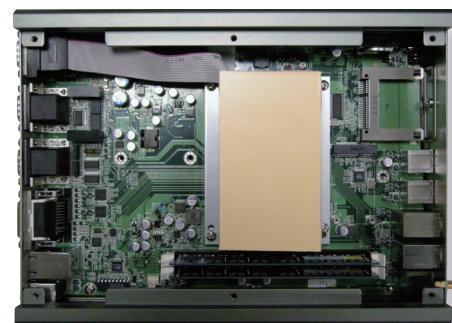
<b>Type</b>	1 x 2.5" drive bay for HDD/SSD 1 x CFAST Socket which can be outside accessible
-------------	--

## Mechanical

<b>Construction</b>	Aluminum alloy
<b>Mounting</b>	Support wall-mounting
<b>Weight</b>	4.2 kg (9.24 lb)
<b>Dimensions (W x D x H)</b>	195 x 268 x 80 mm (7.68" x 10.55" x 3.14")

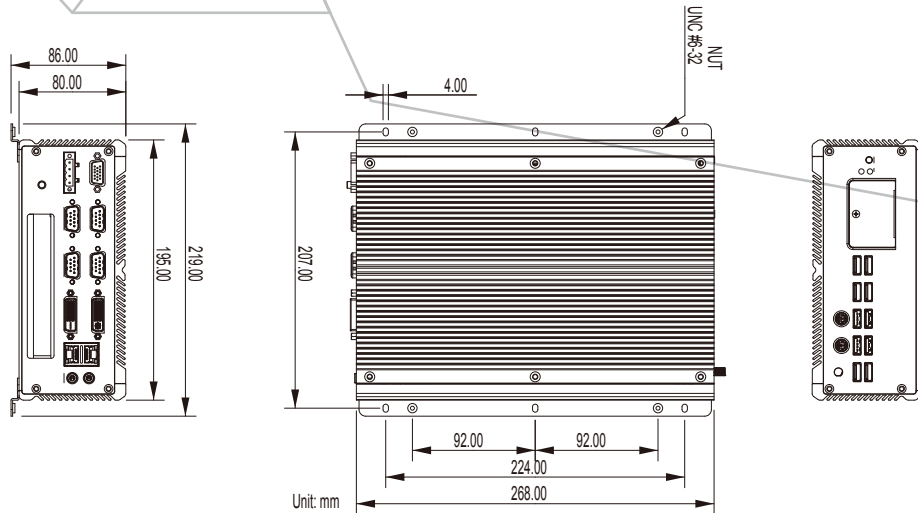
## Ordering Information

<b>FPC-7200-Lite</b>	Barebone system w/ D2550 CPU, w/o storage device and memory, w/o isolated RS-232
----------------------	--



» Fanless Design

## Dimensions



## Optional Accessories

**PAC-B065W-1**  
65W AC/DC adapter kit



**Power Input** 100 ~ 240 VAC

**Power Output** 19VDC, 3.4A, 65W

**WMK-7000**  
Wall-mount kit for FPC-7XXX Series



**Material** SPCC+Ni

**Dimensions (W x D x H)** 264 x 28.5 x 6 mm  
(10.39" x 1.12" x 0.23")

## Optional Configuration (CTOS\* Kit)

**SSD-25040**  
Intel® 2.5" 40GB SATAII SSD kit



**Brand/Type** Intel / 2.5 inch

**Interface** SATAII

**Capacity** 40GB

**Dimensions (W x D x H)** 100.45 x 69.85 x 9.5 mm  
(3.95" x 2.75" x 0.37")

**HSUPA-3500**



**HSPA+ 3.75G module kit w/ 2dBi HSPA+ antenna & 25cm internal wiring**

**WiFi-3500**



**WiFi-3500**

**ML-3C-2G**



**Single Side DDR3-2GB Long DIMM Kit**

\*CTOS means Configure to Order Service.

### » Front-access CFast & SIM for Easy Maintenance



Unscrew and pull down the door



Insert CFast card



Insert SIM card