

ROKA Camera Series

The vision package is included Lens and Lighting



Main Features

- GigE interface.
- Binning and ROI
- Up to 100 images per second.
- Global shutter.
- Trigger input and I/Os.
- Digital I/O strobe
- Power over Ethernet
- Direct power option
- Only 29 x 29 x 57 mm
- Compatible to C and CS mount lenses.

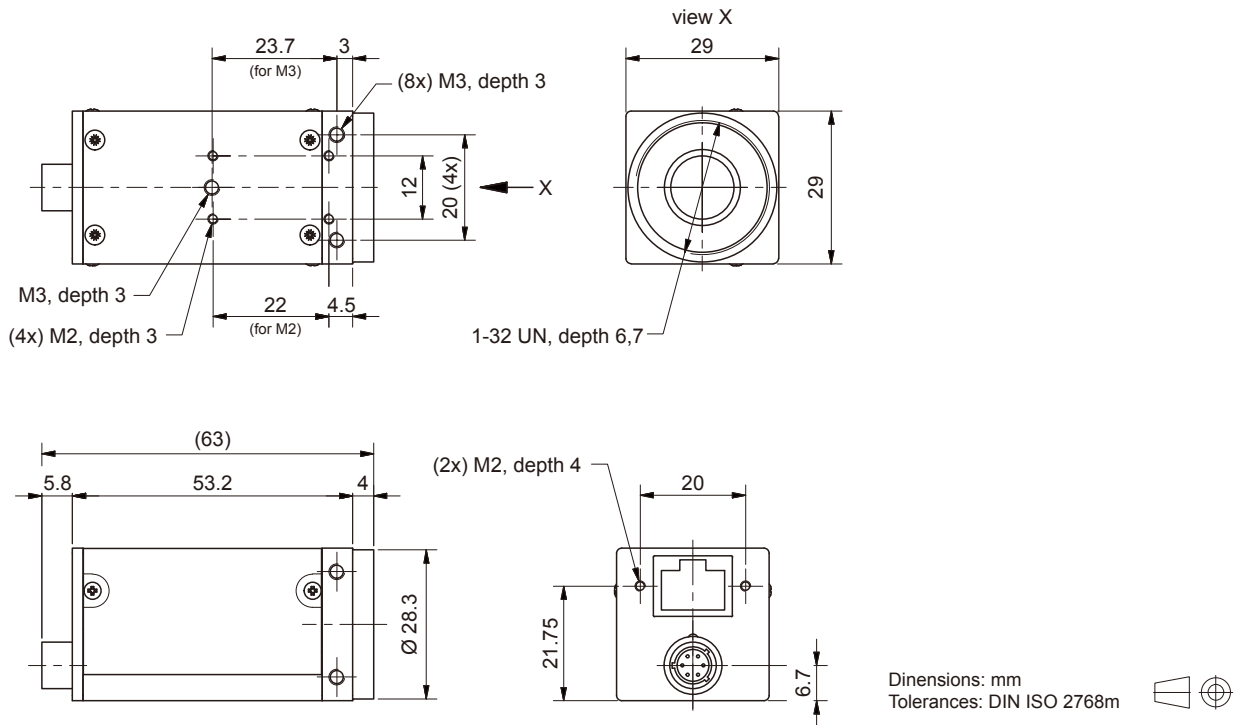
Product Overview

The NEXCOM ROKA series Gigabit Ethernet cameras are the perfect solution for many industrial automation, quality assurance, security, and medical applications. It is available with several resolutions and speeds so that you can find the right ROKA camera model for your application. These cameras feature a variety of input, output, strobe, and trigger options via an external Hirose port. The ROKA is a low cost, but highly versatile imaging solution.

Specifications

Model Name	ROKA 30	ROKA 130	ROKA 200	ROKA 500
P/N	10J90003000X0	10J90013000X0	TBD	10J90050000X0
Interface	GigE	GigE	GigE	GigE
Mono/ Color	Mono	Mono	Mono	Mono
Resolution	752 x 480	1280 x 960	2048 x 1088	2592 x 1944
Pixel Size	6 μm	3.75 μm	5.5μm	2.2 μm
Sensor Size	1/3"	1/3"	2/3"	1/2.5"
Sensor Type	CMOS Sensor	CMOS Sensor	CMOS Sensor	CMOS Sensor
Frame Rate	100 fps	60 fps	50 fps	15 fps
Pixel Bit Depth	8/12 bit	8/12 bit	8/12 bit	8/12 bit
Shutter	Global shutter	Global shutter	Global shutter	Rolling
Lens mount	C/ CS mount	C/ CS mount	C mount	C/ CS mount
Digital Input	Input x 1 (Trigger), Max: 24V	Input x 1 (Trigger), Max: 24V	-	Input x 1 (Trigger), Max: 24V
General purpose output	output x 1 (strobe), Max: 24V	output x 1 (strobe), Max: 24V	-	output x 1 (strobe), Max: 24V
Supply voltage	11 VDC to 13 VDC or PoE	11 VDC to 13 VDC or PoE	-	11 VDC to 13 VDC or PoE
Current consumption	approx 400 mA at 12 VDC	approx 500 mA at 12 VDC	-	approx 400 mA at 12 VDC
Operating Temperature	-5 °C to 45 °C	-5 °C to 45 °C	-	-5 °C to 45 °C
Dimensions (H x W x L)	29 x 29 x 57 mm	29 x 29 x 57 mm	-	29 x 29 x 57 mm
Weight	65 g	65 g	-	65 g
Certifications	CE/ FCC classA	CE/ FCC classA	CE/ FCC classA	CE/ FCC classA
Support OS	Windows XP, Windows 7 (32 & 64-bit), Windows 8 (32 & 64-bit)	Windows XP, Windows 7 (32 & 64-bit), Windows 8 (32 & 64-bit)	-	Windows XP, Windows 7 (32 & 64-bit), Windows 8 (32 & 64-bit)
SDK compatible	Windows .NET/ C/ C++/ ActiveX	Windows .NET/ C/ C++/ ActiveX	-	Windows .NET/ C/ C++/ ActiveX
Driver compatible	Windows XP/ 7/ 8	Windows XP/ 7/ 8	-	Windows XP/ 7/ 8

Dimension Drawing



Model Name	Ethernet Cable	Camera Power Adapter	Power-I/O Cable
P/N	603LAN0040X00	7400012002X00 (US) 7400012003X00 (EU)	603POW0109X00
Length	5M	1.8M	0.2M
Connector Side	(Camera)RJ-45, horizontal screw-lock	(AC) US: 2 pole US plug Euro:2 pole EURO plug	(Camera) Hirose 6 pin
Other Side	RJ-45, with click-lock	Standard type P11: 2.1 x 5.5 x 9.5mm	DC Jack 5.5 x 2.1 and BNC Female

Ordering Information

- ROKA 30 (P/N: 10J90003000X0)
- ROKA 130 (P/N: 10J90013000X0)
- ROKA 200 (P/N: TBD)
- ROKA 500 (P/N: 10J90050000X0)

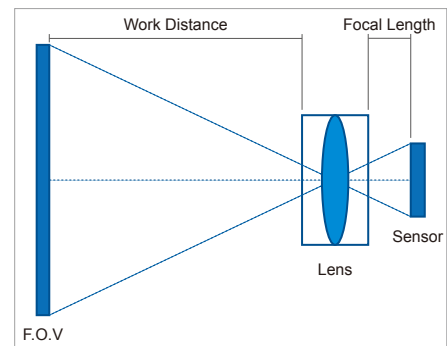
ROKA Accessories - Lens Series



Specifications

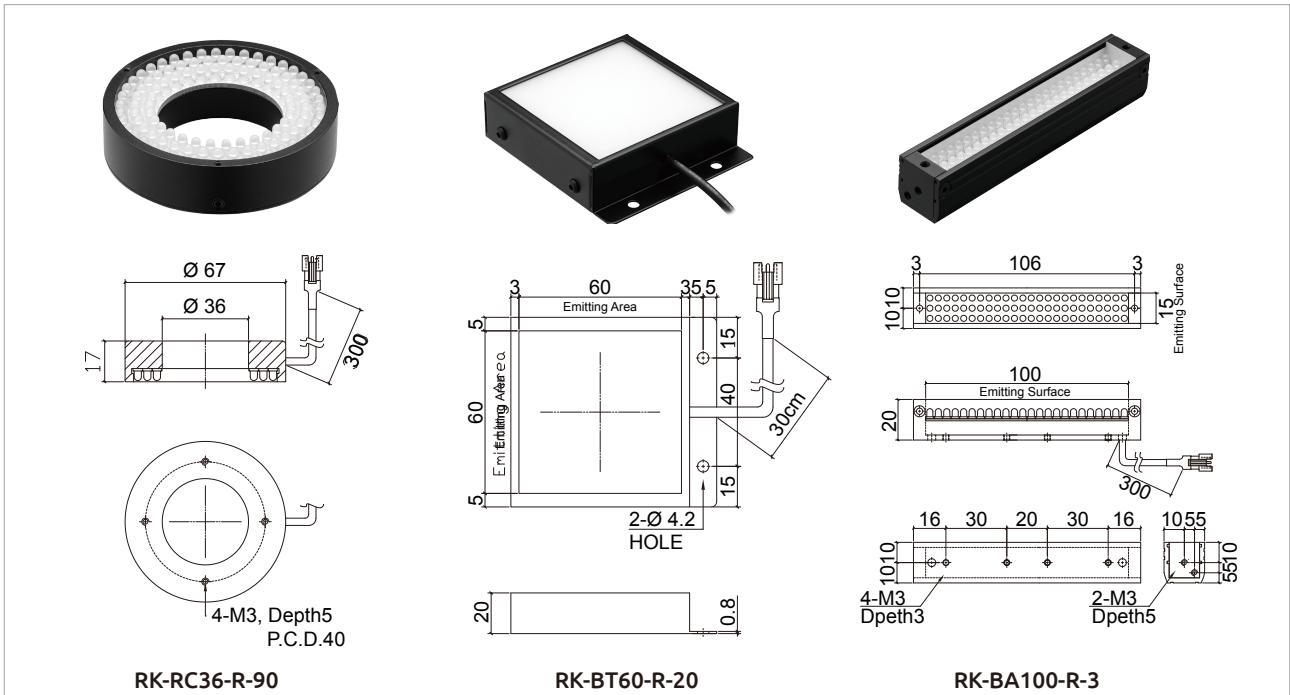
Model Name	16mm FA CCTV LENS RK-C1614	25mm FA CCTV LENS RK-C2514	35mm FA CCTV LENS RK-C3518
P/N	7D30700001X00	7D30700002X00	7D30700003X00
Focal Length	16mm	25mm	35mm
F. No	F1.4	F1.4	F1.8
M.O.D	400mm	500mm	300mm
sensor size(MAX)	2/3"	2/3"	2/3"
Weight(Approx)	34g	36g	47g
Dimension	Ø 29.5 X L= 24mm	Ø 29.5 X L= 24.5mm	Ø 29.5 X L= 33.5mm

EX: If object size is 50 x 50 mm, Camera is 1/3" sensor size, following the table can get 16mm lens with 1mm Extension Tube the FOV is 58.8 x 78.4mm then WD is 257.1mm. This case can choose 16mm lens with 1mm Extension Tube.

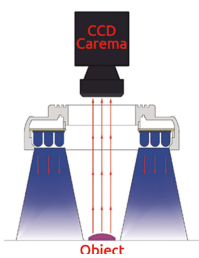
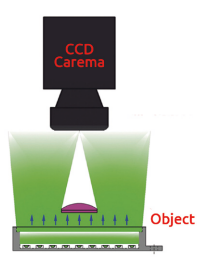
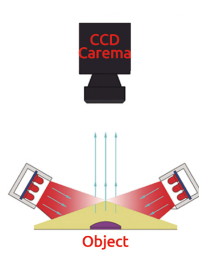


Extension Tube (mm)	Model Focal Length	RK-C1614 16mm		RK-C2514 25mm		RK-C3518 35mm	
		Focus	400 ~ ∞	500 ~ ∞	300 ~ ∞		
0	WD		400	500	300		
	1/3"		90x120	70.6x94.1	31x41.4		
	1/2"		120x160	94.1x125.5	41.4x55.2		
	Mag.		0.040x	0.051x	0.116x		
1	WD	152.0	257.1	280.8	635.9	241.0	1208.5
	1/3"	35.6x47.4	58.8x78.4	39.7x52.9	90.6x120.8	24.9x33.2	125.1x166.8
	1/2"	47.4x63.2	78.4x104.6	52.9x70.5	120.8x161.1	33.2x44.2	166.8x222.4
	Mag.	0.101x	0.061x	0.091x	0.040x	0.145x	0.029x
2	WD	91.2	123.6	196.3	319.1	201.2	604.7
	1/3"	22.2x29.6	29.4x39.2	27.6x36.8	45.3x60.4	20.7x27.7	62.6x83.4
	1/2"	29.6x39.4	39.2x52.3	36.8x49.1	60.4x80.5	27.7x36.9	83.4x111.2
	Mag.	0.162x	0.122x	0.130x	0.079x	0.174x	0.058x
5	WD			104.2	129.0	134.7	242.5
	1/3"			14.4x19.2	18.1x24.2	13.9x18.5	25x33.4
	1/2"			19.2x25.6	24.2x32.2	18.5x24.6	33.4x44.5
	Mag.			0.250x	0.199x	0.260x	0.144x
10	WD			59.5	65.7	87.0	121.7
	1/3"			8x10.7	9.1x12.1	8.9x11.9	12.5x16.7
	1/2"			10.7x14.3	12.1x16.1	11.9x15.9	16.7x22.2
	Mag.			0.448x	0.397x	0.404x	0.288x
15	WD					64.4	81.5
	1/3"					6.6x8.8	8.3x11.1
	1/2"					8.8x11.7	11.1x14.8
	Mag.					0.548x	0.432x
20	WD					51.2	61.3
	1/3"					5.2x6.9	6.3x8.3
	1/2"					6.9x9.3	8.3x11.1
	Mag.					0.692x	0.576x
25	WD					42.6	49.3
	1/3"					4.3x5.7	5x6.7
	1/2"					5.7x7.7	6.7x8.9
	Mag.					0.835x	0.719x

ROKA Accessories - Lighting (LED) Series



Specifications

Model Name	Ring Light RK-RC36-R-90	Thin Back Light RK-BT60-R-20	Bar Array Light RK-BA100-R-3
P/N	7900000111X00	7900000113X00	7900000114X00
Dimensions	36mm(Inner diameter)	70mm(W)	20mm(W)
	67mm(Outside diameter)	76mm(H)	112mm(H)
	17mm(D)	20mm(D)	20mm(D)
Color	Red	Red	Red
LED control	Current	Current	Current
Configuration			

Model Name	LED Controller Power Cord
P/N	60233POW17X00 (US) 60233POW18X00 (EU)
Length	1.8M
Connector Side	(AC) US:UL-NEMA 5-15 3 pin Euro: CEE 7-VII/IEC 60884-1
Other Side	IEC320-1 C13

Model Name	LED Controller
PN	7900000110X00
Input	AC 100~240V, 50/60 Hz, 2A (Max)
Ouput	800ma
Dimension	70 X 59 X 145 mm