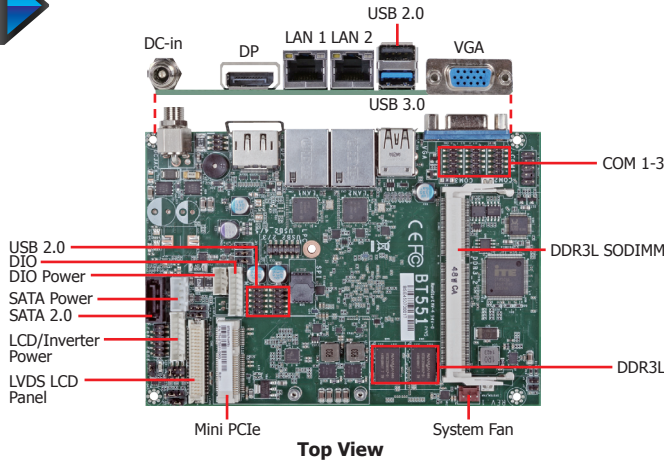
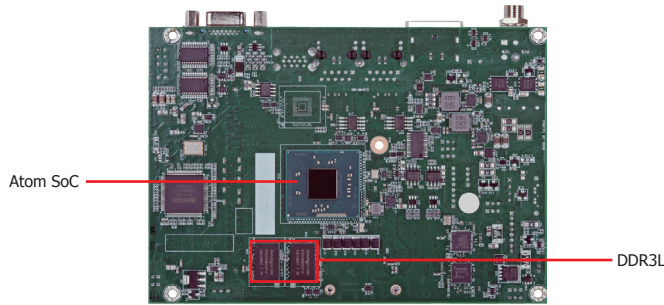




BT551/BT553



Top View



Bottom View

* The photos above refer to BT551.

Model Name	Power
BT551	12V DC-in
BT553	15~36V DC-in

Features

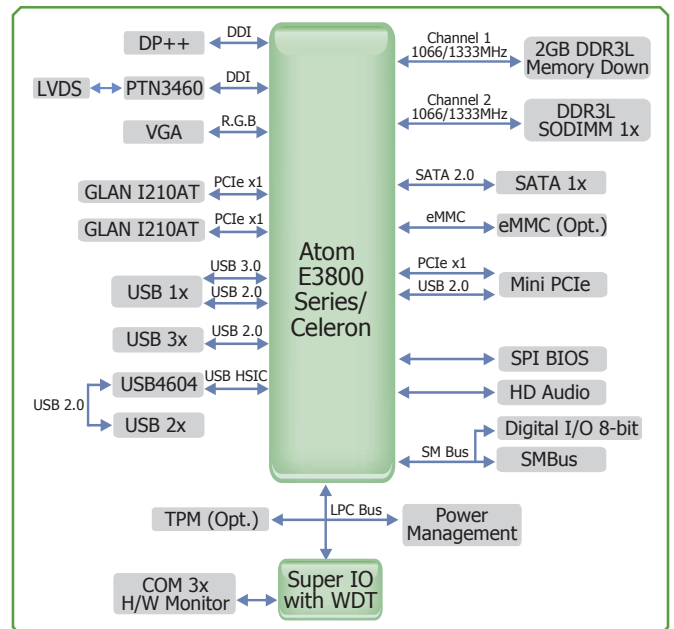
MEMORY	1 DDR3L SODIMM up to 4GB 2GB DDR3L memory down
EXPANSION	1 Mini PCIe
DISPLAY OUTPUTS	1 VGA, 1 LVDS, 1 DP
LAN	2 LAN
COM	3 COM
USB	6 USB: 1 USB 3.0, 5 USB 2.0
STORAGE	1 SATA 2.0 eMMC (optional)
DIO	8-bit DIO
DIMENSIONS	146mm x 102mm (5.75" x 4.02")



Mechanical Drawing



Block Diagram



BT551/BT553

Specifications * Optional and is not supported in standard model. Please contact your sales representative for more information.

PROCESSOR

- Intel® Atom™/Intel® Celeron® processors
- BGA 1170 packaging technology
- 22nm process technology

Please refer to the Ordering Information below

SYSTEM MEMORY

- One 204-pin DDR3L SODIMM socket supports up to 4GB system memory
- 2GB DDR3L memory down
- Supports DDR3L 1066/1333MHz
- Supports dual channel memory interface
- DRAM device technologies: 1Gb, 2Gb and 4Gb DDR3L DRAM technologies are supported for x8 and x16 devices, unbuffered, non-ECC

EXPANSION SLOTS

- 1 Mini PCIe slot
 - Supports USB and PCIe signals
 - Supports full size Mini PCIe card

ONBOARD GRAPHICS FEATURES

- Intel® HD Graphics
- Display ports: 1 VGA, 1 LVDS, 1 DP
- VGA: 24-bit, resolution up to 2560x1600 @ 60Hz
- LVDS: NXP PTN3460, 24-bit, dual channel, resolution up to 1920x1200 @ 60Hz
- DP: supports DP++, resolution up to 2560x1600 @ 60Hz
- Supports hardware acceleration for DirectX 11, OCL 1.2, OGL 4.0, H.264, MPEG2, MVC, VC-1, WMV9 and VP8 (supported version dependent on OS)

ONBOARD AUDIO FEATURES

- Realtek ALC888 2.1-channel High Definition Audio

ONBOARD LAN FEATURES

- 2 Intel® I210 PCI Express Gigabit Ethernet controllers
- Integrated 10/100/1000 transceiver
- Fully compliant with IEEE 802.3, IEEE 802.3u, IEEE 802.3ab

SERIAL ATA INTERFACE

- 1 SATA 2.0 port with data transfer rate up to 3Gb/s
- Integrated Advanced Host Controller Interface (AHCI) controller

STORAGE

- Supports 8GB, 16GB and 32GB eMMC onboard*

TRUSTED PLATFORM MODULE (TPM)*

- Provides a Trusted PC for secure transactions
- Provides software license protection, enforcement and password protection

WATCHDOG TIMER

- Watchdog timeout programmable via software from 1 to 255 seconds

REAR PANEL I/O PORTS

- 1 12V (BT551) or 15~36V (BT553) DC-in jack or 4-pin power connector*
- 1 DP port
- 1 VGA port
- 2 RJ45 LAN ports
- 1 USB 3.0 port
- 1 USB 2.0 port

I/O CONNECTORS

- 2 connectors for 4 external USB 2.0 ports
- 3 connectors for 3 external serial ports (2.0mm pitch)
 - 1 RS485
 - 2 RS232
- 1 LVDS LCD panel connector
- 1 LCD/inverter power connector
- 1 8-bit DIO connector
- 1 DIO power connector
- 1 front audio connector for line-out and mic-in jacks
- 1 LPC connector
- 1 SMBus connector
- 1 Serial ATA connector
- 1 Serial ATA power connector
- 1 front panel connector
- 1 chassis intrusion connector
- 1 fan connector

BIOS

- Insyde BIOS
- 64Mbit SPI BIOS

ENERGY EFFICIENT DESIGN

- Supports ACPI
- System Power Management
- Wake-On-Events include:
 - Wake-On-USB KB/Mouse*
 - Wake-On-LAN
 - RTC timer to power-on the system
- AC power failure recovery

DAMAGE FREE INTELLIGENCE

- Monitors CPU/system temperature and overheat alarm
- Monitors VCORE/12V/5V/DDR voltages and failure alarm
- Monitors system fan speed and failure alarm
- Read back capability that displays temperature, voltage and fan speed

POWER CONSUMPTION

- TBD

OS SUPPORT

- TBD

TEMPERATURE

- Operating (TBD)
 - : 0°C to 60°C - Atom, Celeron (Fanless)
 - : -20°C to 70°C - Celeron (Fanless)
 - : -40°C to 85°C - Atom (Fanless)
- Storage: -40°C to 85°C

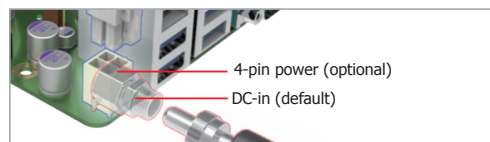
HUMIDITY

- 10% to 90%

DIMENSIONS

- 3.5" board
- 146mm (5.75") x 102mm (4.02")

Power Connector



Ordering Information

	Power		Temperature	Memory Down	Memory	eMMC	Processors
BT55	1	- N B	- 2	S	0	E45	
	1: 12V DC-in 3: 15~36V DC-in		B: 0°C to 60°C	2: 2GB	S: Socket	0: None 8: 8GB 1: 16GB	E45: Intel® Atom™ E3845, Quad Core, 2M Cache, 1.91 GHz, 10W E26: Intel® Atom™ E3826, Dual Core, 1M Cache, 1.46 GHz, 7W J00: Intel® Celeron® J1900, Quad Core, 2M Cache, up to 2.42 GHz, 10W N07: Intel® Celeron® N2807, Dual Core, 1M Cache, up to 2.16 GHz, 4.3W
<i>The following specifications will be available upon request. Please contact your sales representative for more information.</i>							
			E: -20°C to 70°C T: -40°C to 85°C			3: 32GB	E27: Intel® Atom™ E3827, Dual Core, 1M Cache, 1.75 GHz, 8W

Packing List

- 1 BT551/BT553 board
- 1 Serial ATA data with power cable
- 1 DVD
- 1 QR (Quick Reference)
- 1 Heat spreader

Optional Items

- USB port cable
- COM port cable
- Power adapter (100W, 12V) : 671-110001-100G
- Power adapter (120W, 19V) : 671-112004-100G
- 1 Heat sink