

## ELJ Consolets & Accessories

### Application -

Designed to house electrical and electronic controls, instruments, and components. Provides protection from dust, dirt, oil and water. Consolets can be mounted on either of two sides to give a control surface inclined 30° or 60°. Can be mounted on desks, machines, or pedestals.

### Construction -

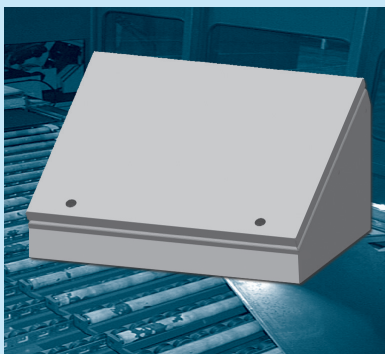
- 0.063" carbon steel.
- Seams continuously welded and ground smooth.
- Flange trough collar around all sides of door opening.
- Removable hinges.
- Oil-resistant gasket.
- Standoffs provided for mounting optional sub-panels.
- Cable door stops included on SCE-12C\*\*, SCE-16C\*\* & SCE-20C\*\*
- Black mini quarter turn latches as required.
- Latches are opened or closed with a screwdriver.
- Ground studs on door and body.
- Mounting holes in back.

### Finish -

ANSI -61 gray powder coated inside and out. Optional sub-panels are powder coated white.

### IS2 - Industry Standards -

NEMA Type 4, 12 & Type 13  
UL Listed Type 4 & 12  
CA Type 4 & 12  
IEC 60529 IP66



## ELJ CONSOLETS

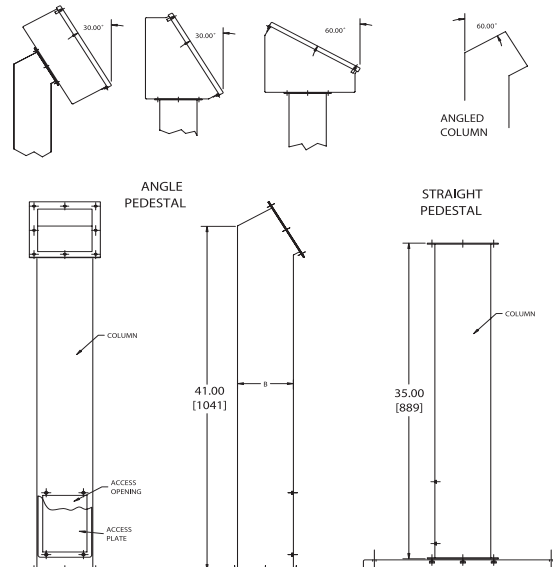
ENCLOSURE PRODUCT CODE A1						SUB-PANEL (P3)			
Catalog No.	Height (A)	Width (B)	Depth (C)	Depth (D)	List Price	Catalog No.	Panel Height (E)	Panel Width (F)	List Price
SCE-8C8ELJ	8.00	8.00	7.09	7.44	102.84	SCE-8P8C	6.00	6.75	5.27
SCE-8C12ELJ	8.00	12.00	7.09	7.44	112.87	SCE-8P12C	6.00	10.75	8.39
SCE-8C16ELJ	8.00	16.00	7.09	7.44	125.41	SCE-8P16C	6.00	14.75	11.50
SCE-8C20ELJ	8.00	20.00	7.09	7.44	135.44	SCE-8P20C	6.00	18.75	14.63
SCE-12C12ELJ	12.00	12.00	9.09	10.91	132.93	SCE-12P12C	9.50	10.75	13.28
SCE-12C16ELJ	12.00	16.00	9.09	10.91	147.97	SCE-12P16C	9.50	14.75	18.22
SCE-12C20ELJ	12.00	20.00	9.09	10.91	163.03	SCE-12P20C	9.50	18.75	23.16
SCE-12C24ELJ	12.00	24.00	9.09	10.91	175.57	SCE-12P24C	9.50	22.75	28.09
SCE-16C16ELJ	16.00	16.00	11.09	14.38	173.05	SCE-16P14	14.75	12.88	19.95
SCE-16C20ELJ	16.00	20.00	11.09	14.38	190.63	SCE-16P20C	12.88	18.75	31.40
SCE-16C24ELJ	16.00	24.00	11.09	14.38	208.17	SCE-16P24C	12.88	22.75	38.10
SCE-16C30ELJ	16.00	30.00	11.09	14.38	238.27	SCE-16P30C	12.88	28.75	44.80
SCE-20C20ELJ	20.00	20.00	13.09	17.84	218.21	SCE-20P20C	16.38	18.75	39.00
SCE-20C24ELJ	20.00	24.00	13.09	17.84	243.28	SCE-20P24C	16.38	22.75	42.30
SCE-20C30ELJ	20.00	30.00	13.09	17.84	278.41	SCE-20P30C	16.38	28.75	47.32

## CABLE DOOR STOP

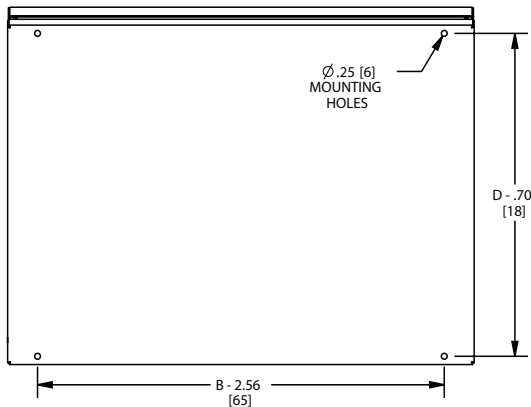
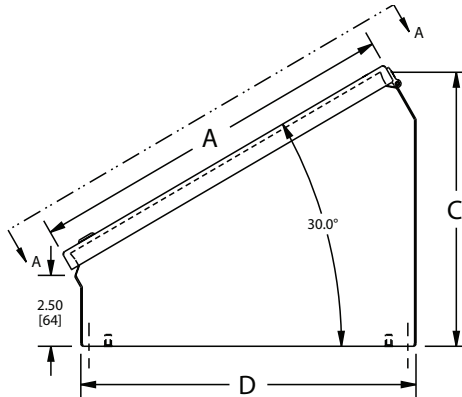
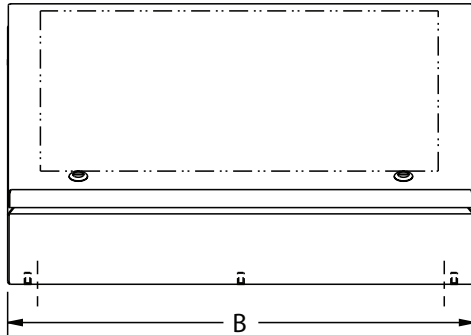
Catalog No.	Description	For use on	Product Code	List Price
SCE-CBL15	15 Inch 135° Door Stop	SCE-12C** & SCE-16C*	P2	13.75
SCE-CBL20	20 Inch 135° Door Stop	SCE-20C**	P2	14.25

## ACCESSORY COLUMNS AND BASES

Catalog No.	Description	Size	Product Code	List Price
SCE-18SBASE	Pedestal Base	18.00 x 18.00 x 1.00	P2	111.76
SCE-24SBASE	Pedestal Base	24.00 x 24.00 x 1.00	P2	253.32
SCE-44CCOL	Straight Column	4.00 x 4.00	P2	183.79
SCE-44PBCOL	Angled Column	4.00 x 4.00	P2	218.56
SCE-66CCOL	Straight Column	6.00 x 6.00	P2	275.68
SCE-66PBCOL	Angled Column	6.00 x 6.00	P2	327.83



# ELJ CONSOLES TECHNICAL DATA

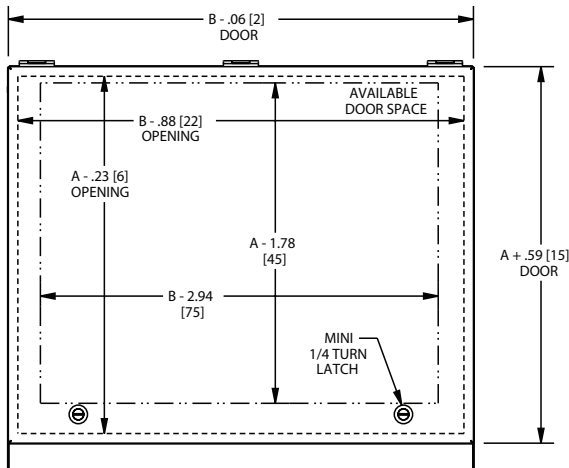


**NOTES:**  
Provisions for cable stops on door and body when "A"  $\geq$  12.00 [305]

**LATCH NOTES:**  
One latch centered on door horizontally if "B" is  $\leq$  14.00 [356]

Two latches located 3.00 [76] from right & left side of door if "B" is  $>$  14.00 [356]

**SUB-PANEL NOTES:**  
Provisions for sub-panel in bottom.



VIEW A-A

## Series 9 Consoles

### Application -

Designed for electronic controls and instruments. Equipment can be mounted on the sloping control panel door. Interior components mount to stationary panels. Provides protection from dirt, oil, dust and water. For installation information, consult our Installation Manual at [www.saginawcontrol.com](http://www.saginawcontrol.com).

### Construction -

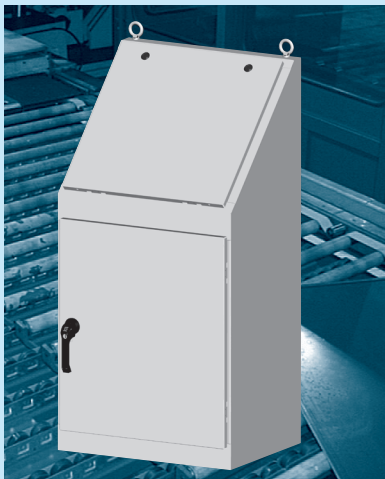
- 0.075" carbon steel.
- Sloping control panel door attached with concealed hinge on bottom edge.
- Door opens to 90°.
- Black zinc die cast keylocking/padlocking handle.
- 3-point latching mechanism.
- Seams continuously welded and ground smooth.
- Oil-resistant gasket on door.
- Interior print pocket.
- Optional back and side panels are mounted on collar studs.
- Removable eyebolts.
- Ground stud on door.

### Finish -

ANSI-61 gray powder coated inside and out.

### IS1 - Industry Standards -

NEMA Type 12 & Type 13  
UL Listed Type 12  
CSA Type 12  
IEC 60529 IP 55



## SERIES 9 CONSOLES

ENCLOSURE PRODUCT CODE C1						SUB-PANEL (P3)				
Catalog No.	Height (A)	Width (B)	Depth (C)	Industry Standard	List Price	Qty	Catalog No.	Panel Height (D)	Panel Width (E)	List Price
SCE-924B	48.00	24.00	18.00	IS1	1,210.24	3	SCE-30P20	27.00	17.00	55.70
SCE-936B	48.00	36.00	18.00	IS1	1,486.22	2	SCE-30P20	27.00	17.00	55.70
						1	SCE-30P30 &	27.00	27.00	83.55

Phone (989) 799-6871  
Fax (989) 799-4524

