

DMS-ST07

eHome Tablet PC



Features

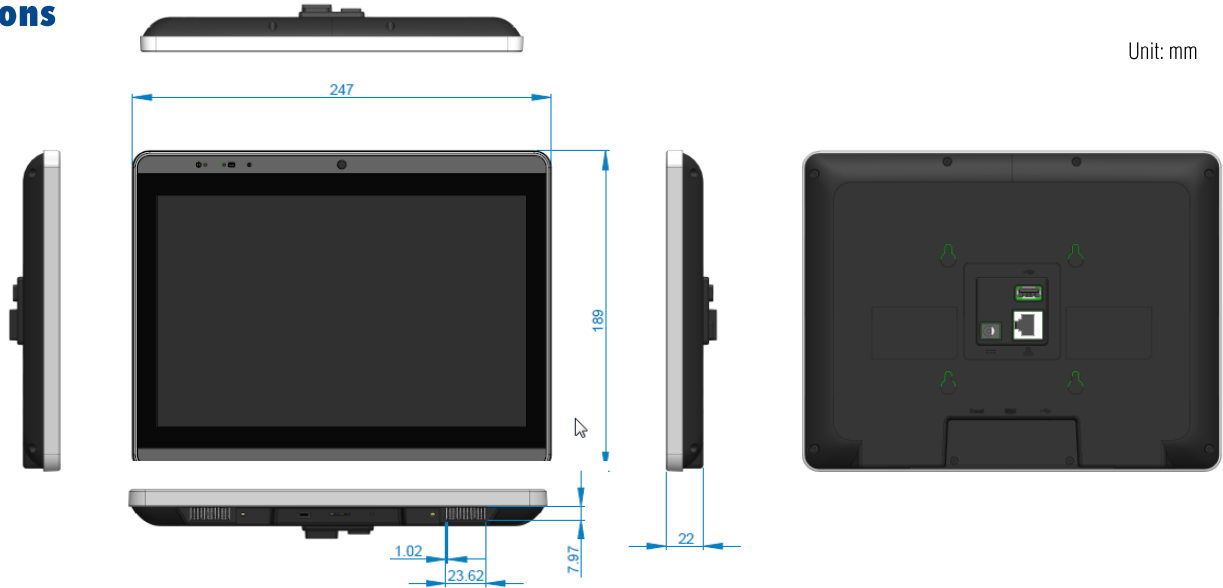
- Freescale iMX6 A9 Dual Core platform
- 10.1" display with P-Cap multi-touch operation
- 1.3M webcam ready for VOIP application
- High Quality acoustic solution integrated
- Mounting kit ready to be embedded in your application
- Operating System : Android 4.2

Specifications

Computing System	CPU	Freescale iMX6 A9 Dual Core 1.0GHz
	Memory	DDR3L 1333Mhz 2GB
Display	Screen Size	10.1" TFT LCD
	Resolution	1280x800
	Touch Type	Projective capacitive multi-touch screen
Storage	Internal	4GB eMMC NAND Flash
	External*	Micro SD, up to 64GB
Audio	Stereo Codec	Freescale STGL5000 Stereo Codec with headset AMP
	ECHO Cancellation	ForteMedia FM2018WE-380 Highly integrated single chip AEC (acoustic echo cancellation) solution
Interface	Front	1x 1.3M webcam 1x Microphone 2x Speaker
	Rear	1x USB 1x Mini USB 1x RJ45 (10/100/1000 Mps) 1x Micro SD slot 1x DC-in Jack 1x Reset button(hidden)
Power	AC Adaptor	DC12V 2A
Environment	Temperature	Operating: 0°C ~ +40°C Storage: -20°C ~ +60°C
	Humidity	Operating: 10% ~ 95% @ 40°C non-condensing, Storage: 10% ~ 95% @ 40°C non-condensing
Physical Characteristics	Dimensions (W x H x D)	247x 189x 22mm
	Weight	740g
Operating System		Android 4.2

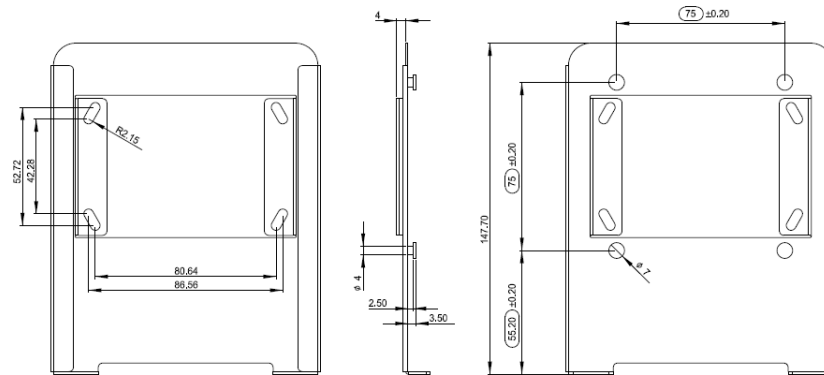
** Micro SD card is optional accessory, which is not included in standard packing list.

Dimensions

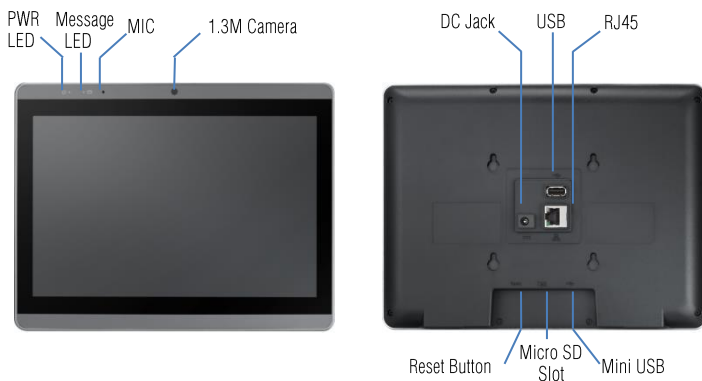


Unit: mm

Dimensions- Wall Mount Plate



Front/ Rear View



Ordering Information

Part Number	CPU	Display/ Touch	Memory
DMS-ST07-01A1E	Dual-Core 1GHz	10.1" TFT 1280x800 P-CAP Multi-Touch	2GB

Packing List

Part Number	Description	Qty
1960068243N001	Wall Mount Plate	1
1930002536-11	Screw M2.6*4L ST BZn NK	4
1930006775-01	Screw T#7-16*30L ST Ni	2
1700023817-01	Phoenix to DC Jack Cable	1

Optional Accessory List

Part Number	Description	Qty
96AP163283500001	MICRO SD CARD 8G TS8GUSDC10M C10	1

For sales inquiries or further information, please contact us: Medical.dms@advantech.com.tw