

# OPPC 1230T

12.1" TFT SVGA 4:3 Fanless Open Frame PC with Intel® Atom™ D2550,  
1.86GHz, Touch Screen, 2GB DDR3, 4 x USB, 2 x COM and VGA



## Main Features

- 4:3 12.1" SVGA Fanless LED Panel Computer
- Intel® Atom™ D2550, Dual Core, Low Consumption CPU
- Dual GbE/2nd Display-VGA and HDMI/Line-in/Line-out/MIC-in
- 4 x USB/2 x Mini-PCIe sockets/1 x CFast/2 x RS232/422/485
- DDR3 2GB/2.5" HDD Bracket
- Optional 3.5G/Wi-Fi Module/2.5" HDD/Panel Mount Kit
- Open Frame and Panel Mount/VESA Mount Compliance
- Wide Range Power Input 12~30VDC

## Product Overview

OPPC 1230T fanless Panel PCs are powered by Intel® Atom™ D2550 processor with Intel® NM10 Express chipset and support for DDR3 memory. OPPC 1230T incorporates a 12.1" 4:3 touch screen LCD panel with resolutions up to 800 x 600 (SVGA) and 450 nits brightness. It is specially designed with bezel-less display which allows customers to design front bezel according to their application requirements without any limitation.

OPPC 1230T is designed to meet the requirements of vertical market segments, such as Kiosk, ATMs, and vending machines. Customers also benefit from various mounting options, including open frame mount from both rear and front sides, VESA mount, wall mount and panel mount. This versatility gives users a quick route to market for a customized Panel PC.

## Specifications

### Panel

- LED Size: 12.1", 4:3
- Resolution: SVGA 800 x 600
- Luminance: 450cd/m<sup>2</sup>
- Contrast ratio: 700
- LCD color: 16.2M
- Viewing Angle: 65(U), 75(D), 80(L), 80(R)
- Backlight: LED

### Touch

- 5-wire resistive
- Light transmission: 80%
- Interface: USB

### System

- CPU: On-board Intel® Atom™ Dual Core processor D2550, 1.86GHz, 1M L2 Cache
- BIOS: AMI BIOS
- System chipset: Intel® NM10 Express chipset
- System memory: 2 x 204-pin DDR3 SO-DIMM socket, 2GB DDR3 (Default), Support up to 4GB DDR3-800/1066, Non-ECC and Un-buffered
- Storage Device:
  - 1 x external locked CFast socket
  - 1 x hard drive bay: optional 1 x 2.5" SATA HDD or 1 x SATA DOM
- Watchdog timer: Watchdog timeout can be programmable by

software from 1 second to 255 seconds and from 1 minute to 255 minutes (Tolerance 15% under room temperature 25°C)

- H/W status monitor: Monitoring system temperature, and voltage
- Expansion: 2 x Mini-PCIe sockets (support optional Wi-Fi or 3.5G module)

### Rear I/O

- COM #1: RS232/422/485 w/ RI or 5V selection
- COM #2: RS232/422/485 w/ RI or 12V selection
- Ethernet: 2 x RJ45
- 2nd display port: VGA (1 x DB15) and HDMI
- Audio port: 1 x Line-out; 1 x Line-in; 1 x MIC-in
- USB: 4 x USB2.0
- Power switch
- Reset button

### Audio

- HD Codec: Realtek ALC886-GR
- Audio interface: Line-out/Line-in/MIC-in Audio Jack

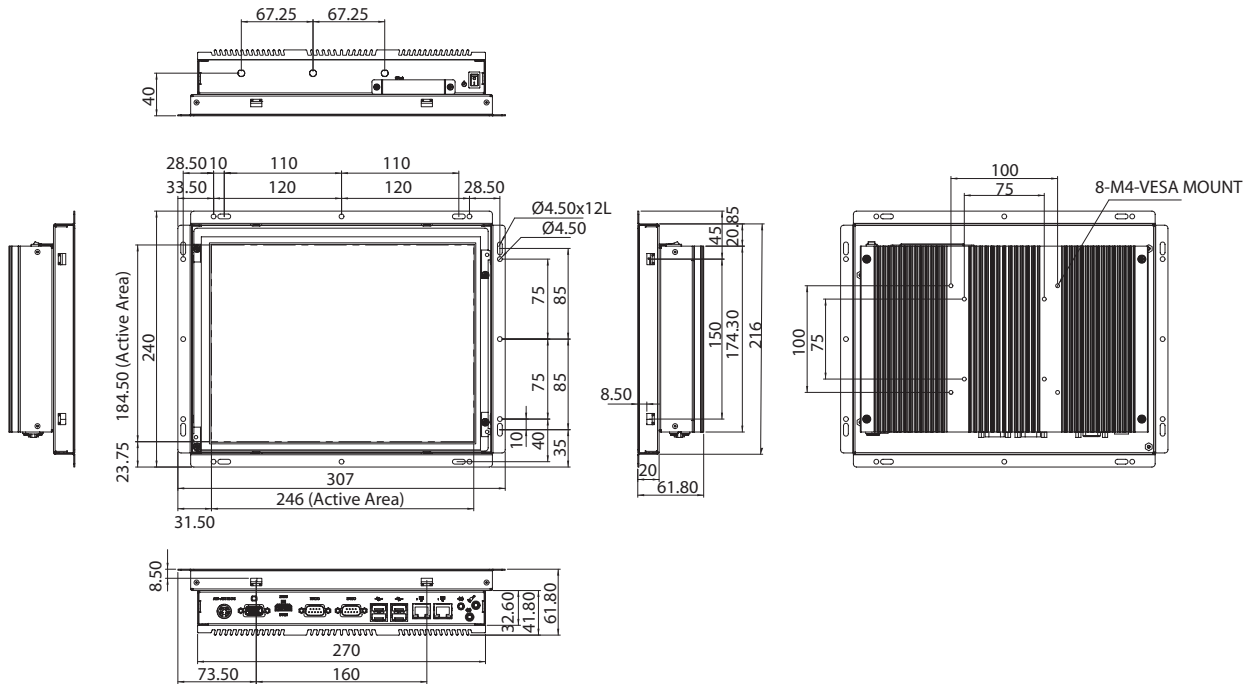
### Ethernet

- LAN chip: dual Intel® 82574L Gigabit LAN
- Ethernet interface: 10/100/1000 Based-Tx Ethernet compatible

### Mechanical & Environment

- Front panel open frame
- Mounting:

## Dimension Drawing



### Open frame mount

Panel/wall/stand/VESA 75 x 75; 100mm x 100mm

Power input: 12~30VDC

Power adapter: Optional AC to DC power adapter (+12V, 60W)

- Vibration:
  - IEC 68 2-64 (w/ HDD)
  - 0.5Grms @ sine, 5~500Hz, 1hr/axis (HDD Operating)
  - 2.2Grms @ random condition, 5~500Hz, 0.5hr/axis (Non-operating)
- Shock:
  - IEC 68 2-27
  - HDD: 20G@wall mount, half sine, 11ms
  - Operating temperature: -5°C to 50°C
  - Storage temperature: -20°C to 75°C
- Operating humidity:
  - 20%~80% relative humidity, non-condensing
- Dimension: 307 x 240 x 61.8mm
- Weight: 3.8Kg

### Certifications

- CE approval
- FCC Class A

### OS Support Lists

- Windows XP 32bit
- Windows 7 32bit
- WinCE 7.0

## Ordering Information

### Barebone

- **OPPC 1230T (P/N: 90IQ1230T00X0)**  
 12.1" TFT LED Backlight Open Frame PC with Intel® Atom™ D2550  
 1.86GHz, touch screen, 2GB DDR3, COM#1/#2

### Options

- **12V, 60W AC/DC power adapter w/o power cord (P/N: 7400060017X00)**