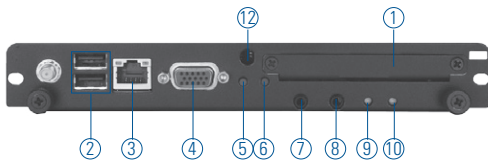


# OPS830

Intel® Atom™ Cedarview Open Pluggable Specification (OPS) Digital Signage Player

OPS830-D2550



- |                  |                             |
|------------------|-----------------------------|
| 1. 2.5" HDD Slot | 7. Audio (Line-out)         |
| 2. USB 2.0 x 2   | 8. Audio (Mic-in)           |
| 3. Ethernet      | 9. Power indicator          |
| 4. VGA           | 10. HDD indicator           |
| 5. Power switch  | 11. JAE TX-25               |
| 6. Reset         | 12. WiFi antenna (optional) |



## Specifications

|  |  |   |
|--|--|---|
| Main System                                      | CPU  | Intel® Atom™ D2550/N2600 processor                    |
|  | Chipset  | Intel® NM10   |
|  | System Memory  | 1 x 204-pin DDR3-1066 SO-DIMM max. up to 4 GB (D2550) |
|  | Storage  | 1 x 2.5" SATA HDD tray                                |
|  | BIOS   | AMI UEFI BIOS   |
| I/O  | Watchdog Timer   | 255 levels, 1 ~ 255 sec.                              |
|  | 2 x USB 2.0  |   |
|  | 1 x 10/100/1000Mbps Ethernet                                       |   |
|  | 1 x VGA  |   |
|  | 1 x power on/off button  |   |
|  | 1 x reset button   |   |
|  | 1 x Audio (Line-out/ Mic-in)                                       |   |
|  | 1 x DVI/HDMI (via OPS JAE interconnector)                          |   |
|  | 1 x DisplayPort (via OPS JAE interconnector) (Pure DP)             |   |
|  | 3 x USB 2.0 (via OPS JAE interconnector)                           |   |
| 1 x Audio (Line-out, via OPS JAE interconnector) |  |   |
| 1 x UART (TX/RX, via OPS JAE interconnector)     |  |   |
| Indicator  | 1 x LED for system power ON  |   |
|  | 1 x LED for HDD active   |   |
| WiFi   | Supports 802.11 b/g/n (optional)                                   |   |
| Expansion Slot                                   | 1 x PCI Express Mini Card  |   |
| Dimensions                                       | 200 mm (7.87") (W) x 119 mm (4.68") x 30 mm (1.18")                |   |
| Packing Dimensions                               | 270 mm (10.63") (W) x 197 mm (7.76") x 70 mm (2.76")               |   |
| Weight (net/gross)                               | 1 kg (2.21lb)/1.5 kg (3.31lb)                                      |   |
| Environmental                                    | 0°C ~ +45°C (+32°F ~ +113°F) (with airflow 0.7 m/s) (OPS830-D2550) |   |
|  | 0°C ~ +40°C (+32°F ~ +104°F) (with airflow 1.2 m/s) (OPS830-N2600) |   |

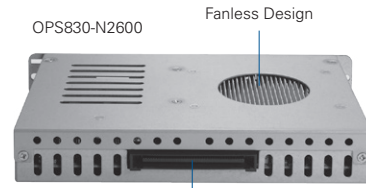
## Packing

- 1 x driver CD
- 1 x HDD mylar x 1
- 1 x thermal grease
- 1 x thermal pad
- 2 x M3 x 4 screw
- 2 x M4 x 6 screw

## Features

- Open Pluggable Specification (OPS) compliance
- Built-in Intel® Atom™ processor D2550/N2600 (fanless)
- DDR3-1066 SO-DIMM max. up to 4 GB by D2550
- PCIe Mini Card supported
- Easy maintenance: pluggable HDD and easy-to-change DRAM
- VGA connector

OPS830-N2600



▲ Rear view

## Optional EOS Installation

Windows® 7 Embedded

## Optional OS Installation

Windows® 7

## Ordering Information

### Standard

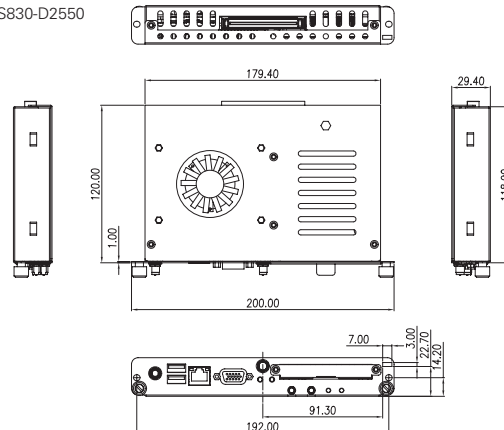
|              |  |
|--------------|--|
| OPS830-D2550 | OPS digital signage player supports Intel® Atom™ processor D2550         |
| OPS830-N2600 | Fanless OPS digital signage player supports Intel® Atom™ processor N2600 |

### Optional

|         |                   |
|---------|-------------------|
| AX93157 | OPS docking board |
|---------|-------------------|

## Dimensions

OPS830-D2550



\* All specifications and photos are subject to change without notice.