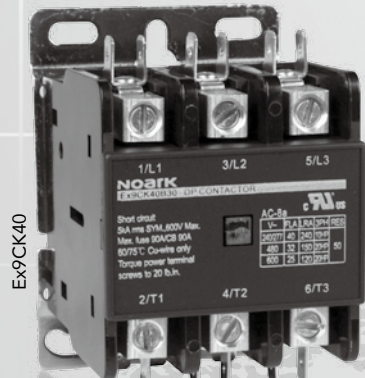
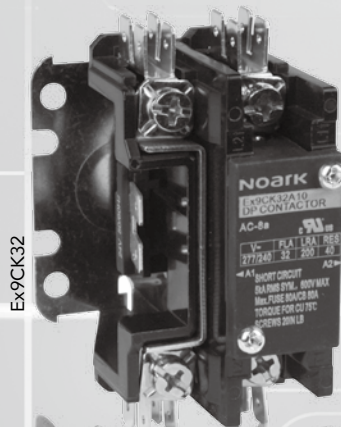


# NOARK

## Data Sheet Definite Purpose Contactors UL 508 Ex9CK Series



## NOARK Ex9CK Series

Ex9CK Series DP Contactors provide high performance with both flexibility and reliability. They are designed to match numerous applications including:

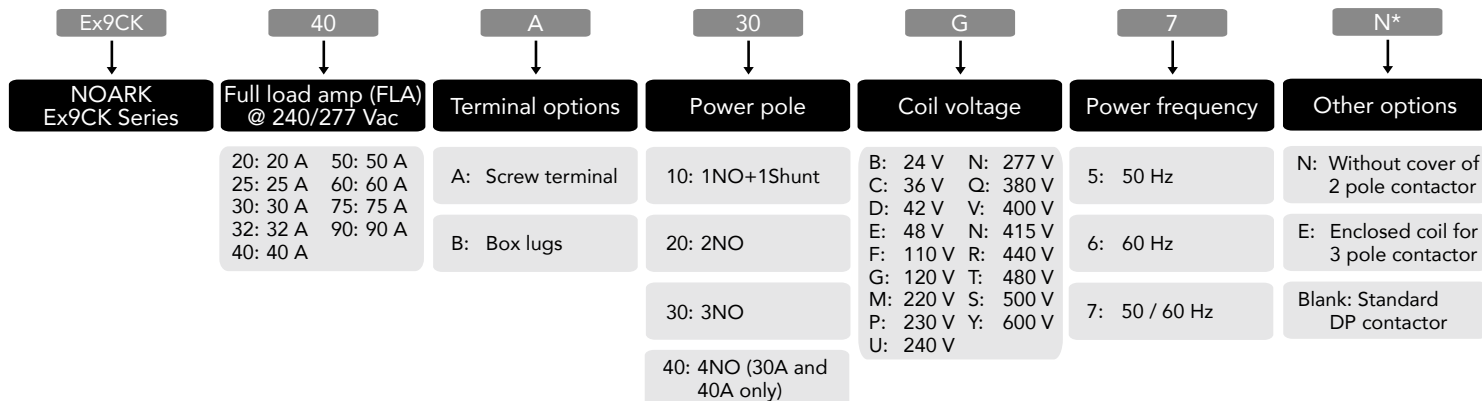
- Air conditioning
- Resistive heating
- Refrigeration equipment
- Motors
- Welding
- Pumps
- Power supplies
- Food service equipment
- Compressors
- Business machines

## Approval By

- UL 508 Guide No. NLDX2. E353866
- CSA C22.2 No. 221260
- IEC/ EN 60947-4-1
- Compliance to ARI-780 standards

## Features

- Available as:
  - 20 A, 25 A, 32 A - 1, 2 and 3 pole
  - 30 A, 40 A - 1, 2, 3 and 4 pole
  - 50 A, 60 A, 75 A, 90 A - 3 pole
- Industry standard mounting plate provides easily accessible mounting holes
- More connection terminal options, including screw or lug connections each with quick connect spades
- Coil is class H (180° C) insulation system with a wide range of voltages and 50 / 60 Hz ratings
- Double E magnet assembly provides optimal performance with reduced power consumption
- 1NO+1NC auxiliary contact block with 600 Vac rating available as an option
- Base assembly is made from high arc-resistant polyester



\*Note: A) These are all covered contacts, and by adding "N" prefix to the part number they can be supplied as open.  
 B) Dust covers can be added to all contactors.  
 C) For more details, please contact our sales team.

## Specifications

Coil technical data	Ex9CK 20 to 40 A - 1 pole / 2 poles			Ex9CK 20 to 40 A - 3 poles		
Nominal coil voltage (Vac)	24	120	208/240	24	120	208/240
Pick up voltage range (Vac)	20.4 - 26.4	102 - 132	204 - 264	20.4 - 26.4	102 - 132	204 - 264
Drop out voltage range (Vac)	4.8 -15.6	24 - 78	48 - 156	4.8 -15.6	24 - 78	48 - 156
Nominal inrush VA (50 / 60Hz)	55	55	55	51	51	51
Nominal sealed VA (50 / 60Hz)	13	13	13	12	12	12
Other	Ex9CK 20 / 25 A - 1 to 3 poles			Ex9CK 30 to 40 A - 1 to 3 poles		
Line and load terminals	Screw / box lug			Screw / box lug		
Wire size	#14-10 AWG rigid wire with single core #14-12 AWG flexible stranded wire			#12-8 AWG rigid wire with single core #14-12 AWG flexible stranded wire		
Tightening torque (recommended) lb.in	Coil	-	-	-		
	Power pole	20	-	-		
Quick connects (power terminals)	Dual .250 QC	-	-	-		
Coil terminals	Dual .250 QC	-	-	-		
Covers	1 pole / 2 pole	Option	-	-		
	3 poles	Standard	-	-		
Insulation system	180°C Class H	-	-	-		
Coil Technical Data	Ex9CK 50 to 60 A - 3 poles			Ex9CK 75 to 90 A - 3 poles		
Nominal coil voltage (Vac)	24	120	208/240	24	120	208/240
Pick up voltage range (Vac)	20.4 - 26.4	102 - 132	204 - 264	20.4 - 26.4	102 - 132	204 - 264
Drop out voltage range (Vac)	4.8 -15.6	24 - 78	48 - 156	4.8 -15.6	24 - 78	48 - 156
Nominal inrush VA (50 / 60 Hz)	84	84	84	165	165	165
Nominal sealed VA (50 / 60 Hz)	14	14	14	30	30	30
Other	Ex9CK 50 / 60 A - 3 poles			Ex9CK 60 A - 3 poles		
Line and load terminals	Screw/ box lug			-		
Wire size	# 10-6 AWG rigid wire with single core # 10-8 AWG flexible stranded wire			-		
Tightening torque (recommended) lb.in	Coil	10	-	-		
	Power pole	40	-	-		
Quick connects (power terminals)	Dual .250 QC	-	-	-		
Coil terminals	Dual .250 QC	-	-	-		
Covers	Standard	-	-	-		
Insulation system	180°C Class H	-	-	-		
Other	ExCK 75A - 3 poles			ExCK 90A - 3 poles		
Line and load terminals	Screw / box lug					
Wire size	#6-3 AWG rigid wire with single core #8-4 AWG flexible stranded wire			#4-3 AWG rigid wire with single core #8-4 AWG flexible stranded wire		
Tightening torque (recommended) lb.in	Coil	10	-	-		
	Power pole	50	-	-		
Quick connects (power terminals)	Dual .250 QC	-	-	-		
Coil terminals	Dual .250 QC	-	-	-		
Covers	Standard	-	-	-		
Insulation system	180°C Class H	-	-	-		

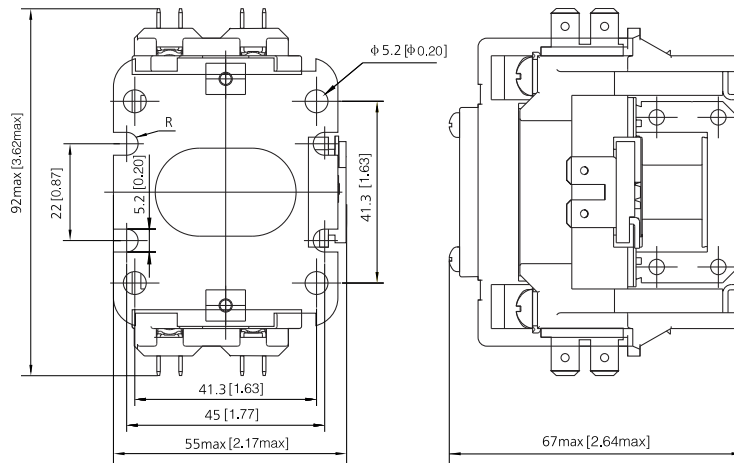
## Ratings & Packaging

Full load amps	Number of poles	Resistive amps @ 600 Vac	Locked rotor amps			Standard pack qty. per carton
			240/277 V	480 V	600 V	
20/25	1	32	150	-	-	64
20/25	2	32	150	120	90	64
20/25	3	32	150	110	90	54
30/32	1	40	200	-	-	64
30/32	2	40	200	150	120	64
30	3	40	200	115	95	54
32	3	40	200	150	120	54
30	4	40	180	150	130	40
40	1	50	240	-	-	64
40	2	50	240	200	160	64
40	3	50	240	150	120	54
40	4	50	240	200	160	50
50	3	60	300	215	175	27
60	3	75	360	215	175	26
75	3	90	450	375	300	12
90	3	100	540	450	360	12

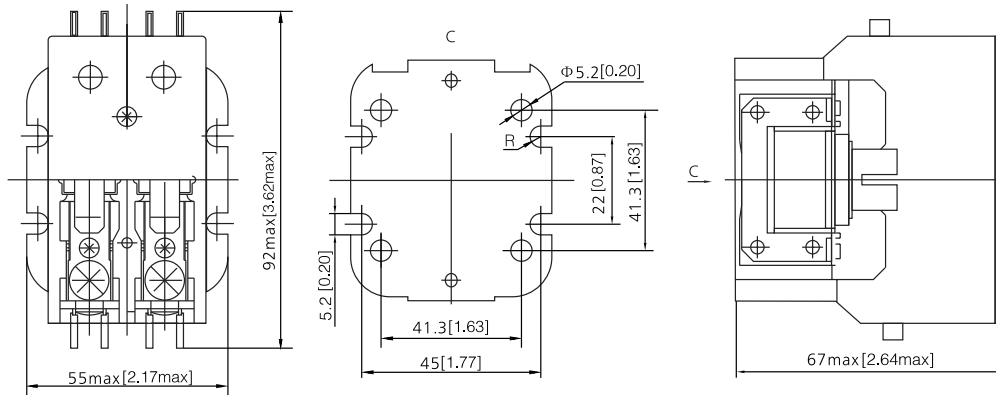
## Dimensions

Unit: mm [in.]

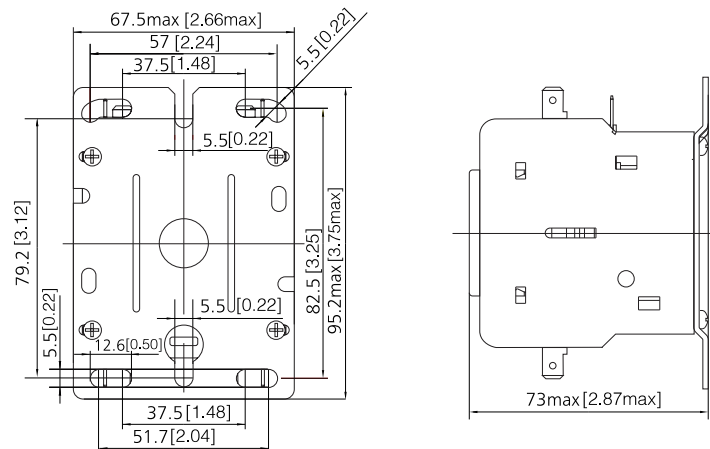
Ex9CK20~40 - 1 pole + 1Shunt



Ex9CK20~40 - 2 poles



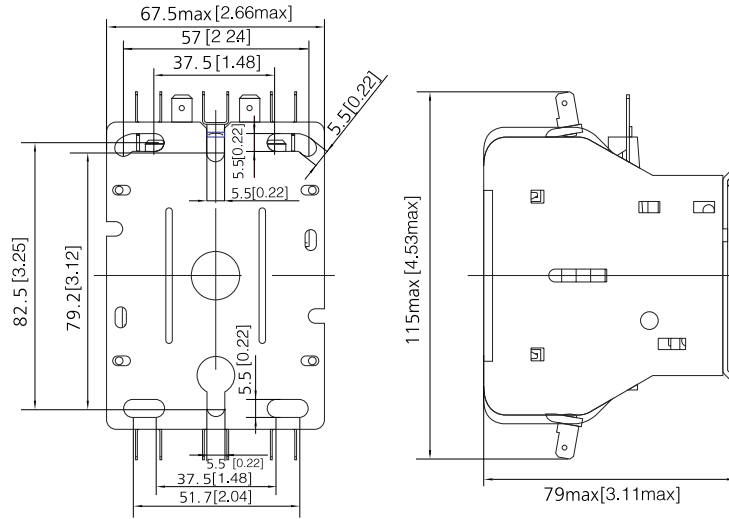
Ex9CK20~40 - 3 poles



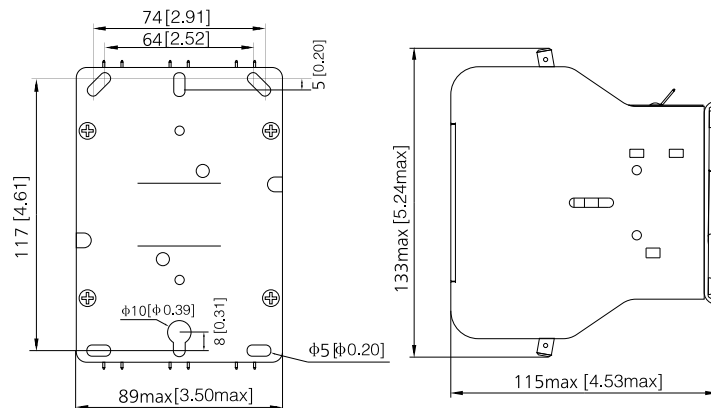
## Dimensions

Unit: mm [in.]

Ex9CK50~60 - 3 poles



Ex9CK75~90 - 3 poles





# NOARK

---

## **NOARK Electric North America**

9817 South 13th Street • Oak Creek, WI 53154  
(414) 304-8189

[www.NoarkUSA.com](http://www.NoarkUSA.com) • [NASales@Noark-Electric.com](mailto:NASales@Noark-Electric.com)



**Note:** NOARK Electric reserves the right to make technical changes or modify the contents of this document without prior notice. With regard to purchase orders, the agreed particulars shall prevail. NOARK Electric nor any of its affiliates or subsidiaries shall be responsible or liable for potential errors or possible lack of information in this document. NOARK Electric reserves all rights in this document and in the subject matter and illustrations contained therein. Any reproduction, disclosure to third parties or utilization of its contents – in whole or in parts – is forbidden without prior written consent of NOARK Electric.