

# IPC922-215-FL

2-slot Fanless System with Intel® Celeron® Processor J1900 (up to 2.42 GHz), PCIe & PCI Slots

## Features

- Intel® Celeron® processor J1900 (up to 2.42 GHz)
- Fanless & ventilation-free
- Supports 2 expansion slots
- 10 ~ 30 VDC to DC power supply
- Compact & front I/O design



▲ Rear view



## Specifications

Standard Color	Silver	
Construction	Aluminum extrusion heavy-duty cold-rolled steel	
System Board	SHB215	
Processor System	CPU Level	Intel® Celeron® processor J1900
	Max. Speed	2.42 GHz
	Front Side Bus	N/A
	Chipset	SoC
System Memory	1 x 204-pin DDR3L 1333 SO-DIMM, up to 8GB	
I/O Interface (Front)		4 x USB 2.0
		4 x RS-232-422-485 (COM 1/2/3/4)
		2 x 10/100/1000 Mbps
		1 x VGA
		1 x Remote switch
		1 x Power on/off switch
		1 x ATX/AT mode SW
		1 x PS/2 key board and mouse

Expansion Interface	HAB108: 2 PCI
	HAB103: 1 PCI & 1 PCIe x4 (PCIe x4 slot only support PCIe x1 signal)
Storage	1 x 2.5" SATA HDD
	1 x onboard CFast™ socket
System Indicators	1 x power on/off, 1 x HDD
Power Supply	DC ATX 120W:
	Input: 10 ~ 30 VDC
	Output: +5V @ 6A, +3.3V @ 5A, +12V @ 5A, -12V @ 0.1A, 5Vsb @ 2.5A
Operation Temperature	-10°C ~ +50°C (14°F ~ +122°F)
Storage Temperature	-20°C ~ +80°C (-4°F ~ +176°F)
Humidity	10% ~ 90%, non-condensing
Dimensions	118 mm (4.6") (W) x 248 mm (9.8") (D) x 185 mm (7.3") (H)
Weight (net/gross)	4.22 kg (9.28 lb)/5.3 kg (11.68 lb)
Certification	CE

## Ordering Information

IPC922-215-FL-HAB103-DC (P/N: E26G922106)	2-slot fanless system with Intel® Celeron® processor J1900, PCI & PCIe slots and DC-in ATX 120W P/S
IPC922-215-FL-HAB108-DC (P/N: E26G922104)	2-slot fanless system with Intel® Celeron® processor J1900, PCI slots and DC-in ATX 120W P/S

\*Specifications and certifications may vary according to various options.

## Optional Items

AX93221-18/36: DVI card  
40P-40P LVDS cable  
DVI bracket for AX93221  
2.5" SATA HDD: 250GB, 320GB, 500GB  
DDR3 SO-DIMM: 2GB, 4GB, 8GB

## Power Protection

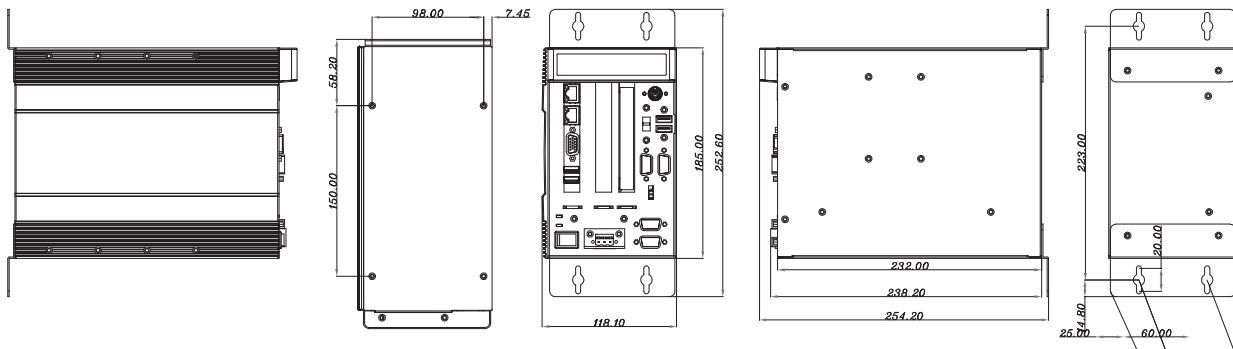
### DC Version

SCP (short circuit protection)  
OVP (over voltage protection)  
OLP (over load protection)

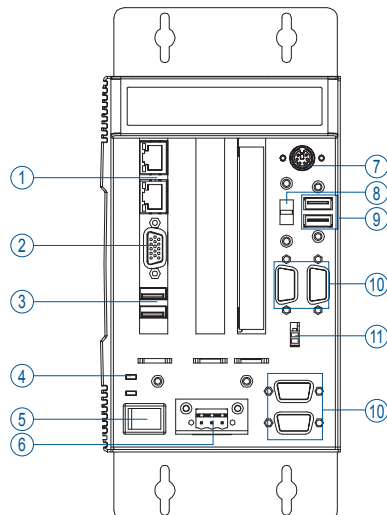
## Packing List

1 x Driver CD  
1 x Quick manual  
2 x Wall mount bracket  
4 x Foot pad  
1 x Screw pack  
1 x Thermal pad for RAM  
1 x Terminal block (for DC version)  
1 x Remote power switch cable  
1 x HDD bracket

## Dimensions



## Front & Rear Metal Panel I/O Layout



1. Ethernet x 2
2. VGA port
3. USB 2.0 x 2
4. LED for power & HDD
5. ATX power switch
6. Power connector (Din-jack or Phoenix plug)
7. PS/2 connector
8. AT/ATX Mode switch
9. USB 2.0 x 2
10. 4 x RS-232/422/485 (COM 1/2/3/4)
11. Remote power switch

