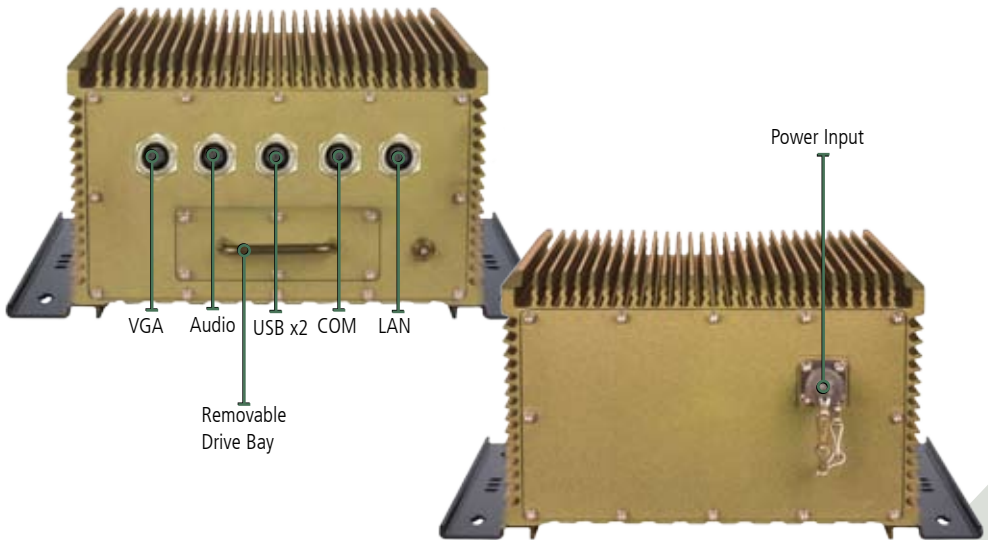


# REC-2740

**IP67-rated Fanless Embedded Box PC  
with Intel® Core® i7-2610UE CPU**



## Overview

REC-2740 is a fanless embedded system with MIL-STD-810G compliance and IP67 rated enclosure, offering military standard of shock and vibration resistance and extra protection of dust and water splash. With wide temperature support and state-of-art Intel Core™ i7-2610UE processor, the robust REC-2740 provides a reliable solution that works in the most extreme environment on the planet.

## Features

### **Onboard 2nd Gen Intel® “Sandy Bridge” Platform**

Based on 2nd generation Intel “Sandy Bridge” microarchitecture, the Intel Core i7-2610UE CPUs features enhanced power efficiency with only 17 watts thermal design power.

### **IP67-rated Design**

Featuring IP67-rated connectors and enclosure, the rugged REC-2740 is protected against dust, splash and water immersion for 30 minutes at a depth of 1 meter

## Designed for MIL-STD-810G with Extreme Vibration and Shock Resistance

REC-2740 is in compliance with military standard MIL-STD-810G vibration and shock standards and includes SSD storage.

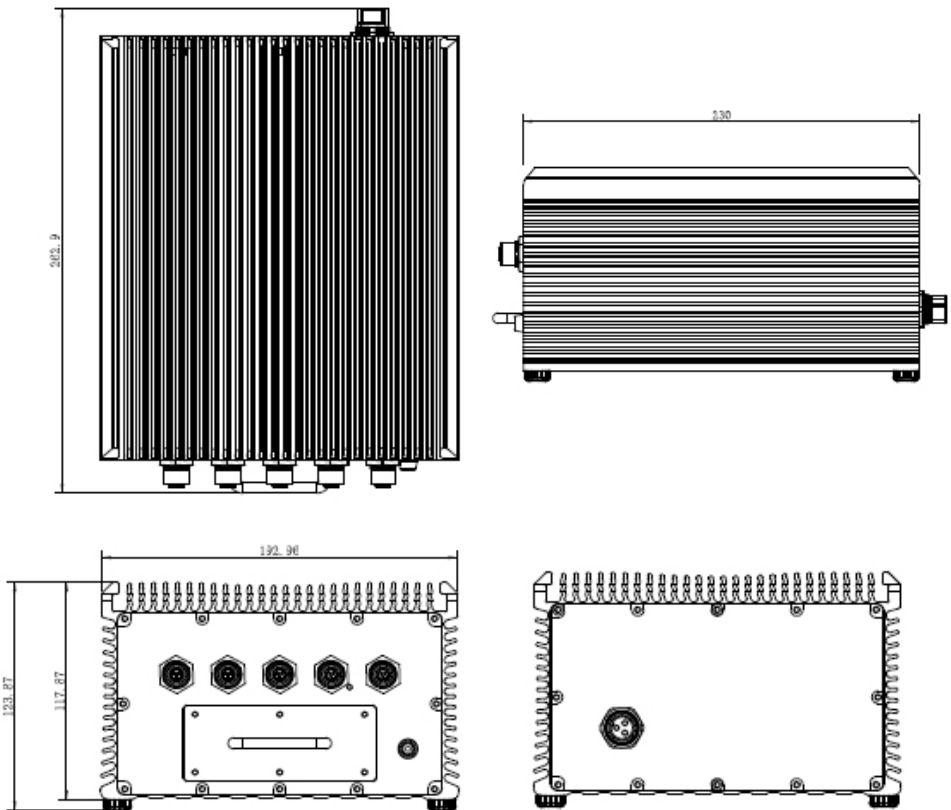
## Fanless Design

This IPCs lifespan has been extended by removing the most easily damaged component, the fan.

## Extreme Operating Temperature

This product is ruggedized to support a wider than usual range of temperatures. Outfitted with industrial components (SSD, CF, Memory) this appliance can thrive in harsh conditions.

## Dimensions 118 x 193 x 230 mm



## Preliminary Specifications

<b>Processor Options</b>		Intel® Core™ i7-2610UE (1.5 GHz) CPU
<b>Chipset</b>		Intel® HM65
<b>BIOS</b>		AMI BIOS
<b>System Memory</b>	Socket	1 x 204-pin SODIMM socket
	Technology	DDR3 1333MHz
	Max. Capacity	Up to 8 GB
<b>USB</b>		2 x USB 2.0 compliant hosts
<b>Serial Port</b>		1 x COM: RS-232/422/485 (mode selection by BIOS)
<b>Expansion Bus</b>		Internal 2 x full-size Mini-PCIe sockets
<b>OS Support</b>		Microsoft Window 7 Embedded 64 bit
<b>Storage</b>	HDD/SSD Support	1 x 2.5" SSD drive bay
	Expansion	N/A
<b>Networking</b>	LAN	1 x 10/100/1000Mbps LAN port, Autosensing
	Controller	Intel 82583V
<b>Display</b>	Graphics Controller	Intel® HD Graphics 3000
	Display Interface	VGA x 1 (up to 1920x1080), reserved internal LVDS 18bit
<b>LEDs</b>		1x green IP67 LED for Power-On status
<b>Physical Characteristics</b>	Housing	Aluminum
	Weight	6 kg
	Dimensions (WxHxD)	193 x 118 x 230 mm
	Mounting Options	Wall mount
<b>Environment</b>	Operation Temperature	-25~55°C (with Industrial grade components)
	Storage Temperature	-20~75°C
	Ambient Relative Humidity (non-condensing)	5 to 95% (non-condensing)
<b>Power</b>	Input Voltage	+15~30 VDC +/- 5%
	Power Consumption	TBD
	Connector	M15 (3pin)
	AC Adapter	TBD
<b>Standard and Regulation</b>	EMC	CE, FCC Class A
	Green product	RoHS
	IP Rating	IP67 (Need contact with IP67 mating cable or protection cap)
<b>Reliability</b>	Alter tool	Built-in buzzer and RTC (real-time clock) with battery lithium backup
	Automatic Reboot Trigger	Watchdog Timer 1~255 level time interval system reset, software programmable
	MTBF	TBD

# Ordering Information

REC-2740

Rugged Fanless Embedded Box PC with 2nd Gen Intel® Core® i7-2610UE CPU

## MIL-Standard Compliant Test (subject to change)

<b>Water Proof</b>	IP 67	MIL-STD-810G Method 512.5
	EMI	MIL-STD-461F
	Vibration	MIL-STD-810G Method 514.6
	Shock	MIL-STD-810G Method 516.6, operating : procedure I
<b>Thermal &amp; Environment</b>	Environmental Temp.	MIL-STD-810G Method 502.5, operating:-40~71/-20~55
	Environmental Temp.	MIL-STD-810G Method 502.5, storage : -56~71
	Altitude	MIL-STD-810G Method 500.5, 15000ft. Procedure I,II
	Humidity	MIL-STD-810G Method 507.5, procedure II
	Salt Fog	MIL-STD-810G Method 509.5, 48hr-48hr