

eBOX800-841-FL NEW

Rugged IP67-rated Fanless Embedded System with Intel® Atom™ Processor E3845 1.91 GHz, VGA, 2 GbE LANs, 2 USB, 2 COM and 9-36 VDC

Features

- Fanless design with IP67-rated
- Intel® Atom™ E3845 quad-core onboard
- 4 antenna opening with water proof design for WLAN & WWAN usage
- -30°C to +60°C wide operating temperature range
- 9-36 VDC wide range power input
- Flexible I/O for customized and mission-critical projects



Specifications

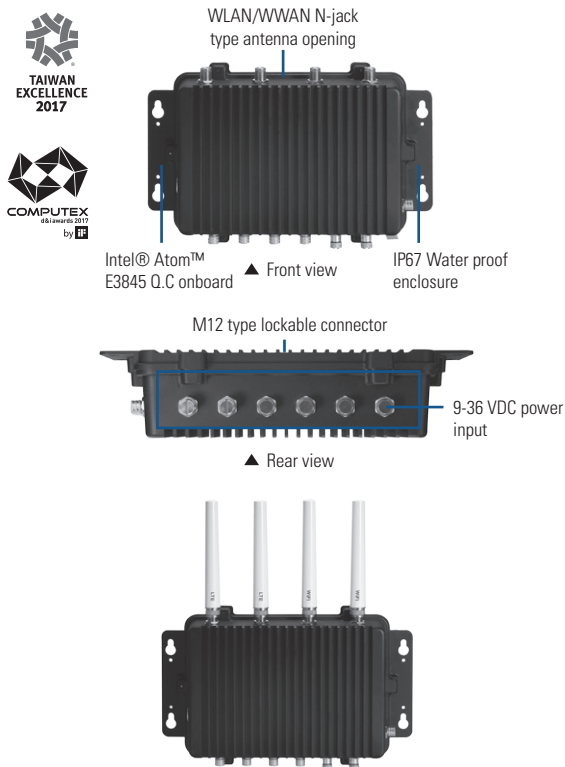
| | |
|-----------------------|--|
| Standard Color | Black |
| Construction | Aluminum die-casting and heavy-duty steel, IP67 |
| CPU | Intel® Atom™ processor E3845 1.91 GHz |
| System Memory | 1 x 204-pin DDR3L-1066/1333 SO-DIMM, up to 8GB |
| Chipset | SoC integrated |
| BIOS | AMI |
| System I/O Outlet | 2 x RS-232/422/485 (COM1/2, M12) 1 x VGA (M12) 2 x 10/100/1000 Mbps Ethernet (M12) 2 x USB 2.0 (M12) 1 x 9-36 VDC power input (M12) 1 x ATX power switch w/indicator 4 x Antenna opening N Jack type w/ water proof design |
| Watchdog Timer | 255 levels, 1-255 sec. |
| Storage | 1 x 2.5" SATA HDD drive bay 1 x mSATA 1 x CFast™ |
| Expansion Interface | 1 x full-size PCI Express Mini Card slot (USB + PCI Express signal) 1 x half-size PCI Express Mini Card slot (USB + PCI Express signal) 1 x SIM slot |
| System Indicator | 1 x green LED for system power-on |
| Power Supply | 9-36 VDC |
| Operating Temperature | -30°C ~ +60°C (-22°F ~ +140°F) (with E3845, W.T. SSD/DRAM) |
| Humidity | 10% ~ 95% , non-condensing |
| Vibration Endurance | 3 Grms with SSD (5-500Hz, X, Y, Z directions) |
| Dimensions | 210 mm (8.27") x 366.83 mm (14.44") x 83 mm (3.27") |
| Weight (net/gross) | 4.31 kg (9.5 lb)/5.1 kg (11.24 lb) |
| Certificate | CE FCC Part 15B Class A |
| EOS | Win 10 IoT, WE8S, WES7 |

Packing List

- 1 x Quick manual
- 1 x Driver CD
- 1 x Water-proof PWR cable (100 cm)
- 1 x Water-proof VGA cable (180 cm)
- 1 x Water-proof USB 2.0 cable (180 cm)

Power Protection

- DC Version**
- OVP (over voltage protection)
 - OCP (over current protection)
 - SCP (short circuit protection)

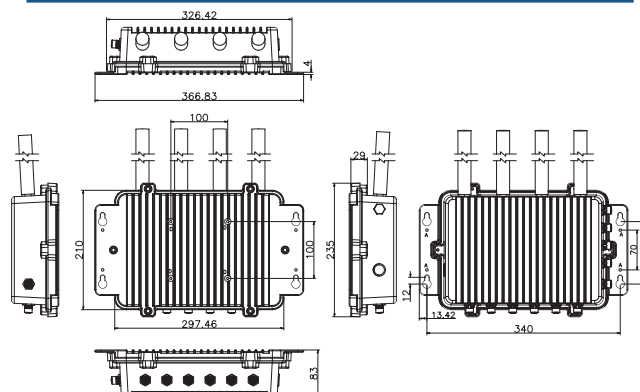


Ordering Information

| Standard | |
|----------------------|--|
| eBOX800-841-FL-DC | Rugged IP67-rated fanless embedded system with Intel® Atom™ processor E3845 1.91 GHz, VGA, 2 GbE LANs, 2 USB, 2 COM and 9-36 VDC |
| Optional | |
| 2.5" SATA HDD (W.T.) | 40GB or above |
| 2.5" SATA SSD (W.T.) | 4GB or above |
| DDR3L SO-DIMM (W.T.) | 2GB - 8GB |
| CFast™ (W.T.) | 8GB - 128GB |
| LTE module | |
| Wi-Fi module | |
| 3G module | |
| RS-232 cable, 180 cm | 594B8122100E |
| LAN cable, 180 cm | 594B8152710E |
| 24V 120W Adapter | 50966D45010E |

*Specifications and certifications are based on options and may vary.

Dimensions



Updated May 04, 2017. * All specifications and photos are subject to change without notice.