

# PPC-4211W

## 21.5" Fanless Wide Screen Panel PC with Intel® Core™ i5-4300U/i3-4010U Processor



### Features

- 21.5" Full HD entirely flat panel with Projected capacitive touchscreen or flat panel with resistive touchscreen
- High performance Intel Core i CPU with Fanless design
- Supports 2 x 2.5" HDD Bay (supports Intel RAID)
- PCIe x4 or PCI expansion support
- Automatic data flow control over RS-485
- Wide Range DC 12-32 V support
- Dual Gigabit Ethernet, support IEEE1588
- 3 x Independent display



### Introduction

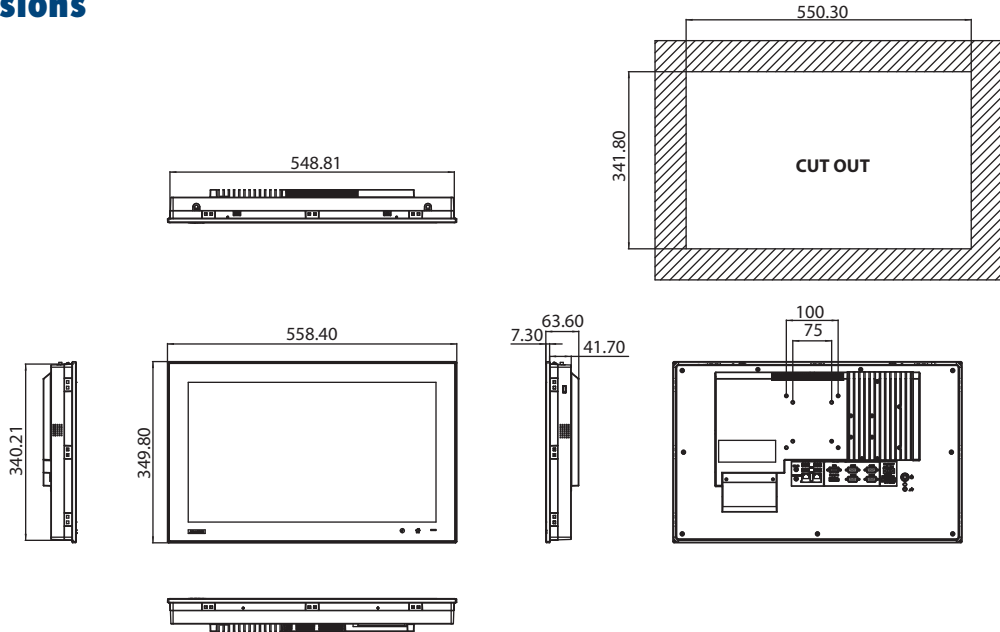
The PPC-4211W is a new generation Panel PC with Full HD (1920 x 1080) screen. The large panel helps display more important information on one screen. Most importantly, the system is equipped with a high performance Intel® Core™ i CPU, yet operating heat is easily dispatched by the high efficiency, fanless thermal design. This is a big step forward in HMI, consolidating performance and reliability in one system. Besides, rich I/O such as 5 x COM, 5 x USB and dual Gigabit Ethernet make device connection and integration easy. Moreover, PCIe x4 expansion allows adding field bus or proprietary cards for even more application possibilities. Last but not least, the multi touch screen makes the HMI more intuitive, delivering the best operating experience.

### Specifications

Model	PPC-4211W-P5AE		PPC-4211W-R3AE	
<b>Processor System</b>	CPU	Intel Core i5-4300U, Dual Core	Intel Core i3-4010U, Dual Core	
	Frequency	1.9GHz, turbo boost to 2.9GHz	1.7GHz	
	2nd Cache	3MB		
	Memory	1 x SO-DIMM, DDR3L1333/1600, Max 8GB (1.35V)		
	Storage	2 x 2.5" SATA Bay (supports Intel RAID) 1 x mSATA Bay		
	Network (LAN)	2 x 10/100/1000 Mbps Ethernet (Intel I211-AT; Intel I218LM)		
	I/O ports	5 x Serial ports: 4 x RS-232, 1 x RS-422/485 with isolation 1K VDC 4 x USB 3.0 ports in rear side, 1 x USB 2.0 in right side 1 x Line-out, 1 x MIC-in 1 x DB15 VGA 1 x Display Port (1.2)		
	Expansion	1 x Mini PCIe 1 x PCIe x 4 (default); 1 x PCI (in the accessory box)		
	Watchdog Timer	255 timer levels, set up by software		
	Speaker	2 x 1W		
<b>Physical Characteristics</b>	Dimensions	557.77 x 349.17 x 63.6 mm (22.0" x 13.7" x 2.5")		
	Weight	7.8 kg (17.2 lb)		
<b>OS Support</b>	OS Support	Microsoft® Windows 7 32 and 64-bit/Windows 8.1 32 and 64bit/WES 7 32 and 64-bit/Windows 10 32 and 64bit/Linux		
<b>Power Consumption</b>	Input Voltage	12 - 32 Vdc		
	Power Consumption	i5-4300U/i3-4010U: 66W (Burn-in test 7.0 in Windows 7 64 bit)		
<b>LCD Display</b>	Display Type	21.5" TFT LCD (LED Backlight)		
	Max. Resolution	1920 x 1080		
	Viewing Angle	89 (Left), 89 (Right), 89 (Up), 89 (Down)		
	Luminance (cd/m2)	300		
	Contrast Ratio	5000		
	Backlight Lifetime	50,000 hrs min.		
<b>Touchscreen</b>	Touch Type	Projected Capacitive Multi-Touch 10 Point	Analog Resistive 5-Wire	
	Light Transmission	88 % ± 2 %	80% ± 3%	
	Controller	USB Interface		
<b>Environment</b>	Operating Temperature	0 - 50°C (32 - 122°F)		
	Storage Temperature	-40 - 60°C (-40 - 140°F)		
	Relative Humidity	10 - 95% @ 40°C (Non-Condensing)		
	Shock	Operating 10 G Peak Acceleration (11 ms Duration), Follows IEC 60068-2-27		
	Vibration	Operating Random Vibration Test 5 ~ 500Hz, 1Grms @with HDD; 2Grms @with SSD, Follows IEC 60068-2-64		
	EMC	CE, FCC Class B, BSMI		
	Safety	CB, UL, CCC, BSMI		
Front Panel Protection	IP65 Compliant			

## Dimensions

Unit: mm

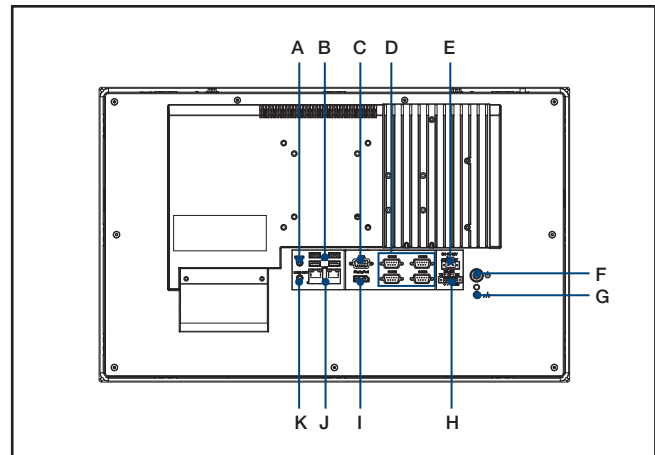


Cut-out dimensions: 550.3 x 341.8 mm

## Ordering Information

Part No	Description
PPC-4211W-P5AE	21.5" Wide screen PPC with PCT Multi-touch, Intel Core i5-4300U
PPC-4211W-R3AE	21.5" Wide screen PPC with resistive touch, Intel Core i3-4010U
1702002600	Power Cord 3P UL/CSA (USA) 125V 10A 1.83M 180D
1702002605	Power Cable 90D 220V EUROPEAN 250V/6A 1.8M
96CB-POWER-B-1.8M1	POWER CORD for China 1.8M
96PSA-A150W19P2-1	Adapter AC100-240V 150W 19V
PPC-174T-WL-MTE	Wall mount kit for PPC series
PPC-ARM-A03	ARM VESA Standard (A-CLEVER) for PPC series
PPC-WLAN-B1E	Wi-Fi Module with Antenna Cable 40cm for PPC
PPC-STAND-A1E	Stand for PPC Series
2070012905	Image WES7P 32-bit Multi V4.12 PPC-4151W/4211W-P
2070013051	Image WES7P 64-bit Multi V4.12 PPC-4151W/4211W-P
98R3415010E	Front USB on cabinet module with Cable 100cm
98R3612000E	mSATA/CFast to USB Card Reader

## I/O Appearance



- A. Mic-in
- B. 4 x USB 3.0
- C. VGA Port
- D. 4 x RS-232
- E. DC Inlet
- F. Power Button
- G. Ground Line
- H. 1 x RS-422/485
- I. Display Port
- J. 2 x 10/100/1000 Mbps Ethernet
- K. Line-out