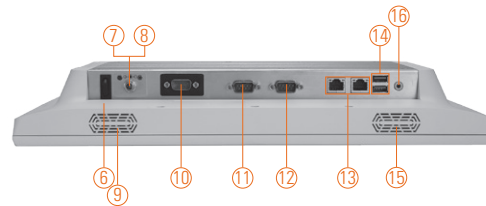
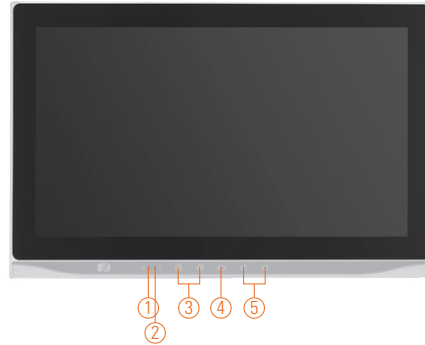


MPC153-834

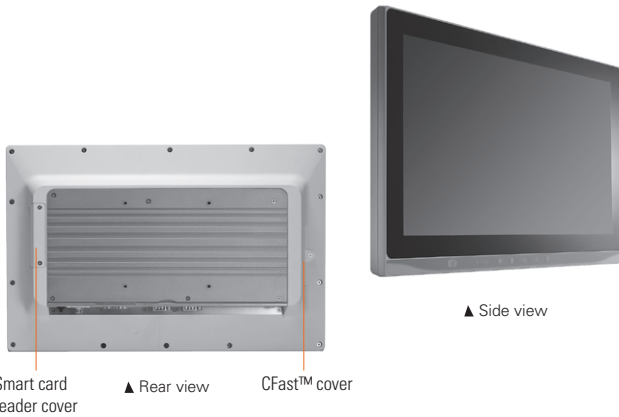
15.6" WXGA TFT Medical Grade Fanless Touch Panel Computer with Intel® Celeron® Processor J1900

Features

- 15.6" WXGA TFT LCD display with LED backlight
- Projected capacitive touch or 5-wire flat resistive touch for optional
- Fanless design with Intel® Celeron® processor J1900 4 cores (up to 2.42 GHz)
- EN 60601-1/CE/FCC class B certified
- Half-slim SSD & CFast™ or mSATA
- Antimicrobial plastic enclosure
- IP65 front bezel and IPX1 full enclosure design
- Supports optional wall mount/VESA arm/desktop stand
- Supports optional smart card reader



- | | | |
|--------------------------|------------------------------------|----------------------|
| 1. Power LED | 7. Power input connector (Screw) | 13. Ethernet x 2 |
| 2. HDD LED | 8. Power input connector (Phoenix) | 14. USB 3.0 x 2 |
| 3. Brightness adjust +/- | 9. Speaker | 15. Speaker |
| 4. Display on/off | 10. Isolated COM 3 | 16. Audio (Line-out) |
| 5. Volume adjust | 11. COM 1(RS-232/422/485) | |
| 6. Power switch (ATX) | 12. COM 2(RS-232/422/485) | |



Introduction

The MPC153-834 is a 15.6" Intel® Celeron® based medical grade fanless touch panel computer. In response to market demand, this medical touch panel computer is a cost effective solution. It adopts a modern, sleek and fanless design and is equipped with a 15.6" TFT LCD as well as Intel® Celeron® processor J1900 4 cores up to 2.42 GHz (Bay Trail). For wireless network connection, the MPC153-834 offers 2 mini card slots. By just plugging in a mini card WLAN card, customers can have instant access to wireless LAN/GPRS/GSM/4G environments. Besides, it provides two types of power input. One is DC power input (9-36VDC) with terminal block connector, and another is AC medical power adapter with screw type connector.

Slim & Lightweight Design

The 15.6-inch medical panel PC is slim and lightweight which makes it fit for limited space installation.

Built-in Internal WLAN Antenna

The MPC153-834 provides 2 mini card slots and a built-in WLAN antenna for wireless network connections. By simply plugging in the wireless LAN card, customers can use the medical computer in wireless LAN/GPRS/GPS/4G environment.

Support Front Membrane Keys

The MPC153-834 provides 5 membrane keys in front of system, people can adjust the system display, volume and brightness.

Certifications

This 15.6-inch fanless medical panel platform complies with EN 60601-1, CE, FCC Class B certifications to ensure medical operation safety.

Specifications

Front Bezel	IP65 front bezel	
LCD Panel	Display Type	15.6" WXGA TFT LCD display with LED backlight
	Brightness (cd/m ²)	300 nits
	Resolution	1366 x 768
Main System	CPU	Intel® Celeron® processor J1900 4 cores
	System Memory	1 x 204-pin DDR3L-1066/1333 SO-DIMM, up to 8GB
	BIOS	AMI UEFI BIOS
	Storage	1 x Half-Slim SSD 1 x CFast™ or mSATA
	Watchdog Timer	255 levels, 0 ~ 255 sec.
	Onboard Graphics	Integrated Intel® GFX

Specifications

I/O Connector	2 x RS-232/422/485 (default RS-232 COM 1/2) 1 x RS-232 (COM3 w/ isolated 4KV) 2 x 10/100/1000 Mbps Ethernet (Intel® i210IT) 2 x USB 3.0 1 x Audio (Line-out)
Expansion Interface	1 x Full-size PCI Express Mini Card with mSATA 1 x Full-size PCI Express Mini Card with SIM slot
Touchscreen	Projected capacitive multi-touch or 5-wire flat resistive touch
Power Supply	1. AC version: medical grade 100-240 V AC-DC, 60 W power adapter 2. DC version: 9-36 VDC with terminal block
Dimensions	394.2 mm (15.53") (W) x 57 mm (2.25") (D) x 257.2 mm (10.13") (H)
Packing Dimensions	510 mm (20.09") x 190 mm (7.48") x 540 mm (21.26")
Weight (net/gross)	3.0 kg (6.61 lb)/4.5 kg (9.92 lb)
Environment	Operating temperature: 0°C ~ +40°C (32°F ~ +104°F, w/RAM thermal kit) Relative humidity: 20% ~ 90% @ 40°C; non-condensing Operation vibration: 2G, 10 ~ 500Hz, random for CFast™
Certificate	CE, FCC class B, EN 60601-1

* W.T.: Wide Temperature. All W.T. supported products have to be sorted by Axiomtek.

* The DC power source to be used with MPC153-834 must be galvanically isolated according to IEC60601-1 safety of medical devices!

Ordering Information

Standard

MPC153-834-PCT-J	15.6" WXGA fanless medical touch panel computer with Intel® Celeron® processor J1900, projected capacitive multi-touch screen, AC-DC 60 W power adapter (screw type connector), EMI class B and EN 60601-1 certified
MPC153-834-FR-J	15.6" WXGA fanless medical touch panel computer with Intel® Celeron® processor J1900, 5-wire flat resistive touch screen, AC-DC 60 W power adapter (screw type connector), EMI class B and EN 60601-1 certified
MPC153-834-PCT-DC	15.6" WXGA fanless medical touch panel computer with Intel® Celeron® processor J1900, projected capacitive multi-touch screen, 10-30 VDC power input (terminal block connector) and EN 60601-1 certified
MPC153-834-FR-DC	15.6" WXGA fanless medical touch panel computer with Intel® Celeron® processor J1900, 5-wire flat resistive touch screen, 10-30 VDC power input (terminal block connector) and EN 60601-1 certified

Optional

Wi-Fi + Bluetooth kit
Smart card reader kit
WALL mount kit

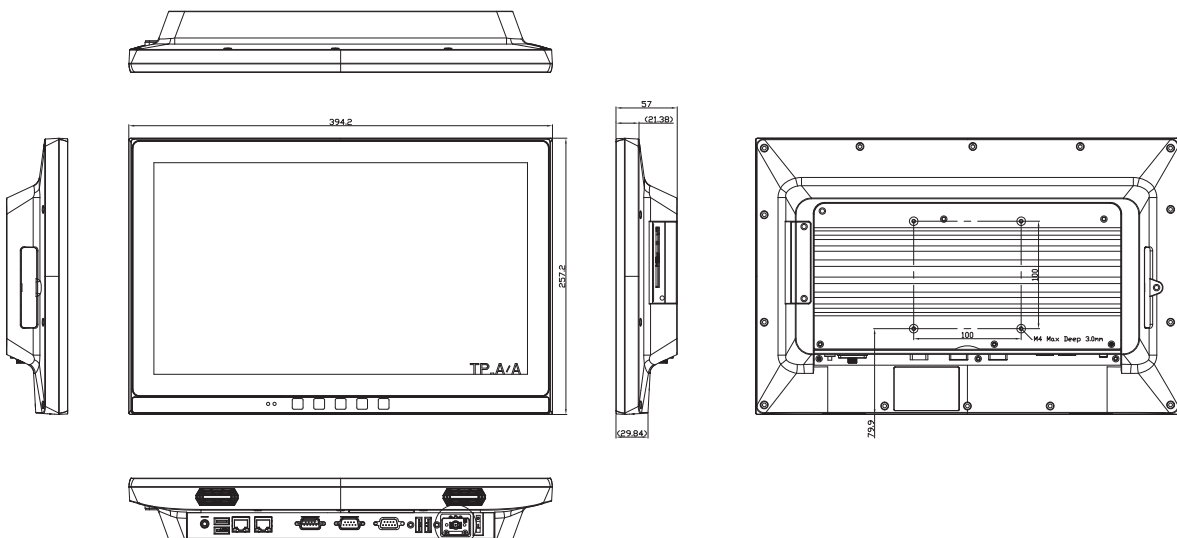
Optional EOS Installation

WES7
WES8

Optional OS Installation

Windows® 7
Windows® 8.1

Dimensions



Phoenix plug For DC version



Din-Jack For AC version

