



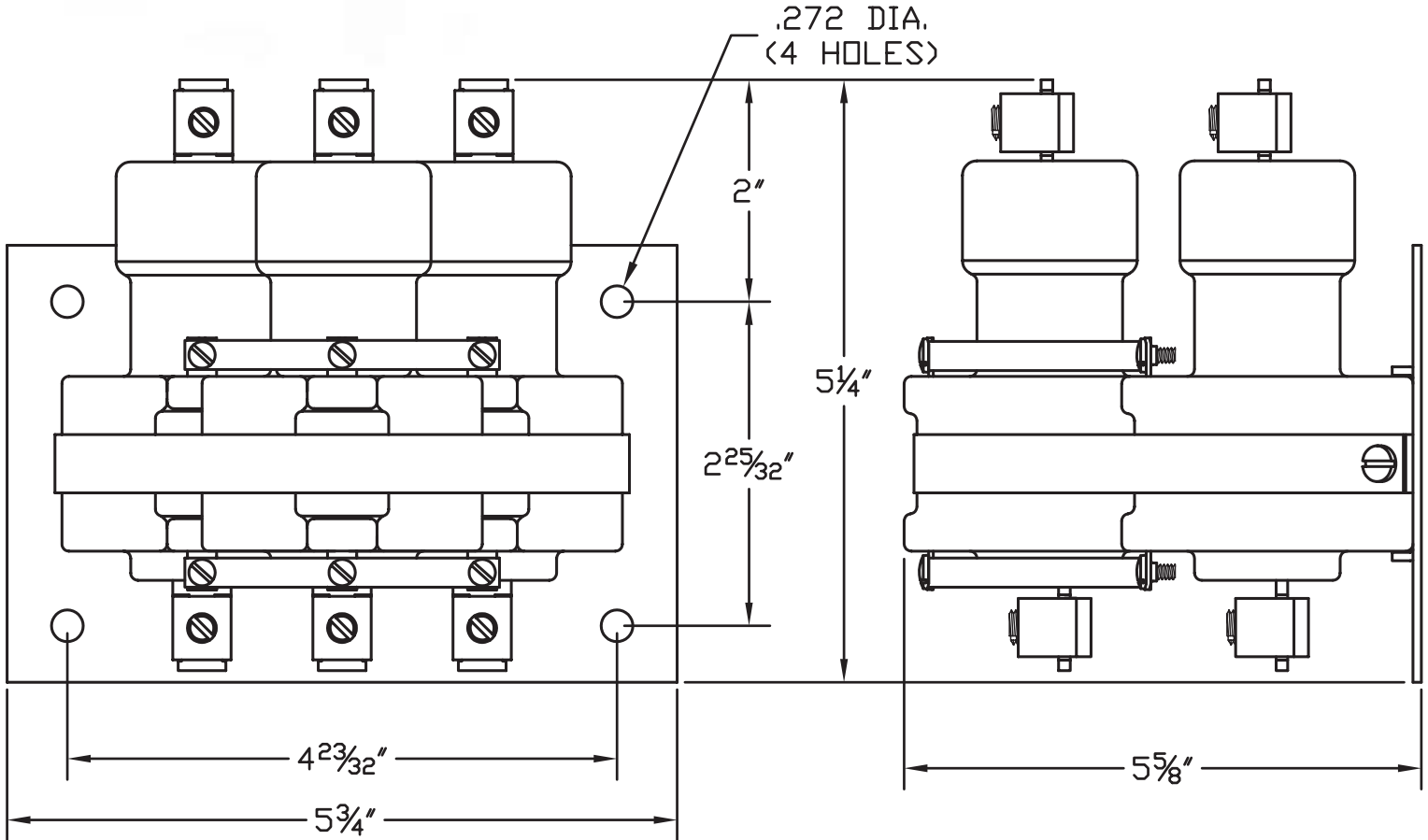
# MERCURY DISPLACEMENT INDUSTRIES, INC.

Post Office Box 710 - U.S. 12 East - Edwardsburg, Michigan 49112-0710

Phone (269) 663-8574 - Fax (269) 663-2924

(800) 634-4077

## 3100NO-120A



\* CONTACT RESISTANCE .001 ohms

\* DIELECTRIC WITHSTAND 2,500 VAC RMS

\* OPERATE TIME 45 MILLISECONDS

\* RELEASE TIME 60 MILLISECONDS

\* RATINGS:

CONTACTS: 100 AMPS @ 240 VAC RES.

80 AMPS @ 480 VAC RES.

COIL: 120V 50/60 Hz

CURRENT: 411 mA

RESISTANCE: 127  $\Omega$

VA: 49.2 WATTS: 21.3

\* TEMPERATURE RANGE -35° TO +85° C

\* COIL TERMINALS #6 BINDING HEAD SCREWS  
TORQUE TO 7-IN-LBS

\* LOAD TERMINALS 2-8 A.W.G. COMPRESSION TYPE  
TORQUE TO 45 IN-LBS

\* 3 POLE / SINGLE THROW

\* MAGNETICALLY ACTIVATED

\* LIFE CYCLE ENDURANCE TESTS: U.L. 508 @ 100,00 & CSA 22.2 @ 250,000 CYCLES

J.J.S. 05-21-08

rev. A 11-03-10

Contactors - Relays - Switches

<http://www.mdius.com>