

MT4B/5B/8B Series D45/D56/D86mm Bulb Type Tower Light



low-priced multi-layer signal light that features an outstanding vibration resistance and a long service life.

- Long life and reliability
- Prism-cut lenses for even light distribution
- Surface, Pole or Wall Mounted (Order poles & bases separately)
- Wire leads
- IP54 rated
- MT4B Approvals - CE, UL, RoHS
- MT5B/8B Approvals - UL, RoHS

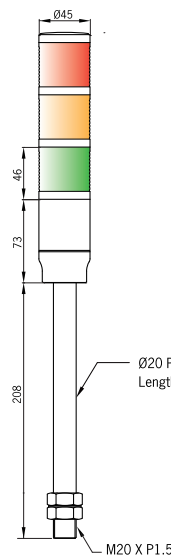
Replacement Parts * See page 34 for Replacement Bulbs product

Series	Rated Voltage	Bulb	Series	Rated Voltage	Bulb
MT4B	12V AC/DC	12V 5W	MT5B MT8B	12V AC/DC	12V 10W
	24V AC/DC	24V 5W		24V AC/DC	24V 10W
	110~120V AC	130V 5W		110~120V AC	120V 10W
	220~240V AC	240V 5W		220~240V AC	240V 10W

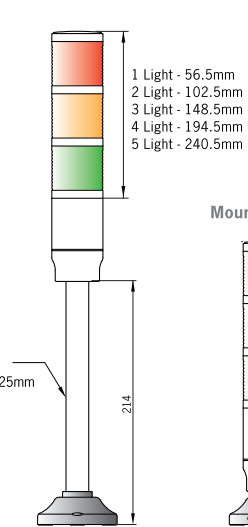
Dimensions < unit: mm >

► MT4B Series

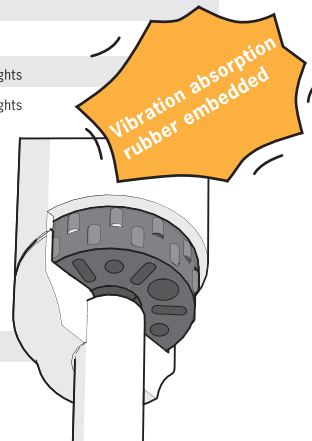
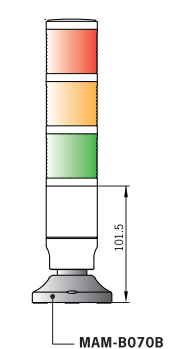
Mount M type



Mount P type



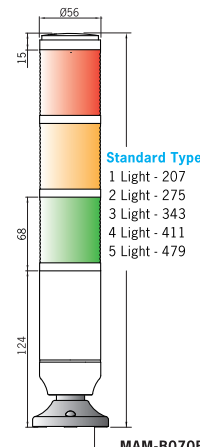
Mount G type



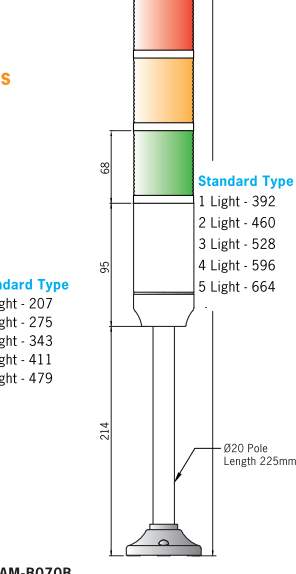
The unique vibration absorbing structure using new material reduces vibration and impact from all machines and devices, greatly extending bulb life

► MT5B Series

Mount G type

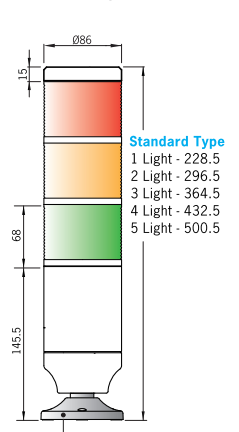


Mount P type



► MT8B Series

Mount G type



Ordering Information

MT5B 3 A L G - RY G

① ② ③ ④ ⑤ ⑥

1. Lens Diameter & Light Style

4B	45mm diameter - Steady Light
5B	56mm diameter - Steady Light
8B	86mm diameter - Steady Light

2. Number of Stacks

1	1 Light	4	4 Lights
2	2 Lights	5	5 Lights
3	3 Lights		

3. Power Supply

A	24V AC/DC
B	110~120V AC
C	220~240V AC
D	12V AC/DC

4. Connection

L	Lead Wires
---	------------

5. Mounting

G	No Pole + Mount Base
P	Pole + Mount Base
M	Pole + Screw Type

6. Lens Colors (top to bottom)

R	Red	B	Blue
Y	Yellow	C	Clear
G	Green		

Specifications

Power Supply	12V AC/DC, 24V AC/DC, 110~120V AC, 220~240V AC
Functions	Continuous
Tiers	May be ordered as 1, 2, 3, 4 or 5 tiers
Lens Colors	Red / Yellow / Green / Blue / Clear
Degree of Protection	IP 54

► MT4B Current Draw

Power Supply	12V	24V	110V AC	220V AC
1 Light	0.4A	0.2A	0.04A	0.02A
2 Lights	0.8A	0.4A	0.09A	0.04A
3 Lights	1.2A	0.6A	0.13A	0.06A
4 Lights	1.6A	0.8A	0.16A	0.08A
5 Lights	2.0A	1.0A	0.20A	0.1A

► MT5B/8B Current Draw

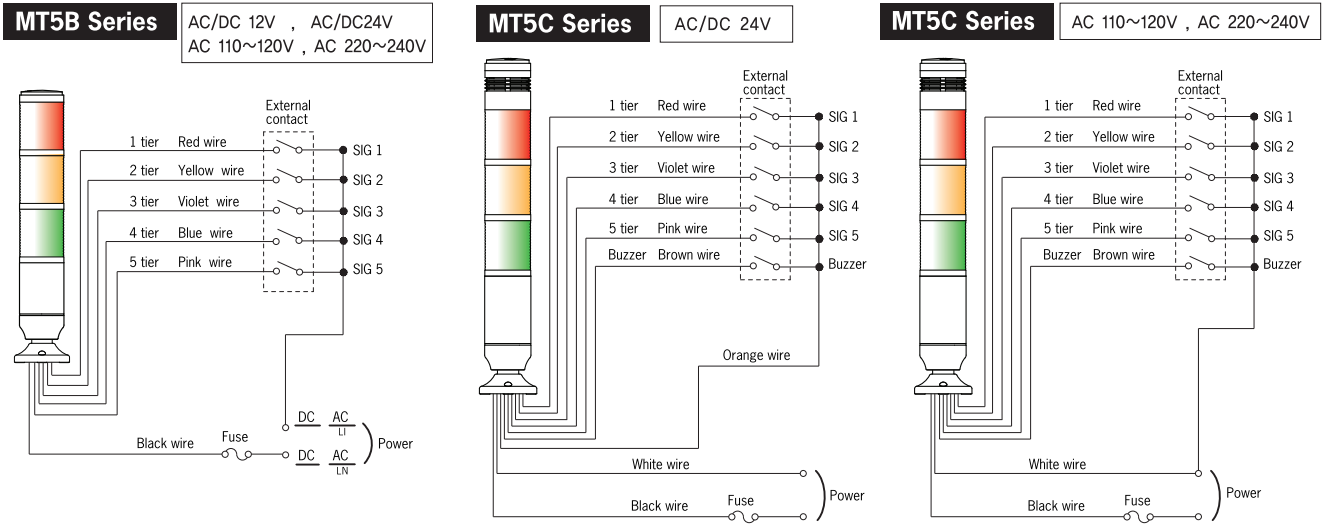
Power Supply	12V	24V	110V AC	220V AC
1 Light	0.8A	0.4A	0.08A	0.04A
2 Lights	1.7A	0.8A	0.16A	0.08A
3 Lights	2.5A	1.2A	0.24A	0.12A
4 Lights	3.3A	1.6A	0.32A	0.16A
5 Lights	4.2A	2.0A	0.4A	0.2A

See Page 35 - 37 for Mounting Options and Accessories.

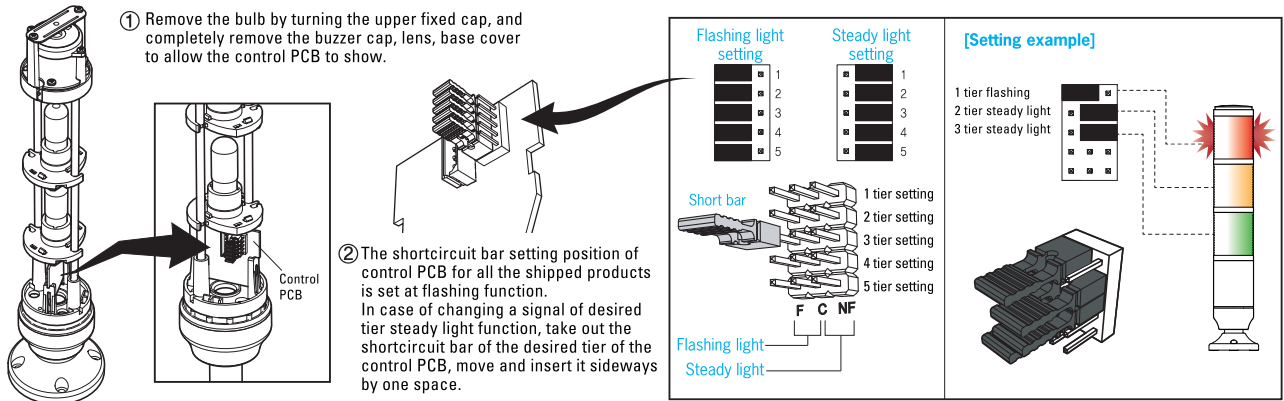
MT5C/8C & 4B/5B/8B Series Wiring Diagram

MT5C/8C

► Steady or Flashing Lights (with Buzzer)



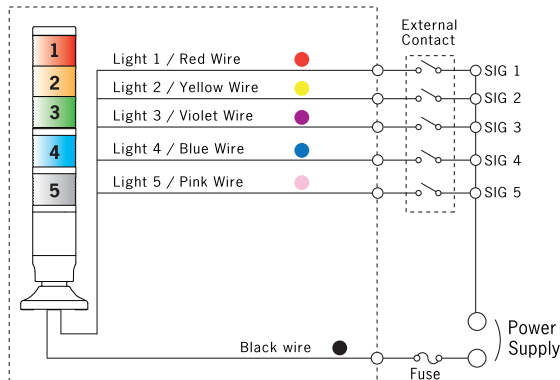
► MT5C/8C Series Steady/Flashing lights Changing Method



MT4B/5B/8B

► Steady Lights

12V AC/DC
24V AC/DC
110~120V AC
220~240V AC



* No polarity for DC applications.

MT4B-Bulb Replacement Method

Push to open the bulb housing fixed inside the mount using hands or tools. This allows easily replacing the bulb.

