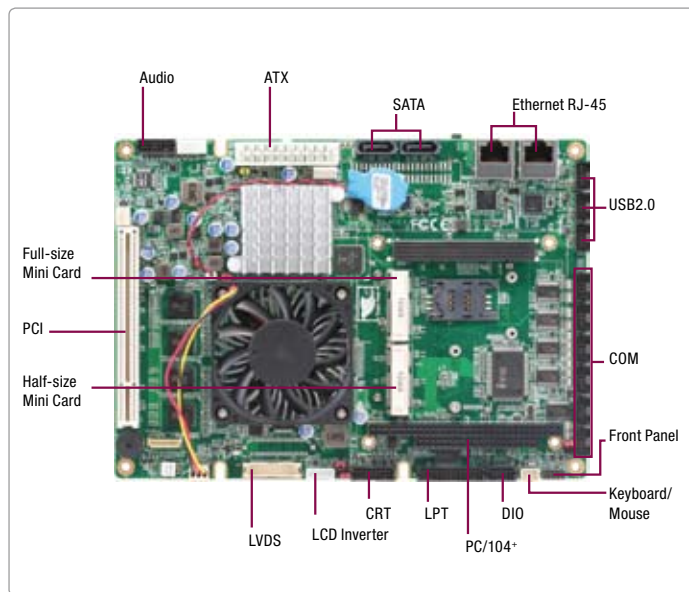


PCM-LN02

Compact Board with Onboard Intel® Atom™ N455/D525 Processor



Specifications

System	
Form Factor	5.25"
Processor	Onboard Intel® Atom™ N455/D525
System Memory	Onboard DDR3 667/800, Max. 4GB
Chipset	ICH8M
I/O Chipset	ITE 8712F/KX-L + Fintek F81216AD
Ethernet	Intel® i82567V(PHY) + Intel® i82583V 10/100/1000 Base-TX
BIOS	AMI 8MB
Wake on LAN	Yes
Watchdog Timer	255 Levels
H/W Status Monitoring	Monitoring system temperature, voltage, and cooling fan status
Expansion Interface	PCI, PCMCIA, PC/104+ (ISA + PCI), two Mini Card (1st: full size+SIM; 2nd: half size) on the top side
Battery	Lithium Battery
Power Requirement	DC-12V or ATX
Power Consumption (Typical)	Intel® Atom™ D525 1.8GHz, 0.1A@+5V, 1.56A@+12V
Board Size	8" x 5.75" (203 mm x 146 mm)
Gross Weight	1.2 lb (0.5 Kg)
Operating Temperature	32°F~ 140°F (0°C ~ 60°C)
Storage Temperature	-40°F~ 176°F (-40°C ~ 80°C)
Operating Humidity	0% ~ 90% relative humidity, non-condensing
MTBF (Hours)	60,000
Display	
	Supports CRT/LCD Simultaneous/dual view displays
Chipset	Intel® Atom™ processor integrated
Memory	Shared memory: 384MB/DVMT 4.0
Resolutions	Up to 1366 x 768, 18bpp for Single LVDS channel supporting resolution; Up to 2048 x 1536 @ 60Hz for Analog CRT display output resolution
LCD Interface	18-bit LVDS or 24-bit LVDS, TTL (optional)
I/O	
Storage	CompactFlash™ x1, SATA 3.0Gb/s x 2
Serial Port	RS-232 x 5, RS-422/485 x 1
Parallel Port	SPP/EPP/ECP
USB	USB2.0 x 6
PS/2 Port	Keyboard x 1, Mouse x 1
Digital I/O	Supports 8-bit (Programmable)
IrDA	—
Audio (Daughter Board)	—

Features

- Intel® Atom™ N455/D525 Processor
- Intel® ICH8M
- Onboard 2GB DDR3 Memory Optional Up To 4GB
- 10/100/1000Base-TX Ethernet x 2
- Integrated Graphic Supports 18-bit or 24-bit LVDS Panel or TTL (Optional)
- Speaker Out With 2W Amplifier (Wafer Box)
- SATA 3.0 Gb/s x 2, CompactFlash™ x 1, EIDE x 1 (Optional)
- USB2.0 x 6, RS-232 x 5, RS-232/422/485 x 1
- PC/104+ (ISA+PCI), PCMCIA (x1 Slot), Mini Card x 2 (1st: Full Size + SIM; 2nd: Half-size)
- +12V Only Operation With Optional ATX
- Optional TPM1.2



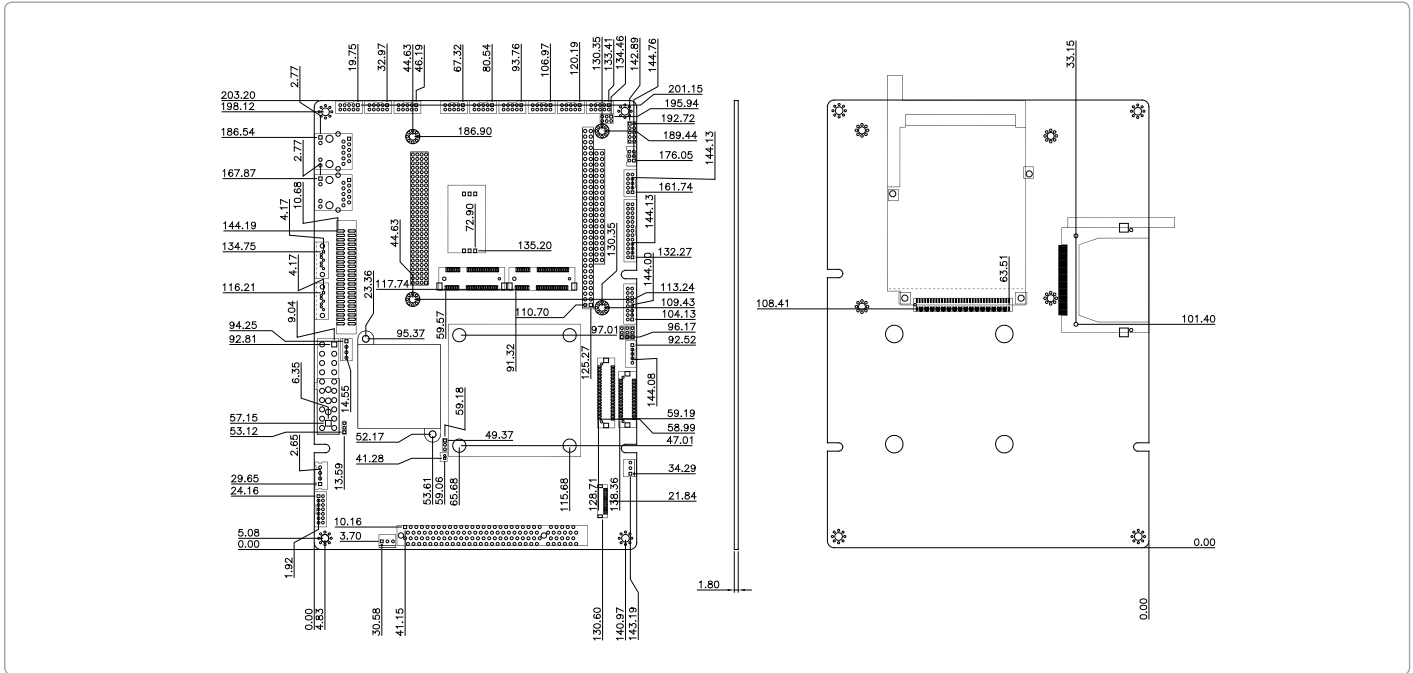
Packing List

- 9657666600
Jumper Cap
- 17592LN8T0
Cooler
- Product CD
- PCM-LN02

PCM-LN02

Dimension

Unit: mm



Ordering Information

Part Number	CPU	Fan/Fanless	Display	LVDS	Storage	LAN	USB	RS-232	RS-232/422/485	Expansion Slot	Power	Temp
TF-PCM-LN02-A10	Intel® Atom™ D525	Fan	CRT+LVDS	24b, 1CH	SATA x 2 CompactFlash™ x 1	GbE x 2	6	5	1	Mini Card x 1 Half Size Mini Card x 1 PCI slot x 1 PC/104+ x 1 SIM Card x 1 PCMCIA x 1	ATX	0°C ~ 60°C
TF-PCM-LN02-A10-01	Intel® Atom™ N455	Fanless	CRT+LVDS	24b, 1CH	SATA x 2 CompactFlash™ x 1	GbE x 2	6	5	1	Mini Card x 1 Half Size Mini Card x 1 PCI slot x 1 PC/104+ x 1 SIM Card x 1 PCMCIA x 1	DC12V	0°C ~ 60°C
TF-PCM-LN02-A10-02	Intel® Atom™ D525	Fan	CRT+LVDS	18b, 1CH	SATA x 2 CompactFlash™ x 1	GbE x 2	4	3	1	Mini Card x 1	ATX	0°C ~ 60°C
TF-PCM-LN02-A10-03	Intel® Atom™ N455	Fanless	CRT+LVDS	18b, 1CH	SATA x 2 CompactFlash™ x 1	GbE x 2	4	3	1	Mini Card x 1	DC12V	0°C ~ 60°C

Optional Accessories

- **1709100208**
USB Cable, Length 20cm
- **1700140510**
Audio Cable, Length 51cm
- **1701100206**
COM Port Cable, Length 20cm
- **1701260201**
Parallel Port Cable, Length 20cm
- **1709070500**
SATA Cable, Length 50cm
- **1701160201**
VGA Cable, Length 20cm
- **1702151200**
Onboard SATA Power Cable