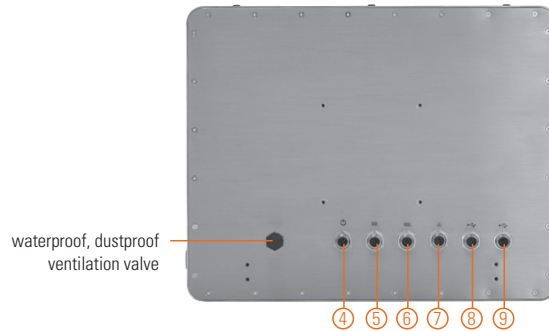
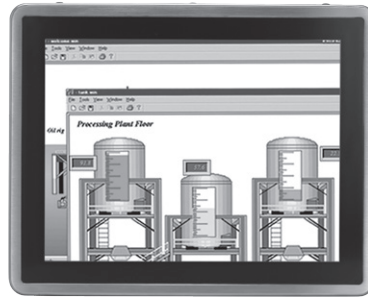
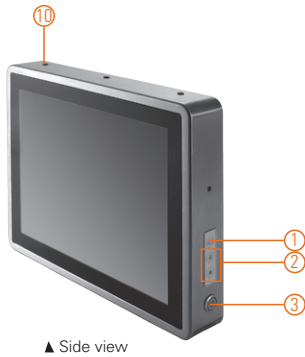


# GOT817-834

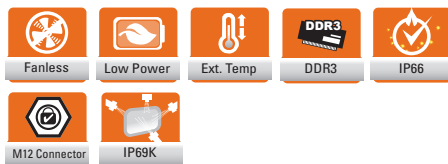
17" SXGA TFT IP66 & IP69K-rated Stainless Steel Fanless PCT (or Resistive Touch) Panel Computer with Intel® Atom® Processor E3827 and Flat Bezel Design (-20°C to +55°C)

## Features

- 17" SXGA TFT LCD flat bezel projected capacitive (or resistive) touch
- IP66/IP69K-rated (NEMA 4X) water/dust/corrosion-proof design
- Full stainless steel enclosure with type 316
- -20°C to +55°C wide operating temperature range
- Fanless system with Intel® Atom® processor E3827
- Wireless network connectivity
- 12 ~ 36 VDC wide range power input
- M12 type I/O connectors for harsh environments



1. Backlight switch
2. Brightness adjust
3. Power switch (ATX)
4. DC power connector (A-coded M12)
5. COM 1 (RS-232/422/485) (A-coded M12)
6. COM 2 (RS-232/422/485) (A-coded M12)
7. Ethernet (X-coded)
8. USB 2.0 x 2 (A-coded M12)
9. USB 2.0 x 2 (A-coded M12)
10. Wi-Fi/3G antenna x 3 (optional, only for RF version)



## Introduction

The 17-inch GOT817-834 is specially designed for food processing applications. Its IP66-rated stainless steel housing protects entire system from damage of water, powder and dust. It also outfits wide operating temperature range from -20°C to +55°C. Thus, this robust unit is best suited for extreme humidity, dusty or wet spaces in food factories or kitchens and more harsh applications.

### Full IP66 and IP69K Compliance

The GOT817-834 adopts a water/dust-proof housing design with five IP66-rated connectors, M12 I/O connectors and IP69K compliance that ensures the product's ability to resist ingress of high temperature and high pressure water. It passed entire system IP66 test by SGS, and verified salt mist test. Additionally, it was tested by a spray nozzle with high temperature water (+80°C), a flow rate of 14 ~ 16 L/min and a nozzle hold with distance 10 ~ 15 cm away from the device at angles of 0°, 30°, 60° and 90° for 30 seconds. The outstanding GOT817 stainless touch panel PC is qualified to meet harsh environment applications.

### Wide Temp. (-20°C to +55°C) & Anti-vibration (2G) Design

The rugged 17" industrial stainless touch panel PC GOT817-834 featuring fanless and noiseless design supports a wide operating temperature range from -20°C to +55°C. Besides, the patent of anti-vibration for SSD ensures system reliability and stability.

## Specifications

Enclosure	Stainless type 316	
LCD Panel	Display Type	17" SXGA TFT LCD
	Brightness (cd/m <sup>2</sup> )	350 nits
	Resolution	1280 x 1024
	Viewing Angle (H/V)	170°/160°
Main System	CPU	Intel® Atom® processor E3827 1.75 GHz (Bay Trail)
	Chipset	SoC Integrated
	System Memory	1 x 204-pin DDR3L-1333 SO-DIMM dual channel, up to 8GB
	BIOS	AMI with Axiomtek standard features; such as, SmartView, Ethernet Boot ROM (RPL & PXE), customer CMOS backup
	Storage	1 x 2.5" SSD 1 x CFast™
	Watchdog Timer	255 levels, 1 ~ 255 sec.
	Onboard Graphics	Integrated in Intel® GFX

## Specifications

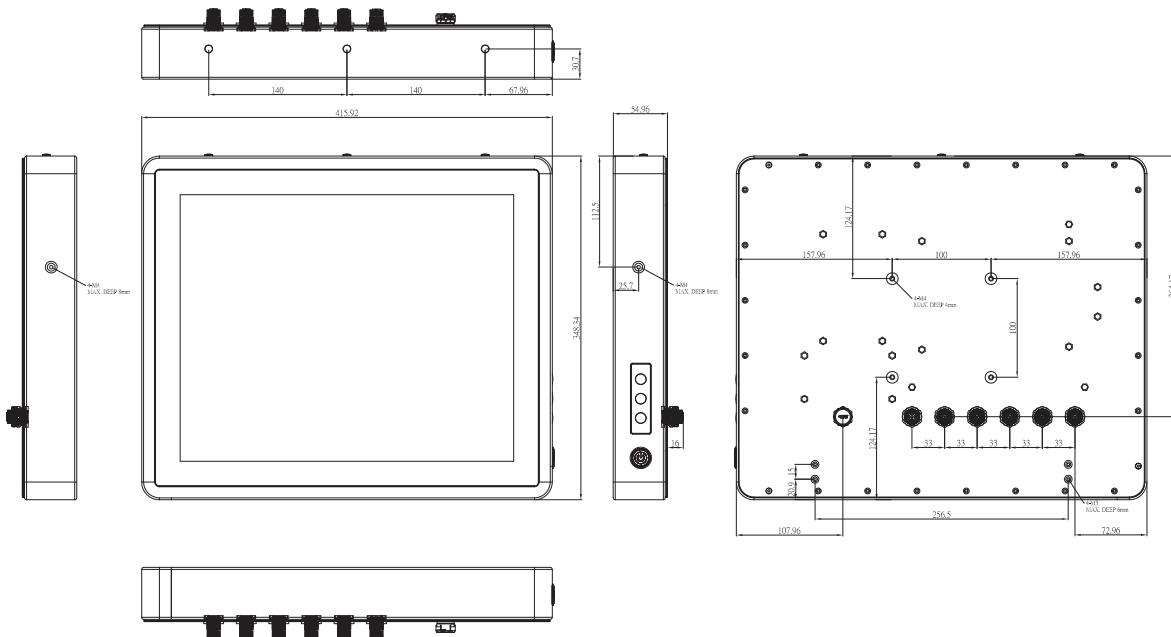
I/O Connector	2 x RS-232/422/485 (default RS-232, A-Coded) 4 x USB 2.0 (A-Coded) 1 x 10/100/1000 Mbps Ethernet (X-Coded)
Expansion Interface	2 x PCI Express Mini Card slot
Touchscreen	5-wire resistive touch or projected capacitive multi-touch
Power Supply	Power input 12 ~ 36 VDC
Power Consumption	50 W
Dimensions	415.92 mm (16.37") (W) x 54.96 mm (2.16") (D) x 348.34 mm (13.71") (H)
Packing Dimensions	250 mm (9.84") (W) x 585 mm (23.03") (D) x 615 mm (24.21") (H)
Weight (net/gross)	7.04 kg (15.52 lb)/10.3 kg (22.71 lb)
Environment	Operating temperature: -20°C ~ +55°C (-4°F ~ +131°F) Relative humidity: 10% ~ 95% @ 40°C, non-condensing Operation vibration: 2G, 5 ~ 500Hz, random for 2.5" SSD 2G, 5 ~ 500Hz, random for CFast™
Certificate	CE

\* W.T.: Wide Temperature. All W.T. supported products have to be sorted by Axiomtek.

## Optional Accessories

594B8122100E	Water-proof COM cable (1.8 m)
594B8122820E	Water-proof USB cable (1.8 m)
594B8152710E	Water-proof LAN cable (1.8 m)
50966D45010E	Adapter 24V 120W. M12 A-code 5P. LTE120ES
822B8120070E	GOT812 keyboard bracket (w/o keyboard)

## Dimensions



## Ordering Information

### Sunlight readable type

GOT817-834-C-DC	17" SXGA fanless IP66 & IP69K-rated stainless steel touch panel computer with Intel® Atom® E3827, projected capacitive touch screen, flat-bezel design and 12 ~ 36 VDC power input
GOT817-834-C-RF-DC	17" SXGA fanless IP66 & IP69K-rated stainless steel touch panel computer with Intel® Atom® E3827, projected capacitive touch screen, flat-bezel design, 12 ~ 36 VDC power input, and Wi-Fi or 3G
GOT817-834-R-DC	17" SXGA fanless IP66 & IP69K-rated stainless steel touch panel computer with Intel® Atom® E3827, 5-wire flat resistive touch screen, flat-bezel design and 12 ~ 36 VDC power input
GOT817-834-R-RF-DC	17" SXGA fanless IP66 & IP69K-rated stainless steel touch panel computer with Intel® Atom® E3827, 5-wire flat resistive touch screen, flat-bezel design, 12 ~ 36 VDC power input and Wi-Fi or 3G

\*Specifications and certifications may vary according to various options.

## Optional EOS Installation

WES 7
WE8S
Windows® 10 IoT

## Optional OS Installation

Windows® 7
Windows® 8/8.1
Windows® 10

Stainless Steel Panel Computers

0  
1  
2  
3  
4  
5  
6  
7  
8  
9

