

MRC 2300

8" Rugged Tablet PC with Intel® Atom™ Processor/ Daylight Readable Display/
5-Wires Resistive Touch Screen/ Wi-Fi/ Bluetooth/ GPS



Main Features

- Fanless Design with low power consumption processor
- Daylight readable display
- Wireless connectivity of WLAN/ WWAN/ Bluetooth
- WWAN support GSM/ GPRS/ HSDPA/ WCDMA (Optional)
- Integrated GPS receiver with built-in antenna
- Integrated laser barcode scanner (1D/ 2D) or HF RFID (Optional)
- Optional battery hot swap support
- IP54 compliance for dust and water protection
- Compliant with MIL-STD-810F

Product Overview

The MRC 2300, an 8" semi-rugged tablet PC, is an advance version of the MRC 2300. The MRC 2300 adapts the low power consumption processor, Intel® N450, and integrates an 8" daylight readable display and GPS receiver. It also provides the easy access of battery pack without screw and an option for battery hot swap. The MRC 2300 can be applied not only in logistical management and vehicle application, but also suits for the mobile engineers working at outdoor through vary wireless connectivity. It is built with the rugged design, compliant with MIL-STD-810F and IP54 rating, to withstand in the harsh environment.

Specifications

CPU Support

- Intel® Atom™ N450 1.6GHz processor 667MHz FSB

Chipset

- Intel® System Controller Hub ICH8M

Memory

- 1GB DDR2 SODIMM 667MHz, support up to 2GB (optional)

Storage

- 8GB solid state drive/SATA interface, support up to 64GB or 120GB
1.8" HDD/ SATA interface

Audio

- Intel® high definition audio
- AC '97 Compatible
- 2 x 2W built-in speakers
- 1 x external Mic-in and 1 x external Line-out
- 1 x Internal microphone

Display

- 8" TFT LCD with LED backlight
Resolution: 800 x 600 pixels (SVGA)
Luminance: 400 nits
Contrast ratio: 500
- 5-wires resistant touch screen
- Daylight readable display
- Auto dimming via ambient light sensor

I/O Interface

- 2 x USB 2.0 type A port, 1x mini USB 2.0 connector
- 1 x Mic-in
- 1 x Line-out
- 1 x 19V DC power input
- 1 x Docking connector

Communication

- IEEE 802.11 b/g/n Wi-Fi module with built-in antenna
- Bluetooth module class 2 v2.1 + EDR
- WWAN support of GSM/ GPRS/ HSDPA/ WCDMA (optional)

Data Capture

- GPS receiver with built-in internal antenna
- 2M pixel CMOS camera
- HF RFID reader compliant with ISO14443A/B and ISO 15693 (optional)
- 1D/ 2D laser barcode engine (optional)

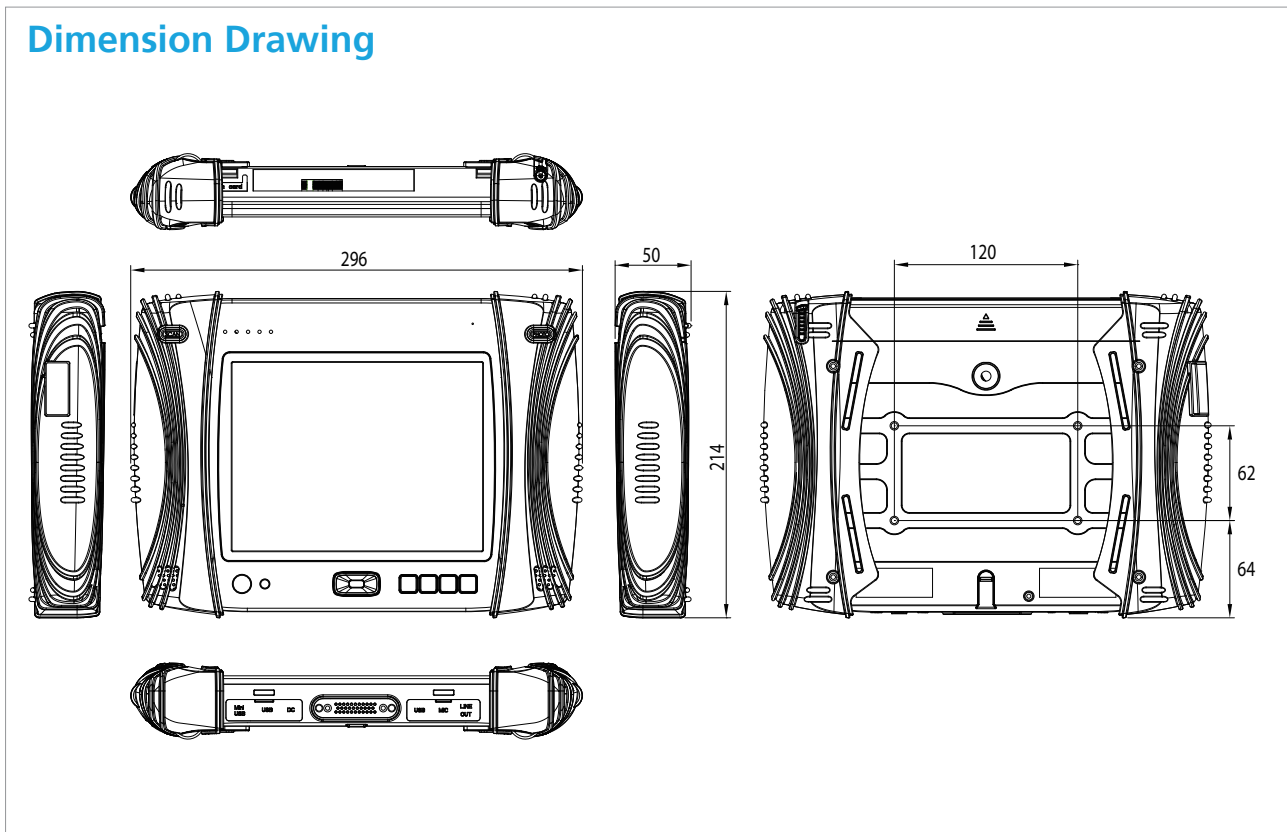
Indicators and Buttons

- Four color LED indicators - power on/off, Battery, WLAN and HDD)
- Four programmable function keys
- Five buttons – navigation key, power button, wireless switch button, camera shot button and barcode scanner button

Power Input

- Power input voltage: DC 19V/3.42A
- AC adapter: 100V-240V AC, 50Hz/60Hz
- Rechargeable lithium ion smart battery pack: 2600 mAh@ 11.1V, 28.86W; support hot swap (optional)

Dimension Drawing



Dimensions

- 296mm (W) x 214mm (H) x 50mm (D) with rubber
- 280mm (W) x 205mm (H) x 37mm (D) without rubber
- 1.44Kg with rubber; 1.2Kg without rubber

Enclosure

- Plastic housing (ABS + PC)
- Color: black

Environment

- Operating temperature: -20°C to 50°C
- Storage temperature: -30°C to 60°C
- Rel. humidity: 5% to 95%

Rugged Grade

- IP 54
- Compliance with MIL-STD-810F

Standards/ Certifications

- CE approval
- FCC Class B

Ordering Information

♦ MRC 2300-H (P/N: 10U00230000X0)

8" Rugged tablet PC with Intel® Atom™ 1.6GHz processor/ 120GB HDD/ 1GB memory/ daylight readable touch screen/ GPS/ Wi-Fi/ Bluetooth

♦ MRC 2300-S (P/N: 10U00230001X0)

8" Rugged tablet PC with Intel® Atom™ 1.6GHz processor/ 8GB SSD/ 1GB memory/ daylight readable touch screen/ GPS/ Wi-Fi/ Bluetooth

♦ Optional Features for MRC 2300

1D Laser Barcode Scanner: RIOTEC (P/N: 88U00220001X0)

2D Laser Barcode Scanner: Opticon (P/N: 88U00220003X0)

WWAN Module with internal antenna: Sierra MC8790V (P/N: 88U00210006X0)

HF RFID Reader 13.56MHz (P/N: 88U00220002X0)

Windows XP Pro for Embedded Software Kit (P/N: 88U00220004X0)

Windows Embedded Standard 2009 Software Kit (P/N: 88U00220005X0)

♦ Optional Accessories for MRC 2300

Vehicle Docking Station (P/N: 10UK0DOCK00X0)

Desktop Docking Station (P/N: 10UK0DOCK02X0)

Holding Bracket (P/N: 50501A0325X00)

4 slots Battery Charger (P/N: 10UK0BATT00X0)

Carry Case (P/N: 6019900015X00)

Spare Battery Pack (3S1P) (P/N: 4ZTSS26301X00)

Vehicle Cigarette Adaptor Charger (P/N: 7400060010X00)

USB to VGA Adaptor (P/N: 7500VGA004X00)

Power Cable (US) (P/N: 60233POW38X00)

Power Cable (EU) (P/N: 60233POW39X00)

Power Cable (UK) (P/N: 60233POW40X00)