



## Main Features

- Intel® Celeron® Processor N3150
- HDMI(4K Resolution) and VGA independent displays
- USB 3.0 support
- WLAN support
- Compact and fanless design
- Wide Temperature Support

## Product Overview

Powered by new generation Intel® Celeron® Processor N3150, NDiS B325 digital signage player can handle very rich multimedia contents. With Intel® processor low power consumption feature, NDiS B325 supports display output by HDMI and VGA ports. NDiS B325 is ideal as entry level digital signage player for advertising, hospitality and brand promotion application.

## Specifications

### CPU Support

- Intel® Celeron® Processor N3150 Quad Core 1.6GHz SoC processor, up to 2.08GHz

### Graphics

- Intel® HD Graphics

### Main Memory

- 1 x 204-pin SO-DIMM socket, supports DDR3L non-ECC, un-buffered memory up to 8G

### I/O Interface-Front

- 2 x USB 2.0
- 2 x USB 3.0
- 1 x DB9 for RS323
- 1 x Power LED

### I/O Interface-Rear

- 19V DC Power in
- 1 x VGA
- 1 x HDMI (4K Resolution)
- 2 x USB 3.0
- 1 x RJ45 with LEDs for 10/100/1000Mbps Ethernet

- 1 x Audio-out
- 1 x Mic-in

### Storage

- 1 x 2.5" SATA HDD Bay

### Dimensions

- 226.34 x 147.40 x 29.00 mm

### Power Supply

- 1 x External 65W AC/DC power adapter

### Expansion

- 1 x mini-PCIe slot

### Environment

- Operating temperature: -20°C~50°C
- Storage temperature: -25°C to 80°C
- Humidity: 10 to 90% (non-condensing)

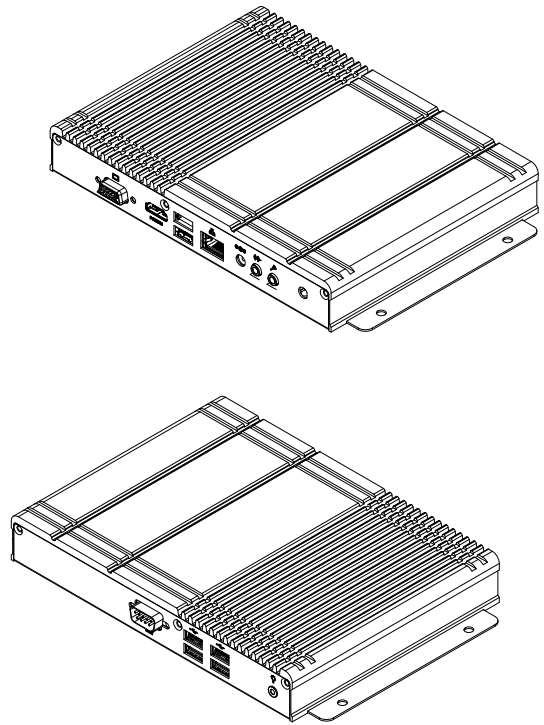
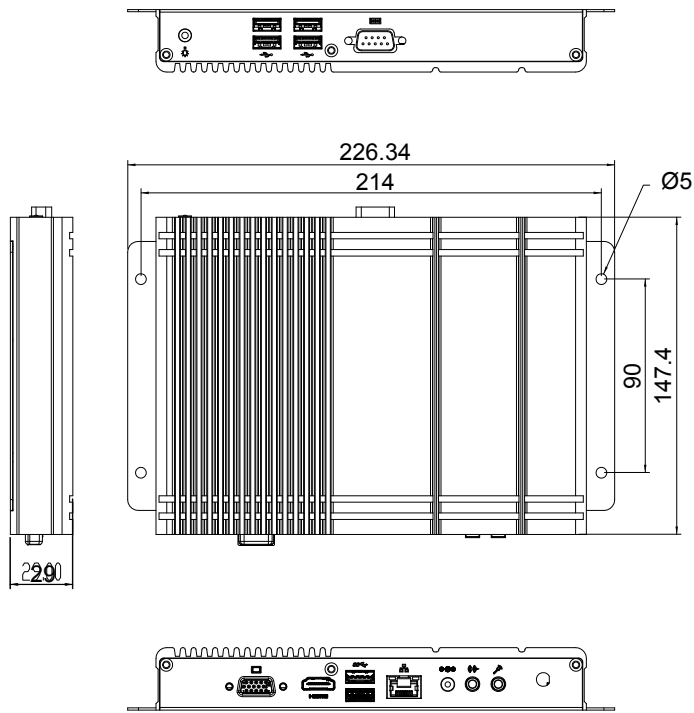
### Certification

- CE approval
- FCC Class A

### Operating System

- Win 7/WES7/Win 8/WE8S/Win 10/Linux

## Dimension Drawing



## Ordering Information

- **NDiS B325 (P/N: 10WOOB32500X0)**  
Intel® Celeron® N3150 Quad Core fanless system