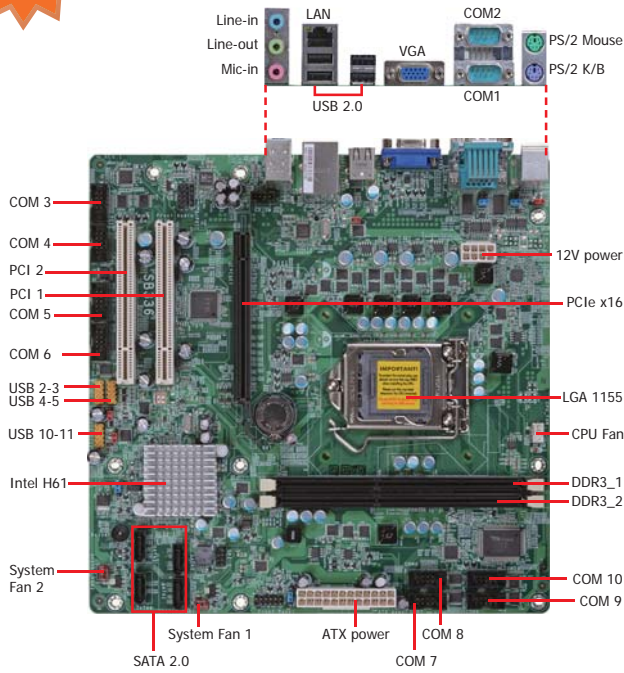


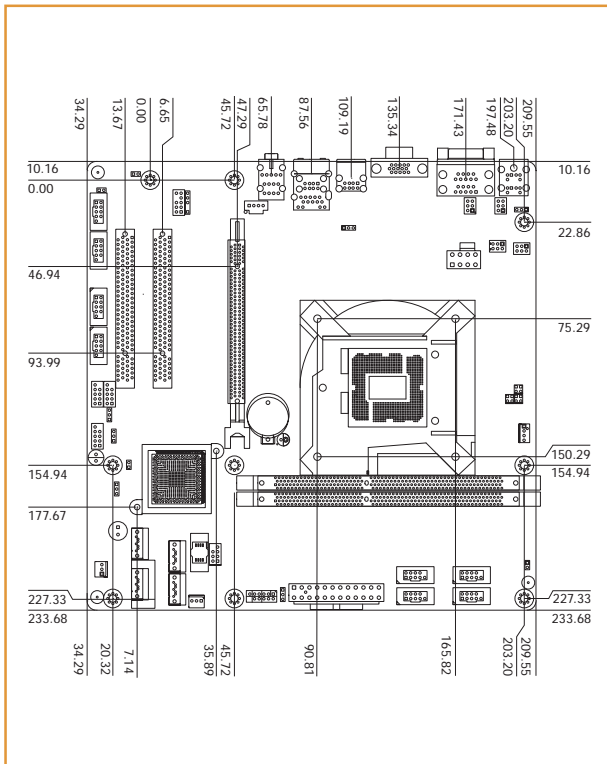
# DFI® SB336-Ni microATX



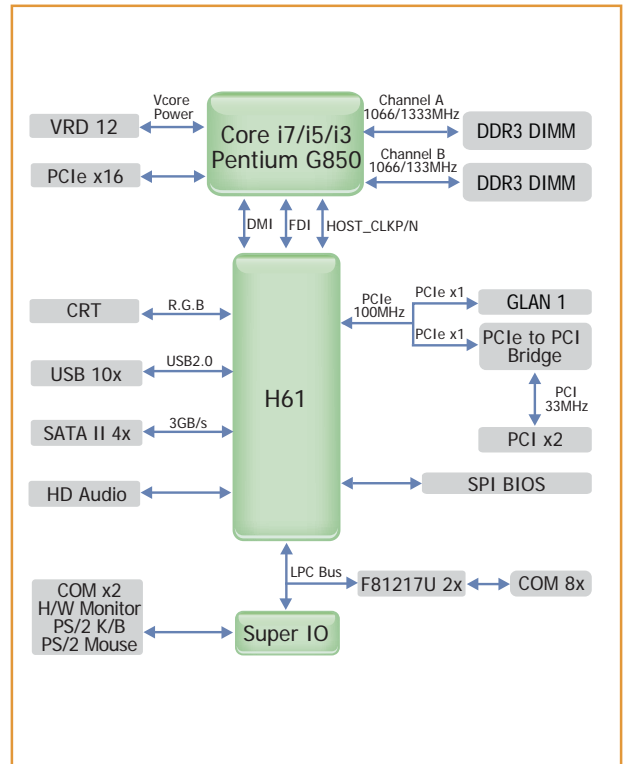
## Features

CHIPSET	Intel® H61
CPU	3rd Generation Intel® Core™ processors 2nd Generation Intel® Core™ processors
MEMORY	2 DDR3 DIMM up to 16GB
EXPANSION	1 PCIe x16, 2 PCI
DISPLAY OUTPUTS	1 VGA
LAN	1 Gigabit LAN port
COM	10 COM
USB	10 USB 2.0
STORAGE	4 SATA 2.0

## Mechanical Drawing



## Block Diagram



## Specifications

### PROCESSOR

- LGA 1155 socket for:
  - 3rd generation Intel® Core™ processors (22nm process technology)
    - : Intel® Core™ i7-3770 (8M Cache, up to 3.9GHz); 77W
    - : Intel® Core™ i5-3550S (6M Cache, up to 3.7GHz); 65W
    - : Intel® Core™ i3-3220 (3M Cache, 3.3GHz); 55W
    - : Intel® Pentium® G2120 (3M Cache, 3.1 GHz); 65W
  - 2nd generation Intel® Core™ processors (32nm process technology)
    - : Intel® Core™ i7-2600 (8M Cache, up to 3.8 GHz); 95W
    - : Intel® Core™ i5-2400 (6M Cache, up to 3.4 GHz); 95W
    - : Intel® Core™ i3-2120 (3M Cache, 3.3 GHz); 65W
    - : Intel® Pentium® G850 (3M Cache, 2.9 GHz); 65W
- New microarchitecture on 32nm process technology
- Intel® Advanced Vector Extensions (Intel® AVX) Instructions
- Intel® Turbo Boost Technology

### CHIPSET

- Intel® H61 Express Chipset

### SYSTEM MEMORY

- Two 240-pin DDR3 DIMM sockets
- Supports DDR3 1333/1600MHz (3rd generation processors)
- Supports DDR3 1066/1333MHz (2nd generation processors)
- Supports dual channel memory interface
- Supports up to 16GB system memory
- DRAM device technologies: 1Gb, 2Gb and 4Gb DDR3 DRAM technologies are supported for x8 and x16 devices, unbuffered, non-ECC

### EXPANSION SLOTS

- 1 PCIe x16 slot
  - Supports Gen 3.0 (3rd generation processors)
  - Supports Gen 2.0 (2nd generation processors)
- 2 PCI slots

### ONBOARD GRAPHICS FEATURES

- Intel® HD Graphics
- Display port: VGA
- VGA display resolution up to 2048x1536 pixels with 32-bit color at 75Hz
- Supports 6 Graphics Execution Units (EUs)
- Intel® Clear Video Technology
- DirectX Video Acceleration (DXVA) support for accelerating video processing

### ONBOARD AUDIO FEATURES

- Realtek ALC262 2-channel High Definition Audio
- DACs with 100dB SNR; two stereo DACs support 24-bit PCM format for stereo audio playback
- ADCs with 90dB SNR; three stereo ADCs support 20-bit PCM format for multiple input streaming
- S/PDIF audio interface

### ONBOARD LAN FEATURES

- 1 Realtek RTL8111DL Gigabit Ethernet Controller
- Integrated 10/100/1000 transceiver
- Fully compliant with IEEE 802.3, IEEE 802.3u, IEEE 802.3ab

### SERIAL ATA (SATA) INTERFACE

- 4 SATA 2.0 ports with data transfer rate up to 3Gb/s

### SUPER I/O FEATURES

- 1 Fintek F71879 I/O controller supports 2 RS232 COM ports
- 2 Fintek F81217 I/O controllers support 8 RS232 COM ports

### BIOS

- AMI BIOS
  - 32Mbit SPI BIOS

### REAR PANEL I/O PORTS

- 1 mini-DIN-6 PS/2 mouse port
- 1 mini-DIN-6 PS/2 keyboard port
- 2 DB-9 RS232 serial ports
- 1 DB-15 VGA port
- 1 RJ45 LAN port
- 4 USB 2.0/1.1 ports
- Mic-in, line-in and line-out jacks

### I/O CONNECTORS

- 3 connectors for 6 external USB 2.0/1.1 ports
- 8 connectors for 8 external RS232 serial ports
- 1 front audio connector for line-out and mic-in jacks
- 1 S/PDIF connector
- 1 CD-in connector
- 4 Serial ATA ports
- 1 24-pin ATX power connector
- 1 8-pin 12V power connector
- 1 chassis intrusion connector
- 1 front panel connector
- 3 fan connectors

### ENERGY EFFICIENT DESIGN

- Supports ErP Lot6 power saving (optional)
- Supports ACPI
- System Power Management
- Wake-On-Events include:
  - Wake-On-PS/2 KB/Mouse
  - Wake-On-USB KB/Mouse
  - Wake-On-LAN
- RTC timer to power-on the system
- CPU stopped clock control
- AC power failure recovery

### DAMAGE FREE INTELLIGENCE

- Monitors CPU/system temperature and overheat alarm
- Monitors VCore/5V/3.3V/V\_DIMM/12V/5VSB voltages and failure alarm
- Monitors CPU/system fan speed and failure alarm
- Read back capability that displays temperature, voltage and fan speed
- Watchdog timer function

### POWER CONSUMPTION

- 103.85 W with i7-2600 at 3.40GHz and 2x 1GB DDR3 DIMM

### TEMPERATURE

- Operating: 0°C to 60°C
- Storage: -20°C to 85°C

### HUMIDITY

- 10% to 90%

### DIMENSIONS

- microATX form factor
- 244mm (9.6") x 244mm (9.6")

### CERTIFICATIONS

- CE
- FCC Class B
- UL
- RoHS

## Packing List

- 1 SB336-Ni motherboard
- 2 Serial ATA data cables
- 2 USB port cables (with bracket)
- 2 COM port cables (with bracket)
- 1 I/O shield
- 1 DVD
- 1 QR (Quick Reference)

## Optional Items

- USB port cable
- COM port cable
- Serial ATA data cable
- Serial ATA power cable
- I/O shield