

PME Series

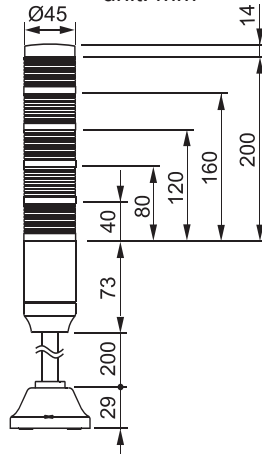


Ø45mm LED Steady & Flashing

- Long life and reliability
- Prism-cut lenses for even light distribution
- Surface, Pole or Wall Mount (Order poles & bases separately)
- Wire leads

Dimensions

unit: mm



Specifications

Power Supply		12V AC/DC	24V AC/DC	90-240VAC
Current Draw	R	55 mA	30 mA	22 mA
	Y	70 mA	45 mA	25 mA
	G	40 mA	35 mA	25 mA
	B	36 mA	35 mA	25 mA
	C	40 mA	35 mA	25 mA
Flashing rate		Approx. 80 ± 5 flashes/min.		
Rating		IP 52		
Vibration		3mm at 10~55Hz		
Ambient Temp.		-15°C~40°C		
Ambient Humidity		45~85% RH		
Recommended Wire Size		1007 UL / 22 AWG		

Ordering Information

PME **F** - **5** **01** - **RYGBC**
 ① ② ③ ④

① Light Style		Steady
	F	Steady & Flashing
② Number of Stacks	1	1 Light
	2	2 Lights
	3	3 Lights
	4	4 Lights
	5	5 Lights
③ Power Supply	01	12V AC/DC
	02	24V AC/DC
	FF	90~240V AC
④ Lens Colors (top to bottom)	R	Red
	Y	Yellow
	G	Green
	B	Blue
	C	Clear

Replacement parts

LED	PMELED-4(□)	24V, 90~240V AC/DC
	PMELED-4(□)-12	12V AC/DC
Lens	PML-4(□)	—

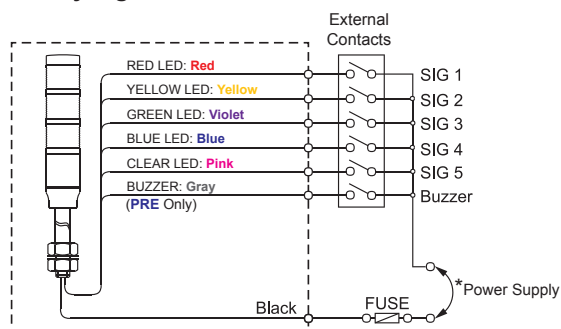
(□): indicates color of LED or Lens; R, Y, G, B or C

See page B1 - B2 for mounting options and accessories

Wiring Diagram

12V & 24V AC/DC

Steady Lights



* No polarity for DC applications.

90-240V AC

Steady Lights

