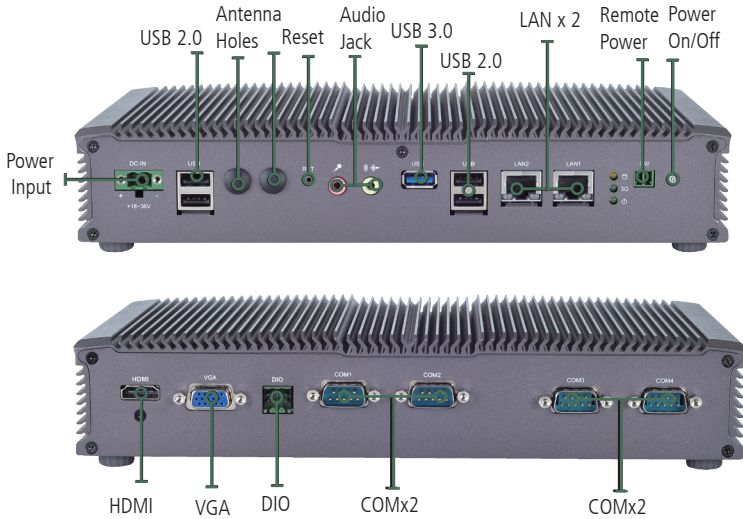


LEC-2530

Industrial Gateway Controller with Intel® Atom E3825 CPU (Bay Trail)



Overview

The LEC-2530 is an Industrial Gateway Controller with a low power profile. It is ideal for entry level display and signage applications.

Features

Onboard Intel® Atom™ E3825 Dual-core Bay Trail SoC

The new 22 nm microarchitecture SoC CPU offers double the performance and five times the energy efficiency of the previous generation.

DDR3L Support

The fully integrated SoC also supports DDR3/L (Low-voltage) which requires a lower voltage (1.35 V as compared to DDR3's 1.5 V), thus it has power and space efficiency.

Fanless Design

This IPC's lifespan has been extended by removing the most easily damaged component, the fan.

Integrated SIM Card Reader

Integrated in a mini-PCIe slot, the SIM card readers allow for users to enable 3G use for their IPC.

Rich I/O Interfaces

This product provides rich a I/O interface, includes 2 GbE LAN ports, 4 serial COM ports and 3 USB ports for communications. One of the USB ports supports the USB 3.0 standard, capable of transferring data at up to 5 Gbps.

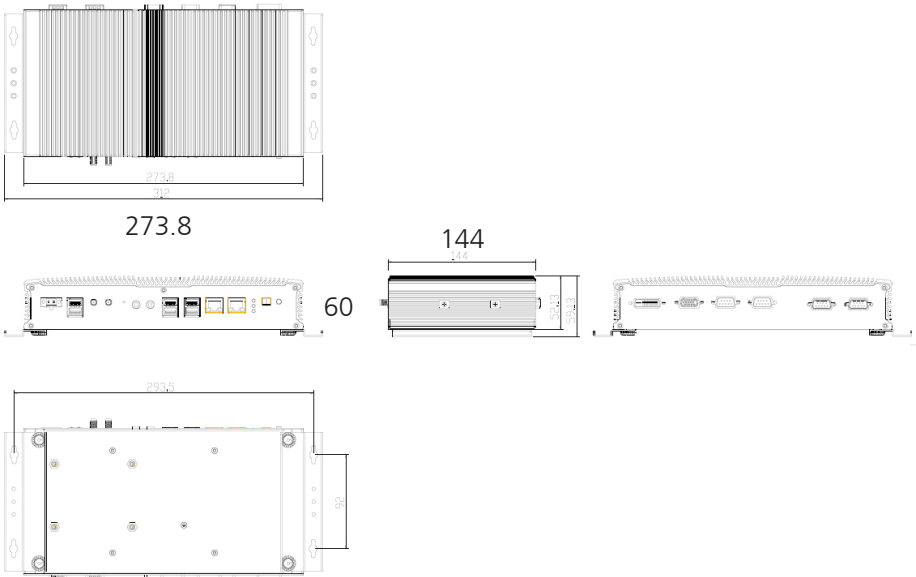
Easily Opened Chassis with No Tool Required

The bottom covering can be simply opened by removing 4 screws- often found in the product's footpads. This allows for easy installation or replacement of the internal CF, HDD, Memory and Mini-PCle devices.

Flexible Mounting

This product provides flexible mounting possibilities, including VESA and wall mounting options.

Dimensions 273.8 x 60 x 144 mm (10.78" x 2.36" x 5.67")



Multiple Display Ports

This platform comes with multiple video-out ports (VGA and HDMI) to allow easy integration with any signage setup.

Dust Proof Design

Solid chassis design with a fanless interior allows this product to be completely dustproof when installed correctly, insuring longevity of the product.

Preliminary Specifications

Processor Options		Intel® Atom™ E3825 (1.33 GHz) CPU
BIOS		AMI SPI Flash BIOS
System Memory	Sockets	1 x 204-pin SODIMM socket
	Technology	DDR3L 1067 MHz
	Max. Capacity	Up to 8 GB
USB		4 x USB 2.0, 1 x USB 3.0 compliant hosts: Type A connector
Serial Port		4 x RS-232/422/485, DB9 Male
Digital I/O		2 x DI or 2 x DO with +5V TTL Level
Expansion Bus		Mini-PCIe x2: a full-sized socket and the other with SIM card reader
OS Support		WES7E, Win 7 Pro FES, WE8S, WE 8.1 Industry Pro
Storage	HDD/SSD Support	1 x 2.5" HDD/SSD drive bay
	Expansion	1 x CF type I/II socket
Networking	LAN	2 x 10/100/1000Mbps, Autosensing, RJ-45
	Controller	Intel i210
Display	Graphics Controller	Intel® integrated Graphics Media Accelerator
	Display Interface	VGA x 1 (1600 x 1200), HDMI x 1 (1920 x 1080)
Audio	Audio Controller	Audio Codec realtek ALC886 HD Audio, Low Power Audio
	Connector	Audio I/O for mic-in and line-out with phone jack connectors
LEDs		Power, HDD active, 3G active
Physical Characteristics	Housing	Top cover is Aluminum extrusion for main heat dissipation
	Weight	2 kg
	Dimensions (WxHxD)	273.8 x 60 x 144 mm (10.78" x 2.36" x 5.67")
	Mounting Options	VESA and wall mount
Environment	Operating Temperature	-20~55°C (with Industrial grade components)
	Storage Temperature	-20~70°C
	Ambient Relative Humidity (non-condensing)	5 to 95% (non-condensing)
Power	Input Voltage	DC+9-30V +/- 5% input with ATX power control
	Connector	2 pin terminal block
	AC Adapter	External AC/DC Adapter, 75W 19V/3.95A with Phoenix contact
Standards and Regulation	EMC	FCC/CE: Class A
	Green product	RoHS
Reliability	Alter tool	Built-in buzzer and RTC (real-time clock) with lithium battery backup
	Automatic Reboot Trigger	Watchdog Timer 1~255 level time interval system reset, software programmable

Ordering Information

LEC-2530

Fanless Industrial PC with Intel® Atom E3825 (1.33 GHz) CPU

Standard Accessories

080W1N0002001

SATA SSD/HDD cable w/ power

Optional Power Adapter and Cords

0P0W075190001

AC Power Adapter 75W 19V/3.95A with Phoenix contact

080W240318306

US Power Cord

080W240318305

Schuko (EU) Power Cord

080W240318301

UK Power Cord

080W240318307

China Power Cord

080W240318309

Japan Power Cord

Optional Mounting kit

098W000005000

Wall Mount 4

098W000009000

VESA Mount

098W000006000

Rack Mount

098W000007000

DIN Rail Mount