

FPC-3101

Robust Box PC with Intel® Atom™ N270 Platform



Features

- Ultra Low Power and Fanless Design
- Support Dual Independent Displays via Analog RGB, LVDS Port
- Support Outside Accessible CF Slot
- Wide Range DC Power Input
- Wide Operating Temperature (-20 ~ 70°C)
- Ultra Low Profile Enclosure
- Rugged Design for Shock/Vibration Protection
- Easy Installation/Maintenance

System

CPU	Soldered onboard Intel® Atom™ N270 1.6GHz CPU with 533MHz FSB
Memory	Soldered onboard 1GB DDR2-533 SDRAM
Chipset	Intel® 945GSE + ICH7M
Graphics	Integrated Intel® GMA950 GFx Core in 945GSE GMCH
ATA	1 x Serial ATA port with 150MB/s HDD transfer rate
LAN Chipset	2 x Realtek 8111 Gigabit Ethernet controllers
Watchdog Timer	1~255 levels reset

I/O

Serial Port	1 x RS-232 port with RJ-45 connector 2 x RS-232/422/485 selectable ports with RJ-45 connector
USB Port	6 x USB 2.0 ports
LAN	2 x RJ-45 ports for GbE
Video Port	1 x DB-15 female connector for Analog RGB 1 x LVDS connector, support dual channels 24-bit LVDS output
Audio	Mic-in/Line-out
Expansion Bus	1 x Mini-card slot

Environmental

Operating Temp.	-20 ~ 70°C (-4 ~ 158°F), ambient w/ air flow
Storage Temp.	-40 ~ 85°C (-40 ~ 185°F)
Relative Humidity	10 ~ 95% @ 40°C (non-condensing)
Vibration	3 Grms/5~500Hz/random operation
Shock & Crash	Operating 20G (11ms), Non-operating 60G with HDD Operating 40G (11ms), Non-operating 80G with CF/SSD Crash 100G (11ms)

Qualification

Certification	CE, FCC
----------------------	---------

Power Requirement

Power Input	DC 10~28V input (w/ 1 x 2-pin DC input terminal block)
Power Consumption	25W (Max.)

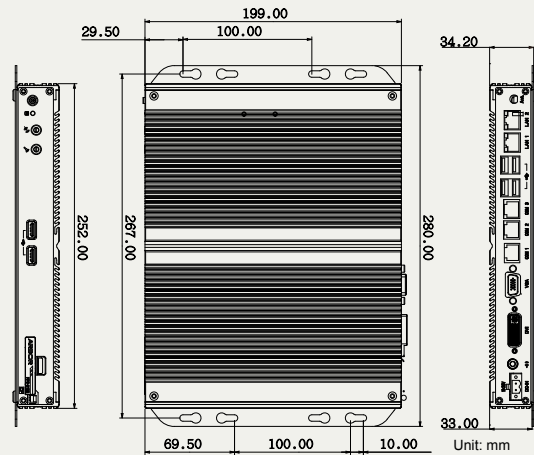
Storage

Type	1 x 2.5" drive bay for HDD/SSD 1 x CompactFlash Type II Socket which can be outside accessible Soldered onboard 4GB NANDrive (FPC-3101/4G only)
-------------	-------------------------------------------------------------------------------------------------------------------------------------------------------

Mechanical

Construction	Aluminum alloy
Mounting	Wall-mount/VESA-mount/Din rail mounting
Weight	1.89 kg (4.16 lb) (Bare-bone)
Dimensions (WxDxH)	252 x 199 x 33 mm (9.92" x 7.83" x 1.29")

Drawing



Ordering Information

FPC-3101	Barebone system w/o storage device
FPC-3101/4G	Barebone system w/ 4GB NANDrive
DRK-001	Din rail kit for FPC series
WMK-3100	FPC-3100 wall-mount kit
VMK-3100	FPC-3100 VESA-mount kit
LVDS-3101	FPC-3100 LVDS kit L= 300 mm
CBL-3100-COM	COM converter cable (1*RJ-45 to 1*DB-9) L=195 mm
PAC-B065W-1	65W AC/DC adapter kit
SSD-25080	Intel® 2.5" 80GB SATAII SSD kit

All specifications are subject to change without notice.