

EAGLE-8020

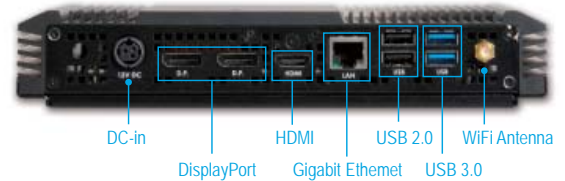
EAGLE-8020 system is designed for application of Digital Signage Media Player based on Mobile Ivy Bridge CPU with Panther Point Chipset QM77



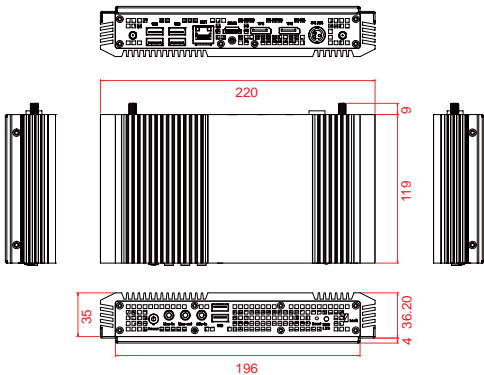
Front I/O



Rear I/O



Dimension



Specification

Board Form Factor	- EPIC 165 x 115mm
CPU	- EAGLE-8020-001: (fan-less) Ivy Bridge i7-3517UE (17W) CPU - EAGLE-8020-003: (fan-base) Ivy Bridge i5-3610ME (35W) CPU
Chip set (PCH)	- Panther Point (QM77)
Memory	- 8GB (2 x 4GB DDR3 1600 SODIMM)
Display Interface	- 1 x HDMI - 2 x DisplayPort
Storage	- 80GB mSATA SSD
Expansion Interface	2 x Mini PCI-E slot - 1 x HMC for Intel Centrino Advanced-N 6235 Mini-PCIe Half size (Wireless LAN (WiFi) and Bluetooth (BT) (default) - 1 x MC for 3G module (optional)
Audio	- 1 x Line-Out - 1 x Line-in - 1 x Mic-in
Network/Connectivity	- 1 x LAN : RJ45 Port - 1 x WiFi (Intel Centrino Advanced-N 6235)
I/O	- 4 x USB 2.0 - 2 x USB 3.0 - RS232 (option, internal pin header)
Power Adapter	- 150W AC Input: 90~264 V AC, ≤2A, 47Hz to 63Hz (± 1Hz), Output: 12 V DC
Mount	- VESA 75
Dimensions (WxDxH)	- 220.0 mm x 119.0 mm x 35.0 mm (chassis) - 165.0 mm x 115.0 mm (EPIC motherboard)
Operating System	- Windows 7 Professional 64bit

PACKING LIST

When unpacking the embedded system, make sure the following items have been shipped.

One Embedded system
One Quick Installation Guide
One Power adapter
One Power cord
One Driver CD
One HDMI cable
One Antenna

