



## Main Features

- 12.1" XGA TFT LCD monitor
- Compact and fanless design
- Built-in Intel® Atom™ D2550 processor
- Automatic/manual brightness control
- On screen F1 ~ F10 function key
- Wake on RTC/SMS/LAN
- Variety wireless communication options
- Robust design with Die-cast aluminum
- All enclosure compliant with IP65
- Wide range DC input from 9 ~ 36V
- Sunlight readable solution with 1300nits display

## Product Overview

VMC 4011-K, 12.1-inch all in one robust vehicle mount computer, is designed for the transportation, warehouses and material handling application. Adopting the latest high performance processor Intel® Atom™, it integrates the high resolution LCD with the brightness of 1300 nits and 5-wire resistive touch sensor. VMC 4011-K is extreme ruggedness, the aluminum enclosure compliant with IP65 is designed against vibration, dust, moisture and chemical impacts. It does not compromise with its space to scarify its functional features. It provides RS-232, USB 2.0, CFast, LAN and two mini-PCIe extensions for variety communication options. The latitude of mounting methods offers easy installation in the vehicles. Thus, the VMC 4011-K is an ideal solution for vehicle terminal on forklifts, straddle carriers, truck, mining vehicles, construction machines and marine.

## Specifications

### General

- Cooling System: Fanless
- Enclosure: Aluminum die casting
- Mounting: Support VESA 75/100, Panel and stand mounting
- Three SMA Type antenna connectors of BT/Wi-Fi/WWAN
- Power Input: 9 ~ 36VDC input with Ignition
- Power Consumption: 26W typical
- Ingress Protection: IP65
- Dimension: 340mm (W) x 262mm (H) x 75.1mm (D) (13.38" x 10.31" x 2.96")
- Weight: 3.5Kg, 7.72Lb

### LCD Panel

- 12.1-inch TFT LCD panel with LED backlight
- 1024 x 768 pixels (XGA)
- Brightness: 1300 cd/m<sup>2</sup> (typical, after touch screen)
- Contrast ratio: 600:1 (typical)

### Touch Screen Sensor

- 5-wire resistant touch
- Anti-glare coating surface
- Transmission rate: 81 ± 3%

### CPU & Chipset

- Intel® Atom™ D2550 1.86GHz
- Intel® ICH10R

### Memory

- One 204-pin DDR3 1333MHz SO-DIMM slot (up to 4GB)

### Expandable Storage

- 1 x CFast
- 1 x 2.5" SATA SSD bay

### Expansion

- 2 x mini-PCIe socket (PCIe + USB) for WLAN/mSATA option
- 1 x mini-PCIe socket (USB) x 1 for WWAN option
- 2 x OBDII module with J1939 for option

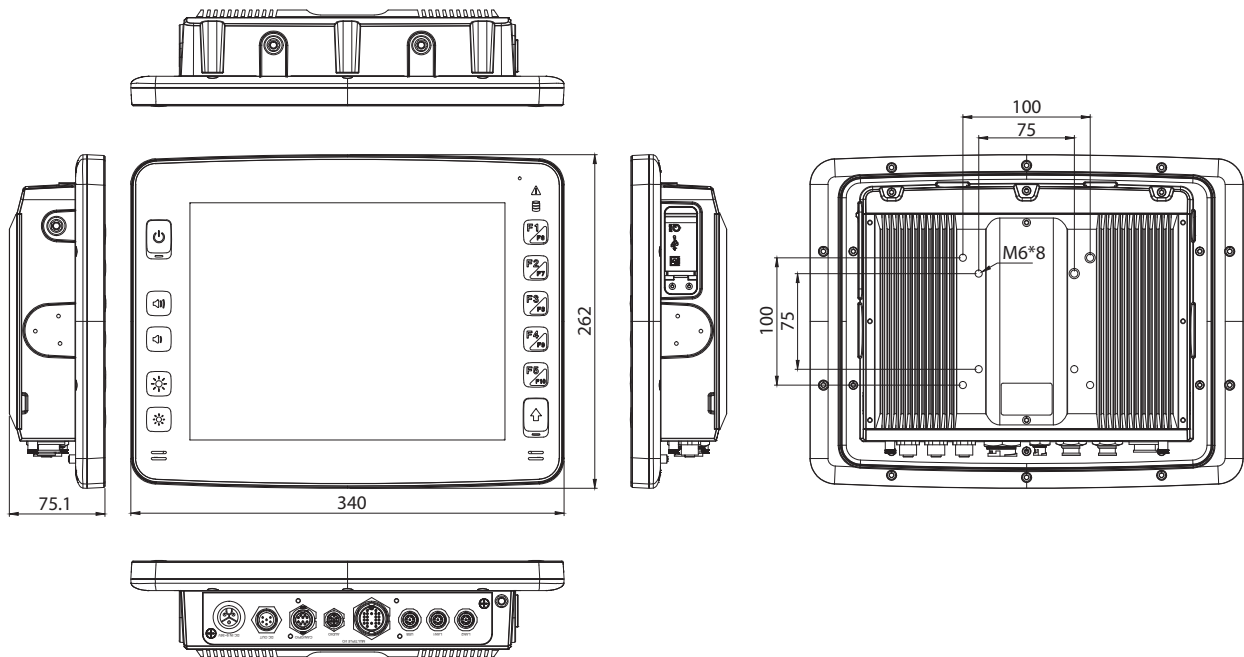
### I/O Interface-Front

- On screen display buttons x 5
  - Power on/off
  - Volume control (+/-)
  - Brightness control (+/-)
- Light sensor
- 4 x LED indicators (Power on/off, Storage, Warning, Shift)
- F1 ~ F10 functions key
- 2 x Built-in 2W speakers

### I/O Interface-Lateral

- 1 x CFast card slot
- System reset button
- USB 2.0 host type A connector

## Dimension Drawing



### I/O Interface-Bottom

- 1 x GPS Antenna SMA connector(On housing)
- 1 x Mic-in, 1 x Line out
- 2 x USB 2.0/Ethernet (Host)
- 2 x LAN interface for 10/100/1000Base-T
- 1 x 9 ~ 36V, 3-pin (Power, Ignition, Ground), 10A
- 1 x Circle Type 22-pin Multi-I/O Connector
  - 1 x COM (optional RS-232/422/485; default RS-232)
  - 1 x COM (RS-232 Tx/Rx)
  - 1 x COM RS-232 (with either 0, 5 or 12V @ 600mA on pin9)
- 1 x Circle Type 10-pin CONN
  - 1 x OBDII module (option)
  - 2 x DI and 2 x DO
  - 1 x Circle Type 6-pin CONN for 5V/12VDC-out

### Communication Module

- 1 x u-blox NEO-M8N module (support GPS/Gloness/QZSS/Galileo/Beidou)
- 1 x WLAN and Bluetooth combo module for optional
- 1 x WWAN module for optional

### Power Management

- Selectable boot-up & shut-down voltage for low power protection
- HW design ready for 8-level delay time on/off at user's self configuration
- Power on/off ignition, software detectable
- Support S4 suspend mode; wake on RTC/SMS

### Environment

- Operating temperatures: Ambient with air -30°C to 60°C
- Storage temperatures: -30°C to 70°C
- Relative humidity: 10% to 90% (non-condensing)

- Vibration (random): 2g @5 ~ 500Hz  
Operating: MIL-STD-810G, 514.6 Procedure 1, Category 4  
Storage: MIL-STD-810G, 514.6 Procedure 1, Category 24
- Shock  
Operating: MIL-STD-810G, Method 516.6, Procedure I, trucks and semi-trailers=20g  
Crash hazard: MIL-STD-810G, Method 516.6, Procedure V, ground equipment=75g

### Operating System

- WES2009
- WES 7E
- Win7 Pro Embedded

### Standards/Certifications

- CE approval, FCC Class B
- CE EN 60950-1 LVD

## Ordering Information

- **VMC 4011-K (P/N: 10VC0401100X0)**  
12.1" rugged vehicle mount computer with Intel® Atom™ D2550, 2G RAM, touch screen, IP65 and Sunlight readable
- **Bundle Accessories**  
SSD bracket and screws, GPS antenna (5M), Power connector, Driver CD
- **Optional Accessories**

Part No.	Description
6030000047X00	Circle Type 22-pin, Multi-I/O Cable
603LAN0001X00	External M12 to LAN Cable
603USB0001X00	External M12 to USB Cable