

# TREK-CAM Series

## Anti-vandal Rear View Camera (NTSC)



### Features

- Fisheye distortion correction
- 1/3" Format Camera
- Sony CCD image
- DC Power Source: DC12V
- 600TV lines resolution
- Automatic Gain Control
- Aluminum Die-Cast Chassis
- Compact, Solid-state Body in Lightness
- IR LED / Auto turn by photo diode sensor
- View Angle: H:122° V:91°
- Class IP68 Weatherproof

### Specifications

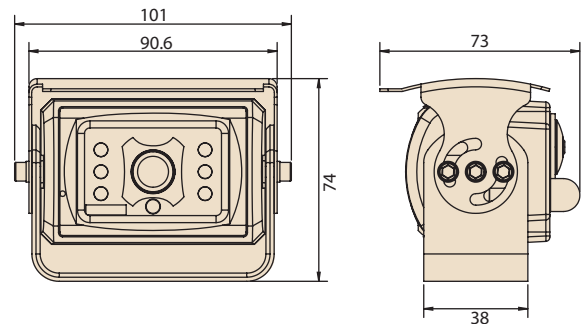
Pick up Device	device 1/3" interline transfer CCD
Total Pixels	537(H) x 505(V)
Effective Pixels	pixels 811(H) x 508(V)
Resolution	650 TV lines
Synchronization	Internal
Scanning System	2:1 Interlace
S/N Ratio	More than 48 dB (AGC OFF)
Electronic Shutter	Auto 1/60 (1/50) ~1/100,000 sec.
Min. Illumination	0Lux (F2.0) with IR LED ON
Video Output	Composite 1.0 Vp-p / 75 ohm
Fisheye Distortion Correction	Yes
AGC	ON
Aperture Correction	Yes
IR Operation	range <math>9\pm 3</math> Lux ON ; >math>9\pm 3</math> Lux OFF
LED Angle	4 PCS 70° / 2PCS 50° total 6PCS LED
Lens Type	2.2mm / F2.0
View Angle	H:120° V:87.3° D:160°
Power Source	DC12V
Power Consumption	3W (IR ON)
Current	250mA (Max IR ON)
Dimension	90.6(W) x 74(H) x 73(D)mm
Weight	N.W./G.W.: 0.32kg / 0.63kg
Operation Temperature	-20 ~ 70° C (-4 ~ 158° F)
Storage Temperature	-30 ~ 80° C (-22 ~ 176° F)
Audio Output	700mV (10k OHM)
Mirroring function	Manual switch to normal or mirror
Weatherproof	IP68

### Packing Information

Item	QTY's
Anti-vandal Rear View Camera (NTSC)	1
Extension Cable	1
Screw Set	1
Mount-Kit	1
User Manual	1
Outer Box	1

### Dimensions

Unit: mm



### Ordering Information

Item	Specification
TREK-CAM-240-X1N3E	HS-CC200F w packing (NTSC)

# TREK-CAM Series

## Waterproof Audio CCD Camera



### Features

- 1/3" Sony CCD with 600TV lines resolution.
- Multi-positioning capability in single case design (left, right, or ceiling mount).
- Tilttable 5° angle supported by inclined base design.
- Anti-corrosion coating.
- IR Distance Viewing for 8M.
- Built-in audio.
- Wide range operating temperature.
- Vandal proof (option).
- Class IP68 Weatherproof

### Specifications

Pick up device	1/3" image sensor interline transfer Sony CCD
Total pixels	811(H) x 508(V)
Effective pixels	768(H) x 494(V)
Resolution	600 TV lines
Sync. System	Internal
S/N ratio	More than 50 dB (AGC OFF)
Electronic Shutter	Auto (1/60(1/50) ~ 1/100,000 sec.)
Min. Illumination	0.1 Lux color / F2.0 (50 IRE)
Frequency Horizontal	15.734 KHz
Frequency Vertical	60Hz
Lens Mount Type	Board lens 3.6mm F2.0 ; H:74.1 V:54.8 Board lens 2.5mm F2.0 ; H:100 V:85
DC power Source	DC 12V ± 10% 1A
Power consumption	3W(With IR LED)
Weight	N.W./G.W.: 0.3KG / 0.47KG
Dimension	68.1(W) x 69.5(H) x 87.4(D)mm
Operation Temperature	-10 ~ 70° C (14 ~ 158° F)
Storage Temperature	-20 ~ 70° C (-4 ~ 158° F)
Mirroring function	Mirror
Weatherproof	IP68
Microphone	Option
IR Distance	8M(6pcs IR LED)

### Ordering Information

Item	Specification
TREK-CAM-262-1N1E	Caravision HS-CC2149 w packing (NTSC/SidView/Mirror)
TREK-CAM-262-1N2E	Caravision HS-CC2149 w packing (NTSC/SidView/Normal)

### Dimensions

Unit: mm

